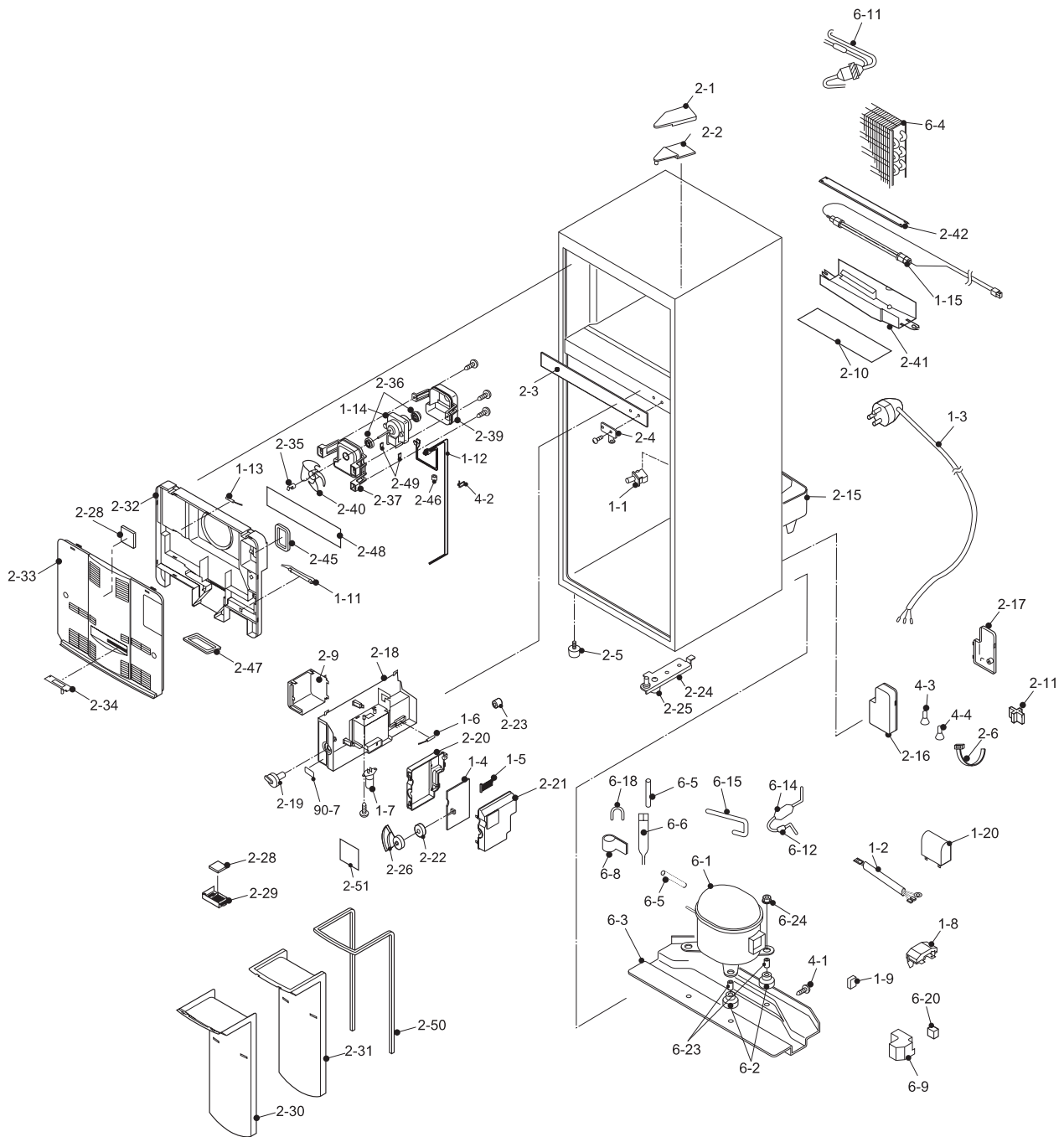


[13] SJ-420N-SL/BE/WH ELECTRIC,MECHANICAL,CYCLE PARTS



NO.	PARTS CODE	PRICE RANK	NEW MARK	PART RANK	DESCRIPTION
<b>[13] SJ-420N-SL/BE/WH ELECTRIC,MECHANICAL,CYCLE PARTS</b>					
1-1	QSW-PA092CBZA	AH			Door switch
1-2	FCNW-A927CBKZ	AR			Relay wire ass'y
1-3	QACC-A156CBZZ	AQ			Source cord
1-4	FPWB-A451CBKZ	BQ			Pwb l ass'y
1-5	FW-VZA157CBZZ	AP			Lead rc-box
1-6	RH-HXA097CBZZ	AT			R-thermistor
1-7	RLMP-A037CBZZ	BD			Lamp
1-8	RHOG-A211CBZZ	AW			Protector
1-9	RSTT-A179CBZZ	AR			Ptc relay
1-11	FFS-TA094CBKZ	AR			Fuse ass'y
1-12	FW-VZA156CBZZ	AH			Lead ev cover

[14] SJ-420N-SL/BE/WH DOOR, ATTACHMENT PARTS

