

# SHARP PARTS GUIDE

## MICRO COMPONENT SYSTEM MODEL **XL-MP333H**

XL-MP333H Micro Component System consisting of XL-MP333H (main unit) and CP-MP333H (speaker system).

## MODEL **XL-MP444H**

XL-MP444H Micro Component System consisting of XL-MP444H (main unit), CP-MP444HF (front speaker) and CP-MP444HSW (subwoofer).

### CONTENTS

- |                         |   |
|-------------------------|---|
| [1] INTEGRATED CIRCUITS | [10] OTHER CIRCUITRY PARTS                  |
| [2] TRANSISTORS         | [11] CHANGER MECHANISM PARTS                |
| [3] DIODES              | [12] CABINET PARTS                          |
| [4] FILTERS             | [13] SPEAKER BOX PARTS                      |
| [5] TRANSFORMERS        | [14] ACCESSORIES/PACKING PARTS              |
| [6] COILS               | [15] P.W.B. ASSEMBLY (Not Replacement Item) |
| [7] VIBRATORS           | [16] OTHER SERVICE PARTS                    |
| [8] CAPACITORS          |   |
| [9] RESISTORS           | ■ INDEX                                     |

Parts marked with "▲" are important for maintaining the safety of the set. Be sure to replace these parts with specified ones for maintaining the safety and performance of the set.

NO.	PARTS CODE	PRICE RANK	NEW MARK	PART RANK	DESCRIPTION
<b>[1] INTEGRATED CIRCUITS</b>					
iC101	VH i LM4733TA-1	AY			Power Amp.,LM4733TA
iC201	VH i K i A7805AP i	AF			Voltage Regulator,KIA7805API
iC202	VH i K i A7812AP i	AE			Voltage Regulator,KIA7812API
iC203	VH i K i A7808AP i	AF			Voltage Regulator,KIA7808API
iC205	VH i AN78L05/-1	AE			Constant Voltage Regulator,AN78L05
iC302	VH i LC72131/-1	AP			PLL (Tuner),LC72131
iC303	VH i LA1832S/-1	AN			FM IF Det./FM Mpx./AM IF,LA1832S
iC321	VH i LC72723M-1	AS			RDS Circuit,LC72723M
iC401	VH i LC78646E-1	AY			CD Servo,LC78646E
iC402	VH i LA6568/-1				Focus/Tracking/Spin/Sled Driver,LA6568
iC403	VH i LC78684E-1	AZ			MP3 DECODER,LC78684E
iC404	VH i K4S16E60-1				DRAM,K4S16E60
iC405	RH- i XA020SJZZ				Microcomputer,IXA020SJ
iC601	VH i LC75341M-1	AM			Signal Control,LC75341M
iC602	VH i NJM4558D-1	AH			Buffer Amp.,NJM4558D or AN4558 [MP444H Only]
iC603	VH i LC75341M-1	AM			Signal Control,LC75341M [MP444H Only]
iC701	RH- i X0058SJZZ	BH			System Microcomputer,IX0058SJ
<b>[2] TRANSISTORS</b>					
Q101	VS2SC3052F+-1	AD			Silicon,NPN,2SC3052 F+
Q102	VS2SC3052F+-1	AD			Silicon,NPN,2SC3052 F+
Q103	VS2SC3052F+-1	AD			Silicon,NPN,2SC3052 F+ [MP444H Only]
Q104	VS2SC3052F+-1	AD			Silicon,NPN,2SC3052 F+
Q105	VS2SA1235F+-1	AD			Silicon,PNP,2SA1235 F+
Q107	VSKTC3199GR-1	AB			Silicon,NPN,KTC3199 GR
Q108	VSKTC3199GR-1	AB			Silicon,NPN,KTC3199 GR
Q109	VSKTC3199GR-1	AB			Silicon,NPN,KTC3199 GR [MP444H Only]
Q110	VSKRA107M//-1	AE			Digital,PNP,KRA107 M
Q111	VSKRC107M//-1	AC			Digital,NPN,KRC107 M
Q112	VSKTC3199GR-1	AB			Silicon,NPN,KTC3199 GR
Q113	VSKTC3199GR-1	AB			Silicon,NPN,KTC3199 GR
Q114	VSKTC3199GR-1	AB			Silicon,NPN,KTC3199 GR [MP444H Only]
Q201	VSKTA1266GR-1	AB			Silicon,PNP,KTA1266 GR
Q202	VS2SC535-C/-1	AC			Silicon,NPN,2SC535 C [MP444H Only]
Q203	VSKTC3200GR-1	AC			Silicon,NPN,KTC3200 GR [MP444H Only]
Q204	VSKTA1266GR-1	AB			Silicon,PNP,KTA1266 GR [MP444H Only]
Q205	VSKTC3199GR-1	AB			Silicon,NPN,KTC3199 GR [MP444H Only]
Q209	VSKTC3199GR-1	AB			Silicon,NPN,KTC3199 GR
Q301	VS2SC380-O/-1	AC			Silicon,NPN,2SC380 O
Q321	VSKTC3199GR-1	AB			Silicon,NPN,KTC3199 GR
Q351	VSKRC104M//-1	AC			Digital,NPN,KRC104 M
Q360	VSKTA1266GR-1	AB			Silicon,PNP,KTA1266 GR
Q401	VS2SC3052F+-1	AD			Silicon,NPN,2SC3052 F+
Q402	VS2SC3052F+-1	AD			Silicon,NPN,2SC3052 F+
Q403	VS2SC3052F+-1	AD			Silicon,NPN,2SC3052 F+
Q404	VS2SC3052F+-1	AD			Silicon,NPN,2SC3052 F+
Q405	VS2SA1235F+-1	AD			Silicon,PNP,2SA1235 F+
Q406	VS2SC3052F+-1	AD			Silicon,NPN,2SC3052 F+
Q413	VS2SB562-C/-1	AD			Silicon,PNP,2SB562 C
Q414	VSKTC3199GR-1	AB			Silicon,NPN,KTC3199 GR
Q502	VSKRC107M//-1	AC			Digital,NPN,KRC107 M
Q503	VS2SB562-C/-1	AD			Silicon,PNP,2SB562 C
Q504	VSKTC3203Y/-1	AC			Silicon,NPN,KTC3203 Y
Q505	VSKTA1271Y/-1	AC			Silicon,PNP,KTA1271 Y
Q506	VSKTC3199GR-1	AB			Silicon,NPN,KTC3199 GR
Q507	VSKTC3199GR-1	AB			Silicon,NPN,KTC3199 GR
Q508	VSKTA1271Y/-1	AC			Silicon,PNP,KTA1271 Y
Q509	VSKTC3203Y/-1	AC			Silicon,NPN,KTC3203 Y
Q510	VSKTC3203Y/-1	AC			Silicon,NPN,KTC3203 Y
Q511	VSKTC3203Y/-1	AC			Silicon,NPN,KTC3203 Y
Q702	VSKRC102M//-1	AC			Digital,NPN,KRC102 M
Q703	VSKTC3199GR-1	AB			Silicon,NPN,KTC3199 GR
Q704	VSKTC3199GR-1	AB			Silicon,NPN,KTC3199 GR
Q705	VSKTC3199GR-1	AB			Silicon,NPN,KTC3199 GR
<b>[3] DIODES</b>					
D104	VHD1N4004//-1	AB			Silicon,1N4004 [MP444H Only]
D105	VHD1N4004//-1	AB			Silicon,1N4004 [MP444H Only]
D106	VHD1N4004//-1	AB			Silicon,1N4004 [MP444H Only]
D107	VHD1N4004//-1	AB			Silicon,1N4004 [MP444H Only]
D108	VHD1N4148//-1	AA			Silicon,1N4148
D109	VHD1N4004//-1	AB			Silicon,1N4004
D110	VHD1N4004//-1	AB			Silicon,1N4004 [MP444H Only]
△ D201	VHDT S6B04GM-1	AP			Silicon,TS6B04GM-1
△ D205	VHD1N4004//-1	AB			Silicon,1N4004
△ D206	VHD1N4004//-1	AB			Silicon,1N4004
△ D207	VHD1N4004//-1	AB			Silicon,1N4004
△ D208	VHD1N4004//-1	AB			Silicon,1N4004
△ D209	VHD1N4004//-1	AB			Silicon,1N4004
△ D210	VHD1N4004//-1	AB			Silicon,1N4004
△ D211	VHD1N4004//-1	AB			Silicon,1N4004
△ D212	VHD1N4004//-1	AB			Silicon,1N4004
△ D213	VHD1N4004//-1	AB			Silicon,1N4004 [MP444H Only]
△ D214	VHD1N4004//-1	AB			Silicon,1N4004

NO.	PARTS CODE	PRICE RANK	NEW MARK	PART RANK	DESCRIPTION
<b>[3] DIODES</b>					
	D215	VHD1N4004// -1	AB		Silicon,1N4004
	D217	VHD1N4148// -1	AA		Silicon,1N4148
△	D220	VHD1N4004// -1	AB		Silicon,1N4004
△	D221	VHD1N4004// -1	AB		Silicon,1N4004
△	D222	VHD1N4004// -1	AB		Silicon,1N4004
	D223	VHD1N4004// -1	AB		Silicon,1N4004
	D224	VHD1N4004// -1	AB		Silicon,1N4004
	D225	VHD1N4004// -1	AB		Silicon,1N4004
	D301	VHD1N4148// -1	AA		Silicon,1N4148
	D302	VHD1N4148// -1	AA		Silicon,1N4148
	D303	VHD1N4148// -1	AA		Silicon,1N4148
	D304	VHD1N4148// -1	AA		Silicon,1N4148
	D308	VHD1N4148// -1	AA		Silicon,1N4148
	D321	VHD1N4148// -1	AA		Silicon,1N4148
	D401	VHDMC2836// -1	AB		Silicon Epitaxial Double,MC2836
	D601	VHD1N4148// -1	AA		Silicon,1N4148
	D602	VHD1N4148// -1	AA		Silicon,1N4148
	D603	VHD1N4148// -1	AA		Silicon,1N4148
	D604	VHD1N4148// -1	AA		Silicon,1N4148
	D701	VHD1N4004// -1	AB		Silicon,1N4004
	D702	VHD1N4148// -1	AA		Silicon,1N4148
	D703	VHD1N4148// -1	AA		Silicon,1N4148
	D704	VHD1N4148// -1	AA		Silicon,1N4148
	D705	VHD1N4148// -1	AA		Silicon,1N4148
	D706	VHD1N4004// -1	AB		Silicon,1N4004
	D708	VHD1N4004// -1	AB		Silicon,1N4004
	D709	VHD1N4148// -1	AA		Silicon,1N4148
	D710	VHD1N4148// -1	AA		Silicon,1N4148
	D711	VHD1N4148// -1	AA		Silicon,1N4148
	D712	VHD1N4148// -1	AA		Silicon,1N4148
	LED701	VHPLP3052A+ -1	AC		LED,Red,LP3052A
	VD301	VHCSVC348S/ -1	AK		Variable Capacitance,SVC348S
	ZD101	VHEDZH06B2+ -1	AB		Zener,6.2V,DZH06B2+
	ZD201	VHEDZH3001+ -1	AB		Zener,30V,DZH3001+
	ZD202	VHEDZH06C2+ -1	AB		Zener,6.2V,DZH06C2+
	ZD351	VHEDZH05C2+ -1	AB		Zener,5.1V,DZH05C2+
	ZD502	VHEDZH06B2+ -1	AB		Zener,6.2V,DZH06B2+
	ZD701	VHEDZH03C3+ -1	AB		Zener,3.3V,DZH03C3+
<b>[4] FILTERS</b>					
	CF301	RF i LF0072AFZZ	AG		FM IF
	CF302	RF i LF0072AFZZ	AG		FM IF
	CF351	RF i LF0003AWZZ	AK		FM IF
	CF352	RF i LA0003SJZZ	AF		AM IF
<b>[5] TRANSFORMERS</b>					
△	T201	RTRNPA013SJZZ			Power (Main) [MP444H]
△	T201	RTRNPA019SJZZ			Power (Main) [MP333H]
△	T202	RTRNP0120SJZZ	AM		Power (Sub)
	T302	RC i LA0007SJZZ	AG		AM Antenna
	T306	RC i LB0009SJZZ	AG		AM OSC.
	T351	RC i Li0004SJZZ	AF		AM IF
<b>[6] COILS</b>					
	L103	VP-DH100K0000	AB		10 μ H,Choke [MP444H Only]
	L103A	VP-DH100K0000	AB		10 μ H,Choke [MP333H Only]
	L105	VP-DH2R2K0000	AB		2.2 μ H,Peaking
	L107	RC i LZ0024AWZZ	AC		3 μ H,Choke
	L108	RC i LZ0024AWZZ	AC		3 μ H,Choke
	L109	RC i LZ0024AWZZ	AC		3 μ H,Choke [MP444H Only]
	L321	VP-DH2R2K0000	AB		2.2 μ H,Peaking
	L341	RBLN-0001SJZZ	AE		Balun
	L342	VP-DH2R2K0000	AB		2.2 μ H,Peaking
	L351	VP-DH101K0000	AB		100 μ H,Choke
	L352	VP-DH101K0000	AB		100 μ H,Choke
	L353	VP-DH102K0000	AB		1 mH,Choke
	L354	RF i LL0001SJZZ	AF		Low Pass Filter
	L401	RBLN-A003SJZZ			Ferrite Bead,1 kohms
	L402	RBLN-A003SJZZ			Ferrite Bead,1 kohms
	L403	RC i LCA005SJZZ			0.82 μ H,Choke
	L404	RBLN-A001SJZZ	AB		Ferrite Bead,120 ohms
	L405	RC i LCA005SJZZ			0.82 μ H,Choke
	L406	RBLN-A003SJZZ			Ferrite Bead,1 kohms
	L407	RBLN-A003SJZZ			Ferrite Bead,1 kohms
	L408	RBLN-A001SJZZ	AB		Ferrite Bead,120 ohms
	L409	RBLN-A004SJZZ			Chock Coil,160 ohms
	L410	RBLN-A004SJZZ			Chock Coil,160 ohms
	L411	RC i LCA005SJZZ			0.82 μ H,Choke
	L412	RC i LCA005SJZZ			0.82 μ H,Choke
	L413	RC i LCA005SJZZ			0.82 μ H,Choke
	L502	VP-DHR82K0000	AE		0.82 μ H,Choke
	L503	VP-DHR82K0000	AE		0.82 μ H,Choke
	L601	VP-DH2R2K0000	AB		2.2 μ H,Peaking
	L602	RC i LCA002SJZZ	AB		10 μ H

XL-MP333H/XL-MP444H

NO.	PARTS CODE	PRICE RANK	NEW MARK	PART RANK	DESCRIPTION
<b>[6] COILS</b>					
L701	VP-DHR82K0000	AE			0.82 $\mu$ H,Choke
L702	VP-DHR82K0000	AE			0.82 $\mu$ H,Choke
L703	VP-DHR82K0000	AE			0.82 $\mu$ H,Choke
L704	VP-DHR82K0000	AE			0.82 $\mu$ H,Choke
L705	VP-DHR82K0000	AE			0.82 $\mu$ H,Choke
LF201	RCILZ0005SJZZ	AF			Line Filter
<b>[7] VIBRATORS</b>					
X321	RCRSP0005SJZZ	AF			Crystal,456 kHz
X351	RCRM-0007SJZZ	AG			VCO,456 kHz
X352	RCRSP0003SJZZ	AL			Crystal,4.5 MHz
X401	RCRSPA002SJZZ	AE			Crystal,16.9344 MHz
X402	RCRM-0008SJZZ	AG			Ceramic,8 MHz
X701	RCRSPA007SJZZ	AE			Crystal,32.768 kHz
X702	RCRM-0008SJZZ	AG			Ceramic,8 MHz
<b>[8] CAPACITORS</b>					
C101	VCKYCY1HB221K	AA			220 pF,50V
C102	VCKYCY1HB221K	AA			220 pF,50V
C103	VCKYCY1HB221K	AA			220 pF,50V [MP444H Only]
C104	RC-GZA105AF1H	AB			1 $\mu$ F,50V,Electrolytic
C105	RC-GZA105AF1H	AB			1 $\mu$ F,50V,Electrolytic
C106	RC-GZA105AF1H	AB			1 $\mu$ F,50V,Electrolytic [MP444H Only]
C107	RC-GZA106AF1H	AB			10 $\mu$ F,50V,Electrolytic
C108	RC-GZA106AF1H	AB			10 $\mu$ F,50V,Electrolytic
C109	RC-GZA106AF1H	AB			10 $\mu$ F,50V,Electrolytic [MP444H Only]
C110	VCKYCY1CF105Z	AB			1 $\mu$ F,16V
C111	VCKYCY1CF105Z	AB			1 $\mu$ F,16V
C112	VCKYCY1HB331K	AA			330 pF,50V [MP444H Only]
C112A	VCKYCY1HB331K	AA			330 pF,50V [MP333H Only]
C113	VCKYCY1HB331K	AA			330 pF,50V [MP444H Only]
C113A	VCKYCY1HB331K	AA			330 pF,50V [MP333H Only]
C117	RC-GZA476AF1A	AB			47 $\mu$ F,10V,Electrolytic
C119	VCKYPA1HF223Z	AB			0.022 $\mu$ F,50V
C120	VCKYPA1HF223Z	AB			0.022 $\mu$ F,50V
C121	VCKYPA1HF223Z	AB			0.022 $\mu$ F,50V [MP444H Only]
C122	VCKYPA1HF223Z	AB			0.022 $\mu$ F,50V
C123	VCKYPA1HF223Z	AB			0.022 $\mu$ F,50V
C124	VCKYPA1HF223Z	AB			0.022 $\mu$ F,50V [MP444H Only]
C125	VCFYFA1HA104J	AC			0.1 $\mu$ F,50V,Thin Film
C126	VCFYFA1HA104J	AC			0.1 $\mu$ F,50V,Thin Film
C127	VCFYFA1HA104J	AC			0.1 $\mu$ F,50V,Thin Film [MP444H Only]
C128	VCFYFA1HA104J	AC			0.1 $\mu$ F,50V,Thin Film
C129	VCFYFA1HA104J	AC			0.1 $\mu$ F,50V,Thin Film
C130	VCFYFA1HA104J	AC			0.1 $\mu$ F,50V,Thin Film [MP444H Only]
C131	VCKYPA1HB472K	AB			0.0047 $\mu$ F,50V
C132	VCKYPA1HB472K	AB			0.0047 $\mu$ F,50V
C133	VCKYPA1HB472K	AB			0.0047 $\mu$ F,50V [MP444H Only]
C134	RC-GZA336AF1C	AB			33 $\mu$ F,16V,Electrolytic
C135	RC-GZA107AF1V	AB			100 $\mu$ F,35V,Electrolytic
C136	RC-GZA107AF1V	AB			100 $\mu$ F,35V,Electrolytic
C137	VCKYCY1HB104K	AC			0.1 $\mu$ F,50V
C138	VCKYCY1HB104K	AD			0.1 $\mu$ F,50V
C139	RC-GZA476AF1H	AB			47 $\mu$ F,50V,Electrolytic
C140	VCKYCY1HB222K	AA			0.0022 $\mu$ F,50V
C141	RC-GZA335AF1C	AB			3.3 $\mu$ F,16V,Electrolytic
C142	RC-GZA476AF1C	AB			47 $\mu$ F,16V,Electrolytic [MP444H Only]
C148	VCCSPA1HL470J	AA			47 pF,50V [MP444H Only]
C149	VCCSCY1HL470J	AA			47 pF,50V
C150	VCCSPA1HL470J	AA			47 pF,50V
C151	VCKYPA1HF223Z	AB			0.022 $\mu$ F,50V [MP444H Only]
C152	VCKYPA1HF223Z	AB			0.022 $\mu$ F,50V
C153	VCKYPA1HF223Z	AB			0.022 $\mu$ F,50V
C154	VCKYPA1HF223Z	AB			0.022 $\mu$ F,50V [MP444H Only]
C155	VCKYPA1HF223Z	AB			0.022 $\mu$ F,50V
C156	VCKYPA1HF223Z	AB			0.022 $\mu$ F,50V
C157	VCKYPA1HB472K	AB			0.0047 $\mu$ F,50V [MP444H Only]
C158	VCKYPA1HB472K	AB			0.0047 $\mu$ F,50V
C159	VCKYPA1HB472K	AB			0.0047 $\mu$ F,50V
C160	VCKYCY1HB151K	AA			150 pF,50V [MP444H Only]
C161	VCKYCY1HB151K	AA			150 pF,50V
C162	VCKYCY1HB151K	AA			150 pF,50V
C201	RC-GZA687AF1A	AB			680 $\mu$ F,10V,Electrolytic
C202	RC-GZV228AF1C	AG			2200 $\mu$ F,16V,Electrolytic
C203	VCFYFA1HA104J	AC			0.1 $\mu$ F,50V,Thin Film
C204	VCFYFA1HA104J	AC			0.1 $\mu$ F,50V,Thin Film
C205	VCFYFA1HA104J	AC			0.1 $\mu$ F,50V,Thin Film
C206	VCFYFA1HA104J	AC			0.1 $\mu$ F,50V,Thin Film
C207	RC-GZV227AF1H	AC			220 $\mu$ F,50V,Electrolytic
C208	RC-GZA476AF1H	AB			47 $\mu$ F,50V,Electrolytic
C209	RC-GZV337AF1V	AB			330 $\mu$ F,35V,Electrolytic
C210	RC-GZA107AF1H	AC			100 $\mu$ F,50V,Electrolytic
C211	RC-GZW478AF1V	AH			4700 $\mu$ F,35V,Electrolytic
C212	RC-GZW478AF1V	AH			4700 $\mu$ F,35V,Electrolytic
C213	VCKYPA1HF473Z	AB			0.047 $\mu$ F,50V

NO.	PARTS CODE	PRICE RANK	NEW MARK	PART RANK	DESCRIPTION
<b>[8] CAPACITORS</b>					
C214	RC-GZW688AF1E	AH			6800 $\mu$ F,25V,Electrolytic
C215	VCKYCY1HB473K	AB			0.047 $\mu$ F,50V
C216	VCKYPA1HF223Z	AB			0.022 $\mu$ F,50V
C217	RC-GZA477AF1C	AC			470 $\mu$ F,16V,Electrolytic
C218	VCKYCY1HF223Z	AA			0.022 $\mu$ F,50V
C219	VCKYPA1HF223Z	AB			0.022 $\mu$ F,50V
C220	RC-GZA227AF1E	AB			220 $\mu$ F,25V,Electrolytic
C221	VCFYFA1HA473J	AB			0.047 $\mu$ F,50V,Thin Film
C222	RC-GZA476AF1E	AB			47 $\mu$ F,25V,Electrolytic
C223	RC-GZA476AF1C	AB			47 $\mu$ F,16V,Electrolytic [MP444H Only]
C224	RC-GZA106AF1C	AB			10 $\mu$ F,16V,Electrolytic [MP444H Only]
C225	RC-GZA107AF1H	AC			100 $\mu$ F,50V,Electrolytic
C226	RC-GZA107AF1H	AC			100 $\mu$ F,50V,Electrolytic
C227	VCFYFA1HA473J	AB			0.047 $\mu$ F,50V,Thin Film
C228	VCFYFA1HA473J	AB			0.047 $\mu$ F,50V,Thin Film
C229	RC-GZA476AF1E	AB			47 $\mu$ F,25V,Electrolytic
C301	VCKYCY1EF123Z	AA			0.012 $\mu$ F,25V
C302	VCKYCY1HB102K	AA			0.001 $\mu$ F,50V
C305	RC-GZA226AF1C	AB			22 $\mu$ F,16V,Electrolytic
C307	VCKYPA1HF223Z	AB			0.022 $\mu$ F,50V
C329	VCKYCY1EF223Z	AB			0.022 $\mu$ F,25V
C330	VCCCPA1HH120J	AA			12 pF (CH),50V
C331	VCKYCY1EF473Z	AB			0.047 $\mu$ F,25V
C332	VCKYPA1HF223Z	AB			0.022 $\mu$ F,50V
C333	RC-GZA106AF1C	AB			10 $\mu$ F,16V,Electrolytic
C334	VCCUPA1HJ270J	AA			27 pF (UJ),50V
C335	VCKYCY1HB561K	AA			560 pF,50V
C336	VCKYPA1HB331K	AA			330 pF,50V
C337	VCKYPA1HF223Z	AB			0.022 $\mu$ F,50V
C338	VCKYCY1EF104Z	AA			0.1 $\mu$ F,25V
C339	VCKYCY1HB561K	AA			560 pF,50V
C340	VCCCCY1HH220J	AA			22 pF (CH),50V
C341	VCKYCY1EF223Z	AB			0.022 $\mu$ F,25V
C342	VCCCCY1HH220J	AA			22 pF (CH),50V
C343	VCCSCY1HL330J	AD			33 pF,50V
C344	VCCSCY1HL330J	AD			33 pF,50V
C345	VCKYCY1EF223Z	AB			0.022 $\mu$ F,25V
C346	VCKYCY1EF223Z	AB			0.022 $\mu$ F,25V
C347	VCKYCY1EF223Z	AB			0.022 $\mu$ F,25V
C348	RC-GZA107AF1C	AB			100 $\mu$ F,16V,Electrolytic
C349	VCKYCY1HB102K	AA			0.001 $\mu$ F,50V
C350	VCKYCY1EF223Z	AB			0.022 $\mu$ F,25V
C351	VCKYCY1EF223Z	AB			0.022 $\mu$ F,25V
C352	RC-GZA106AF1C	AB			10 $\mu$ F,16V,Electrolytic
C353	VCKYCY1EF223Z	AB			0.022 $\mu$ F,25V
C354	VCKYCY1EF223Z	AB			0.022 $\mu$ F,25V
C355	VCCSCY1HL220J	AD			22 pF,50V
C356	VCKYCY1HB102K	AA			0.001 $\mu$ F,50V
C357	RC-GZA225AF1H	AB			2.2 $\mu$ F,50V,Electrolytic
C358	RC-GZA105AF1H	AB			1 $\mu$ F,50V,Electrolytic
C359	VCKYCY1EF104Z	AA			0.1 $\mu$ F,25V
C360	VCKYCY1EF223Z	AB			0.022 $\mu$ F,25V
C361	VCKYCY1EF223Z	AB			0.022 $\mu$ F,25V
C362	RC-GZA335AF1H	AB			3.3 $\mu$ F,50V,Electrolytic
C363	VCKYCY1EF223Z	AB			0.022 $\mu$ F,25V
C364	RC-GZA106AF1C	AB			10 $\mu$ F,16V,Electrolytic
C365	VCKYCY1EF223Z	AB			0.022 $\mu$ F,25V
C366	VCKYCY1HB102K	AA			0.001 $\mu$ F,50V
C367	RC-GZA105AF1H	AB			1 $\mu$ F,50V,Electrolytic
C368	RC-GZA105AF1H	AB			1 $\mu$ F,50V,Electrolytic
C369	VCCSCY1HL560J	AD			56 pF,50V
C370	RC-GZA105AF1H	AB			1 $\mu$ F,50V,Electrolytic
C371	RC-GZA105AF1H	AB			1 $\mu$ F,50V,Electrolytic
C372	RC-GZA105AF1H	AB			1 $\mu$ F,50V,Electrolytic
C373	VCTYPA1CX183K	AA			0.018 $\mu$ F,16V
C374	VCTYPA1CX183K	AA			0.018 $\mu$ F,16V
C375	RC-GZA476AF1C	AB			47 $\mu$ F,16V,Electrolytic
C376	VCKYCY1EF103Z	AA			0.01 $\mu$ F,25V
C377	VCKYCY1EF223Z	AB			0.022 $\mu$ F,25V
C378	VCKYPA1HB331K	AA			330 pF,50V
C379	VCKYPA1HF223Z	AB			0.022 $\mu$ F,50V
C380	RC-GZA106AF1C	AB			10 $\mu$ F,16V,Electrolytic
C381	VCCCCY1HH120J	AA			12 pF (CH),50V
C382	VCCCCY1HH150J	AA			15 pF (CH),50V
C383	VCKYCY1EF223Z	AB			0.022 $\mu$ F,25V
C384	VCKYCY1HB102K	AA			0.001 $\mu$ F,50V
C385	VCKYPA1HF103Z	AB			0.01 $\mu$ F,50V
C386	VCKYPA1HB331K	AA			330 pF,50V
C387	VCKYCY1EF223Z	AB			0.022 $\mu$ F,25V
C388	VCKYCY1EF103Z	AA			0.01 $\mu$ F,25V
C391	RC-GZA476AF1C	AB			47 $\mu$ F,16V,Electrolytic
C392	VCKYCY1HB102K	AA			0.001 $\mu$ F,50V
C393	RC-GZA105AF1H	AB			1 $\mu$ F,50V,Electrolytic
C394	RC-GZA476AF1C	AB			47 $\mu$ F,16V,Electrolytic
C395	VCKYCY1EF223Z	AB			0.022 $\mu$ F,25V

XL-MP333H/XL-MP444H

NO.	PARTS CODE	PRICE RANK	NEW MARK	PART RANK	DESCRIPTION
<b>[8] CAPACITORS</b>					
C396	RC-GZA107AF1A	AB			100 $\mu$ F,10V,Electrolytic
C397	VCKYCY1EF223Z	AB			0.022 $\mu$ F,25V
C398	RC-GZA107AF1A	AB			100 $\mu$ F,10V,Electrolytic
C399	VCKYPA1HF223Z	AB			0.022 $\mu$ F,50V
C401	VCKYCY1HF103Z	AB			0.01 $\mu$ F,50V
C402	RC-EZD476AF1C	AC			47 $\mu$ F,16V,Electrolytic
C403	VCKYCY1HB102K	AA			0.001 $\mu$ F,50V
C404A	RC-EZD227AF1C	AB			220 $\mu$ F,16V,Electrolytic
C404B	RC-EZD227AF1C	AB			220 $\mu$ F,16V,Electrolytic
C405	RC-EZD107AF1C	AC			100 $\mu$ F,16V,Electrolytic
C406	VCKYCY1EF104Z	AA			0.1 $\mu$ F,25V
C407	VCKYCY1EF104Z	AA			0.1 $\mu$ F,25V
C408	RC-EZD107AF1C	AC			100 $\mu$ F,16V,Electrolytic
C409	RC-EZD106AF1C	AB			10 $\mu$ F,16V,Electrolytic
C410	VCKYCY1EF104Z	AA			0.1 $\mu$ F,25V
C411	VCKYCY1EF104Z	AA			0.1 $\mu$ F,25V
C412	VCKYCY1EF473Z	AB			0.047 $\mu$ F,25V
C413	VCKYCY1EF104Z	AA			0.1 $\mu$ F,25V
C414	VCCSCY1HL101J	AA			100 pF,50V
C415	RC-EZD107AF1C	AC			100 $\mu$ F,16V,Electrolytic
C416	VCCSCY1HL470J	AA			47 pF,50V
C417	RC-EZD107AF1C	AC			100 $\mu$ F,16V,Electrolytic
C418	RC-EZD106AF1C	AB			10 $\mu$ F,16V,Electrolytic
C419	RC-EZD107AF1C	AC			100 $\mu$ F,16V,Electrolytic
C420	VCKYCY1HB222K	AA			0.0022 $\mu$ F,50V
C421	VCKYCY1EF104Z	AA			0.1 $\mu$ F,25V
C422	VCKYCY1EF104Z	AA			0.1 $\mu$ F,25V
C423	VCKYCY1HB222K	AA			0.0022 $\mu$ F,50V
C424	VCKYCY1EF104Z	AA			0.1 $\mu$ F,25V
C425	RC-EZD105AF1C	AB			1 $\mu$ F,16V,Electrolytic
C426	VCKYCY1HF104Z	AB			0.1 $\mu$ F,50V
C427	VCKYCY1HB104K	AD			0.1 $\mu$ F,50V
C428	VCKYCY1HB471K	AA			470 pF,50V
C429	VCKYCY1HB471K	AA			470 pF,50V
C431	VCKYCY1EF104Z	AA			0.1 $\mu$ F,25V
C432	VCKYCY1EF473Z	AB			0.047 $\mu$ F,25V
C433	VCKYCY1HB104K	AD			0.1 $\mu$ F,50V
C434	VCKYCY1HF104Z	AB			0.1 $\mu$ F,50V
C435	RC-EZD105AF1C	AB			1 $\mu$ F,16V,Electrolytic
C436	RC-EZD107AF1C	AC			100 $\mu$ F,16V,Electrolytic
C437	VCKYCY1HB102K	AA			0.001 $\mu$ F,50V
C438	VCKYCY1HF104Z	AB			0.1 $\mu$ F,50V
C439	VCCCCY1HH100J	AA			10 pF (CH),50V
C440	RC-EZD106AF1C	AB			10 $\mu$ F,16V,Electrolytic
C441	VCCCCY1HH100J	AA			10 pF (CH),50V
C442	VCKYCY1HB102K	AA			0.001 $\mu$ F,50V
C443	RC-EZD105AF1C	AB			1 $\mu$ F,16V,Electrolytic
C444	VCKYCY1HF104Z	AB			0.1 $\mu$ F,50V
C445	VCKYCY1HB104K	AD			0.1 $\mu$ F,50V
C446	VCKYCY1HB104K	AD			0.1 $\mu$ F,50V
C447	VCKYCY1EF104Z	AA			0.1 $\mu$ F,25V
C448	VCKYCY1EF104Z	AA			0.1 $\mu$ F,25V
C449	VCKYCY1HB104K	AD			0.1 $\mu$ F,50V
C450	VCKYCY1HB104K	AD			0.1 $\mu$ F,50V
C451	VCKYCY1HB104K	AD			0.1 $\mu$ F,50V
C452	VCKYCY1HB104K	AD			0.1 $\mu$ F,50V
C453	VCKYCY1HB104K	AD			0.1 $\mu$ F,50V
C455	VCKYCY1HB104K	AD			0.1 $\mu$ F,50V
C456	VCKYCY1HB104K	AD			0.1 $\mu$ F,50V
C457	RC-EZD336AF1C	AB			33 $\mu$ F,16V,Electrolytic
C458	RC-EZD107AF1C	AC			100 $\mu$ F,16V,Electrolytic
C459	RC-EZD477AF1A				470 $\mu$ F,10V,Electrolytic
C460	RC-EZD106AF1C	AB			10 $\mu$ F,16V,Electrolytic
C461	VCKYCY1HB104K	AD			0.1 $\mu$ F,50V
C462	VCKYCY1HB104K	AD			0.1 $\mu$ F,50V
C463	RC-EZD225AF1C				22 $\mu$ F,16V,Electrolytic
C464	VCKYCY1HB104K	AD			0.1 $\mu$ F,50V
C465	RC-EZD336AF1C	AB			33 $\mu$ F,16V,Electrolytic
C466	VCCSCY1HL101J	AA			100 pF,50V
C468	VCKYCY1HB104K	AD			0.1 $\mu$ F,50V
C469	VCCSCY1HL470J	AA			47 pF,50V
C470	VCCSCY1HL470J	AA			47 pF,50V
C471	VCKYCY1HB471K	AA			470 pF,50V
C472	VCKYCY1HB102K	AA			0.001 $\mu$ F,50V
C473	VCCCCY1HH220J	AA			22 pF (CH),50V
C474	VCCCCY1HH220J	AA			22 pF (CH),50V
C475	VCKYCY1HB104K	AD			0.1 $\mu$ F,50V
C476	RC-EZD477AF1A				470 $\mu$ F,10V,Electrolytic
C477	VCKYCY1HB104K	AD			0.1 $\mu$ F,50V
C478	VCKYCY1HB104K	AD			0.1 $\mu$ F,50V
C479	VCKYCY1HB104K	AD			0.1 $\mu$ F,50V
C480	VCKYCY1HB104K	AD			0.1 $\mu$ F,50V
C481	VCKYCY1HB104K	AD			0.1 $\mu$ F,50V
C482	VCKYCY1EF104Z	AA			0.1 $\mu$ F,25V
C483	VCKYCY1HB102K	AA			0.001 $\mu$ F,50V

NO.	PARTS CODE	PRICE RANK	NEW MARK	PART RANK	DESCRIPTION
<b>[8] CAPACITORS</b>					
C484	VCKYCY1HB102K	AA			0.001 $\mu$ F,50V
C485	VCKYCY1HB102K	AA			0.001 $\mu$ F,50V
C486	VCKYCY1EF104Z	AA			0.1 $\mu$ F,25V
C487	RC-EZD477AF1A				470 $\mu$ F,10V,Electrolytic
C488	VCKYCY1HB104K	AD			0.1 $\mu$ F,50V
C489	VCCCCY1HH220J	AA			22 pF (CH),50V
C490	VCCCCY1HH220J	AA			22 pF (CH),50V
C493	VCKYCY1HB332K	AA			0.0033 $\mu$ F,50V
C494	VCKYCY1HB104K	AD			0.1 $\mu$ F,50V
C496	VCKYCY1HB104K	AD			0.1 $\mu$ F,50V
C497	VCKYCY1HB473K	AB			0.047 $\mu$ F,50V
C498	RC-EZD227AF1C	AB			220 $\mu$ F,16V,Electrolytic
C499	RC-EZD476AF1C	AC			47 $\mu$ F,16V,Electrolytic
C506	RC-EZD476AF1C	AC			47 $\mu$ F,16V,Electrolytic
C515	VCKYCY1EF223Z	AB			0.022 $\mu$ F,25V
C601	RC-GZA105AF1C	AB			1 $\mu$ F,16V,Electrolytic
C602	RC-GZA105AF1C	AB			1 $\mu$ F,16V,Electrolytic
C605	RC-GZA105AF1C	AB			1 $\mu$ F,16V,Electrolytic
C606	RC-GZA105AF1C	AB			1 $\mu$ F,16V,Electrolytic
C607	RC-GZA105AF1H	AB			1 $\mu$ F,50V,Electrolytic
C608	RC-GZA105AF1H	AB			1 $\mu$ F,50V,Electrolytic
C609	RC-GZA105AF1H	AB			1 $\mu$ F,50V,Electrolytic
C610	RC-GZA105AF1H	AB			1 $\mu$ F,50V,Electrolytic
C611	VCKYPA1HB272K	AA			0.0027 $\mu$ F,50V
C612	VCKYPA1HB272K	AA			0.0027 $\mu$ F,50V
C613	RC-QZA104AFYJ	AC			0.1 $\mu$ F,50V,Mylar
C614	RC-QZA104AFYJ	AC			0.1 $\mu$ F,50V,Mylar
C615	RC-GZA105AF1C	AB			1 $\mu$ F,16V,Electrolytic
C616	RC-GZA105AF1C	AB			1 $\mu$ F,16V,Electrolytic
C617	RC-GZA336AF1C	AB			33 $\mu$ F,16V,Electrolytic
C618	RC-GZA107AF1C	AB			100 $\mu$ F,16V,Electrolytic
C619	VCKYCY1HB221K	AA			220 pF,50V
C620	VCKYCY1HB221K	AA			220 pF,50V
C621	VCKYCY1HB221K	AA			220 pF,50V
C622	VCKYCY1EB104K	AD			0.1 $\mu$ F,25V [MP444H Only]
C622	VCKYCY1HB104K	AD			0.1 $\mu$ F,50V [MP333H Only]
C623	VCKYCY1EB104K	AD			0.1 $\mu$ F,25V
C624	RC-GZA105AF1C	AB			1 $\mu$ F,16V,Electrolytic
C625	RC-GZA105AF1C	AB			1 $\mu$ F,16V,Electrolytic
C631	VCQYKA1JM274J	AC			0.27 $\mu$ F,63V,Mylar [MP444H Only]
C632	VCKYPA1HB562K	AB			0.0056 $\mu$ F,50V
C633	VCKYCY1HB331K	AA			330 pF,50V
C634	VCKYCY1HB331K	AA			330 pF,50V
C635	VCQYKA1JM224J	AC			0.22 $\mu$ F,63V,Mylar [MP444H Only]
C639	RC-GZA476AF1E	AB			47 $\mu$ F,25V,Electrolytic [MP444H Only]
C640	RC-GZA476AF1C	AB			47 $\mu$ F,16V,Electrolytic [MP444H Only]
C652	RC-GZA226AF1C	AB			22 $\mu$ F,16V,Electrolytic [MP444H Only]
C656	RC-GZA106AF1C	AB			10 $\mu$ F,16V,Electrolytic [MP444H Only]
C657	VCKYCY1EF473Z	AB			0.047 $\mu$ F,25V [MP444H Only]
C661	RC-GZA106AF1C	AB			10 $\mu$ F,16V,Electrolytic [MP444H Only]
C662	RC-GZA106AF1C	AB			10 $\mu$ F,16V,Electrolytic [MP444H Only]
C663	RC-GZA106AF1C	AB			10 $\mu$ F,16V,Electrolytic [MP444H Only]
C664	RC-GZA106AF1C	AB			10 $\mu$ F,16V,Electrolytic [MP444H Only]
C665	RC-GZA106AF1C	AB			10 $\mu$ F,16V,Electrolytic [MP444H Only]
C666	RC-GZA106AF1C	AB			10 $\mu$ F,16V,Electrolytic [MP444H Only]
C667	RC-GZA106AF1C	AB			10 $\mu$ F,16V,Electrolytic [MP444H Only]
C668	RC-GZA106AF1C	AB			10 $\mu$ F,16V,Electrolytic [MP444H Only]
C669	RC-GZA107AF1C	AB			100 $\mu$ F,16V,Electrolytic [MP444H Only]
C670	RC-GZA106AF1C	AB			10 $\mu$ F,16V,Electrolytic [MP444H Only]
C671	RC-GZA336AF1C	AB			33 $\mu$ F,16V,Electrolytic [MP444H Only]
C674	RC-QZA104AFYJ	AC			0.1 $\mu$ F,50V,Mylar [MP444H Only]
C676	RC-QZA104AFYJ	AC			0.1 $\mu$ F,50V,Mylar [MP444H Only]
C678	RC-GZA106AF1C	AB			10 $\mu$ F,16V,Electrolytic [MP444H Only]
C681	VCKYCY1HB221K	AA			220 pF,50V [MP444H Only]
C682	VCKYPA1HB221K	AA			220 pF,50V [MP444H Only]
C683	VCKYCY1HB221K	AA			220 pF,50V [MP444H Only]
C693	RC-GZA106AF1C	AB			10 $\mu$ F,16V,Electrolytic [MP444H Only]
C694	RC-QZA104AFYJ	AC			0.1 $\mu$ F,50V,Mylar [MP444H Only]
C695	RC-QZA104AFYJ	AC			0.1 $\mu$ F,50V,Mylar [MP444H Only]
C696	RC-GZA106AF1C	AB			10 $\mu$ F,16V,Electrolytic [MP444H Only]
C697	VCKYPA1HB474K				0.47 $\mu$ F,50V [MP444H Only]
C698	VCKYPA1HB474K				0.47 $\mu$ F,50V [MP444H Only]
C699	VCKYPA1HB562K	AB			0.0056 $\mu$ F,50V
C701	VCKYCY1EB104K	AD			0.1 $\mu$ F,25V
C702	VCKYCY1EB104K	AD			0.1 $\mu$ F,25V
C703	VCCCCY1HH240J	AA			24 pF,50V
C704	VCCCCY1HH240J	AA			24 pF,50V
C705	VCKYCY1EB104K	AD			0.1 $\mu$ F,25V
C706	RC-EZD227AF1A	AC			220 $\mu$ F,10V,Electrolytic
C707	VCKYCY1EB104K	AD			0.1 $\mu$ F,25V
C708	VCCSCY1HL101J	AA			100 pF,50V
C709	RC-EZD107AF1A	AB			100 $\mu$ F,10V,Electrolytic
C710	VCKYCY1EF473Z	AB			0.047 $\mu$ F,25V
C711	VCKYCY1EB104K	AD			0.1 $\mu$ F,25V
C712	RC-EZD336AF1C	AB			33 $\mu$ F,16V,Electrolytic

XL-MP333H/XL-MP444H

NO.	PARTS CODE	PRICE RANK	NEW MARK	PART RANK	DESCRIPTION
<b>[8] CAPACITORS</b>					
C713	VCKYCY1EB103K	AA			0.01 $\mu$ F,25V
C714	VCKYCY1HB102K	AA			0.001 $\mu$ F,50V
C715	VCKYCY1HB102K	AA			0.001 $\mu$ F,50V
C716	RC-EZD476AF1C	AC			47 $\mu$ F,16V,Electrolytic
<b>[9] RESISTORS</b>					
JP701	VRS-CY1JB000J	AA			0 ohm,Jumper,0.8x1.55mm,Green
R101	VRS-CY1JB103J	AA			10 kohm,1/16W
R102	VRS-CY1JB102J	AA			1 kohm,1/16W
R103	VRS-CY1JB332J	AA			3.3 kohms,1/16W [MP444H Only]
R104	VRS-CY1JB103J	AA			10 kohm,1/16W
R105	VRS-CY1JB103J	AA			10 kohm,1/16W
R106	VRS-CY1JB103J	AA			10 kohm,1/16W [MP444H Only]
R107	VRS-CY1JB222J	AA			2.2 kohms,1/16W
R108	VRS-CY1JB222J	AA			2.2 kohms,1/16W
R109	VRS-CY1JB102J	AA			1 kohm,1/16W [MP444H Only]
R110	VRS-CY1JB102J	AA			1 kohm,1/16W
R111	VRD-ST2CD102J	AA			1 kohm,1/6W
R112	VRS-CY1JB102J	AA			1 kohm,1/16W [MP444H Only]
R113	VRS-CY1JB332J	AA			3.3 kohms,1/16W
R114	VRS-CY1JB474J	AA			470 kohms,1/16W
R116	VRS-CY1JB393J	AA			39 kohms,1/16W
R117	VRS-CY1JB393J	AA			39 kohms,1/16W
R118	VRS-CY1JB393J	AA			39 kohms,1/16W [MP444H Only]
R119	VRD-ST2EE123J	AA			12 kohms,1/4W
R122	VRS-CY1JB223J	AA			22 kohms,1/16W
R123	VRD-ST2CD223J	AA			22 kohms,1/6W
R124	VRD-ST2CD223J	AA			22 kohms,1/6W [MP444H Only]
R125	VRD-ST2EE100J	AA			10 ohm,1/4W
R126	VRD-ST2EE100J	AA			10 ohm,1/4W
R127	VRD-ST2EE100J	AA			10 ohm,1/4W [MP444H Only]
R134	VRD-ST2EE6R8J	AA			6.8 ohms,1/4W
R135	VRD-ST2EE6R8J	AA			6.8 ohms,1/4W
R136	VRD-ST2EE6R8J	AA			6.8 ohms,1/4W [MP444H Only]
R137	VRS-CY1JB563J	AA			56 kohms,1/16W
R138	VRS-CY1JB563J	AA			56 kohms,1/16W
R139	VRS-CY1JB563J	AA			56 kohms,1/16W [MP444H Only]
R140	VRD-ST2CD104J	AA			100 kohm,1/6W [MP444H Only]
R141	VRD-ST2CD104J	AA			100 kohm,1/6W [MP444H Only]
R142	VRD-ST2CD104J	AA			100 kohm,1/6W [MP444H Only]
R143	VRD-ST2EE4R7J	AA			4.7 ohms,1/4W
R144	VRD-ST2EE4R7J	AA			4.7 ohms,1/4W
R145	VRD-ST2EE4R7J	AA			4.7 ohms,1/4W [MP444H Only]
R146	VRD-ST2EE271J	AA			270 ohms,1/4W [MP444H Only]
R146A	VRD-ST2EE271J	AA			270 ohms,1/4W [MP333H Only]
R147	VRD-ST2EE271J	AA			270 ohms,1/4W [MP444H Only]
R147A	VRD-ST2EE271J	AA			270 ohms,1/4W [MP333H Only]
R149	VRD-ST2EE221J	AA			220 ohms,1/4W
R150	VRD-ST2EE221J	AA			220 ohms,1/4W
R151	VRD-ST2CD331J	AA			330 ohms,1/6W [MP444H Only]
R154	VRS-CY1JB682J	AA			6.8 kohms,1/16W
R155	VRD-ST2EE332J	AA			3.3 kohms,1/4W
R156	VRS-CY1JB562J	AA			5.6 kohms,1/16W
R157	VRS-CY1JB183J	AA			18 kohms,1/16W [MP444H Only]
R159	VRS-CY1JB473J	AA			47 kohms,1/16W
R160	VRD-ST2CD221J	AA			220 ohms,1/6W
R161	VRS-CY1JB472J	AA			4.7 kohms,1/16W
R162	VRD-ST2EE152J	AA			1.5 kohms,1/4W [MP444H Only]
R163	VRD-ST2EE473J	AA			47 kohms,1/4W [MP444H Only]
R169	VRD-ST2EE6R8J	AA			6.8 ohms,1/4W [MP444H Only]
R170	VRD-ST2EE6R8J	AA			6.8 ohms,1/4W
R171	VRD-ST2EE6R8J	AA			6.8 ohms,1/4W
R202	VRS-CY1JB223J	AA			22 kohms,1/16W
R203	VRD-ST2EE100J	AA			10 ohm,1/4W
R204	VRD-ST2CD473J	AA			47 kohms,1/6W
R205	VRD-ST2CD123J	AA			12 kohms,1/6W
R206	VRD-ST2CD331J	AA			330 ohms,1/6W
R207	VRD-ST2CD331J	AA			330 ohms,1/6W
R208	VRD-ST2CD103J	AA			10 kohm,1/6W
R209	VRS-CY1JB223J	AA			22 kohms,1/16W
R210	VRS-CY1JB332J	AA			3.3 kohms,1/16W [MP444H Only]
R211	VRS-CY1JB103J	AA			10 kohm,1/16W [MP444H Only]
R212	VRS-CY1JB223J	AA			22 kohms,1/16W [MP444H Only]
R213	VRS-CY1JB474J	AA			470 kohms,1/16W [MP444H Only]
R214	VRD-RT2HD300J	AA			30 ohms,1/2W [MP444H Only]
R215	VRS-CY1JB332J	AA			3.3 kohms,1/16W [MP444H Only]
R216	VRS-CY1JB273J	AA			27 kohms,1/16W [MP444H Only]
R218	VRD-RT2HD620J	AA			62 ohms,1/2W
R219	VRD-RT2HD620J	AA			62 ohms,1/2W
R221	VRD-ST2CD103J	AA			10 kohm,1/6W
R222	VRS-CY1JB473J	AA			47 kohms,1/16W
R323	VRS-CY1JB683J	AA			68 kohms,1/16W
R336	VRD-ST2CD562J	AA			5.6 kohms,1/6W
R340	VRD-ST2CD563J	AA			56 kohms,1/6W
R343	VRD-ST2CD181J	AA			180 ohms,1/6W



NO.	PARTS CODE	PRICE RANK	NEW MARK	PART RANK	DESCRIPTION
<b>[9] RESISTORS</b>					
R344	VRS-CY1JB681J	AA			680 ohms,1/16W
R345	VRS-CY1JB472J	AA			4.7 kohms,1/16W
R346	VRS-CY1JB331J	AA			330 ohms,1/16W
R347	VRS-CY1JB682J	AA			6.8 kohms,1/16W
R348	VRS-CY1JB681J	AA			680 ohms,1/16W
R349	VRS-CY1JB330J	AA			33 ohms,1/16W
R350	VRS-CY1JB272J	AA			2.7 kohms,1/16W
R351	VRS-CY1JB562J	AA			5.6 kohms,1/16W
R352	VRS-CY1JB102J	AA			1 kohm,1/16W
R353	VRS-CY1JB271J	AA			270 ohms,1/16W
R355	VRS-CY1JB332J	AA			3.3 kohms,1/16W
R356	VRS-CY1JB102J	AA			1 kohm,1/16W
R357	VRS-CY1JB474J	AA			470 kohms,1/16W
R358	VRS-CY1JB822J	AA			8.2 kohms,1/16W
R359	VRS-CY1JB182J	AA			1.8 kohms,1/16W
R360	VRS-CY1JB472J	AA			4.7 kohms,1/16W
R361	VRS-CY1JB273J	AA			27 kohms,1/16W
R362	VRS-CY1JB273J	AA			27 kohms,1/16W
R365	VRS-CY1JB103J	AA			10 kohm,1/16W
R366	VRS-CY1JB222J	AA			2.2 kohms,1/16W
R369A	VRS-CY1JB680J	AA			68 ohms,1/16W
R369B	VRS-CY1JB820J	AA			82 ohms,1/16W
R371	VRS-CY1JB102J	AA			1 kohm,1/16W
R372	VRS-CY1JB102J	AA			1 kohm,1/16W
R373	VRS-CY1JB102J	AA			1 kohm,1/16W
R374	VRS-CY1JB102J	AA			1 kohm,1/16W
R376	VRD-ST2CD103J	AA			10 kohm,1/6W
R377	VRD-ST2CD562J	AA			5.6 kohms,1/6W
R379	VRS-CY1JB222J	AA			2.2 kohms,1/16W
R380	VRD-ST2CD152J	AA			1.5 kohms,1/6W
R381	VRS-CY1JB103J	AA			10 kohm,1/16W
R382	VRD-ST2EE331J	AA			330 ohms,1/4W
R383	VRS-CY1JB562J	AA			5.6 kohms,1/16W
R384	VRD-ST2CD682J	AA			6.8 kohms,1/6W
R385	VRD-ST2CD562J	AA			5.6 kohms,1/6W
R386	VRD-ST2EE331J	AA			330 ohms,1/4W
R387	VRD-ST2CD562J	AA			5.6 kohms,1/6W
R390	VRD-ST2CD473J	AA			47 kohms,1/6W
R391	VRD-ST2EE391J	AA			390 ohms,1/4W
R392	VRD-ST2EE391J	AA			390 ohms,1/4W
R393	VRS-CY1JB102J	AA			1 kohm,1/16W
R394	VRD-ST2CD102J	AA			1 kohm,1/6W
R395	VRD-ST2CD473J	AA			47 kohms,1/6W
R396	VRD-ST2CD102J	AA			1 kohm,1/6W
R397	VRS-CY1JB103J	AA			10 kohm,1/16W
R398	VRD-ST2CD563J	AA			56 kohms,1/6W
R399	VRD-ST2EE100J	AA			10 ohm,1/4W
R401	VRS-CY1JB104J	AA			100 kohm,1/16W
R402	VRS-CY1JB333J	AA			33 kohms,1/16W
R403	VRS-CY1JB333J	AA			33 kohms,1/16W
R404	VRS-CY1JB333J	AA			33 kohms,1/16W
R405	VRS-CY1JB333J	AA			33 kohms,1/16W
R406	VRS-CY1JB103J	AA			10 kohm,1/16W
R407	VRS-CY1JB104J	AA			100 kohm,1/16W
R408	VRS-CY1JB100J	AA			10 ohm,1/16W
R409	VRS-CY1JB223J	AA			22 kohms,1/16W
R410	VRS-CY1JB273J	AA			27 kohms,1/16W
R411	VRS-CY1JB331J	AA			330 ohms,1/16W
R412	VRS-CY1JB103J	AA			10 kohm,1/16W
R413	VRS-CY1JB101J	AA			100 ohm,1/16W
R414	VRS-CY1JB103J	AA			10 kohm,1/16W
R415	VRS-CY1JB122J	AA			1.2 kohms,1/16W
R416	VRS-CY1JB101J	AA			100 ohm,1/16W
R417	VRS-CY1JB123J	AA			12 kohms,1/16W
R418	VRS-CY1JB102J	AA			1 kohm,1/16W
R419	VRS-CY1JB681J	AA			680 ohms,1/16W
R420	VRS-CY1JB471J	AA			470 ohms,1/16W
R421	VRS-CY1JB470J	AA			47 ohms,1/16W
R422	VRS-CY1JB470J	AA			47 ohms,1/16W
R423	VRS-CY1JB104J	AA			100 kohm,1/16W
R424	VRS-CY1JB470J	AA			47 ohms,1/16W
R425	VRS-CY1JB471J	AA			470 ohms,1/16W
R426	VRS-CY1JB682J	AA			6.8 kohms,1/16W
R427	VRS-CY1JB475J	AA			4.7 Mohms,1/16W
R430	VRS-CY1JB681J	AA			680 ohms,1/16W
R431	VRS-CY1JB471J	AA			470 ohms,1/16W
R432	VRD-ST2EE561J	AA			560 ohms,1/4W
R432A	VRS-CY1JB473J	AA			47 kohms,1/16W
R433	VRD-ST2CD102J	AA			1 kohm,1/6W
R433A	VRS-CY1JB222J	AA			2.2 kohms,1/16W
R434	VRS-CY1JB221J	AA			220 ohms,1/16W
R435	VRS-CY1JB101J	AA			100 ohm,1/16W
R436	VRS-CY1JB222J	AA			2.2 kohms,1/16W
R438	VRS-CY1JB680J	AA			68 ohms,1/16W
R439	VRS-CY1JB223J	AA			22 kohms,1/16W

XL-MP333H/XL-MP444H

NO.	PARTS CODE	PRICE RANK	NEW MARK	PART RANK	DESCRIPTION
<b>[9] RESISTORS</b>					
R440	VRS-CY1JB101J	AA			100 ohm,1/16W
R441	VRS-CY1JB100J	AA			10 ohm,1/16W
R442	VRS-CY1JB201J	AA			200 ohms,1/16W
R442A	VRS-CY1JB201J	AA			200 ohms,1/16W
R443	VRS-CY1JB151J	AA			150 ohms,1/16W
R443A	VRS-CY1JB151J	AA			150 ohms,1/16W
R444	VRS-CY1JB101J	AA			100 ohm,1/16W
R445	VRS-CY1JB102J	AA			1 kohm,1/16W
R446	VRS-CY1JB101J	AA			100 ohm,1/16W
R447	VRS-CY1JB102J	AA			1 kohm,1/16W
R448	VRS-CY1JB820J	AA			82 ohms,1/16W
R449	VRS-CY1JB000J	AA			0 ohm,Jumper,0.8x1.55mm,Green
R450	VRS-CY1JB000J	AA			0 ohm,Jumper,0.8x1.55mm,Green
R451	VRS-CY1JB102J	AA			1 kohm,1/16W
R452	VRS-CY1JB221J	AA			220 ohms,1/16W
R453	VRS-CY1JB103J	AA			10 kohm,1/16W
R454	VRS-CY1JB151J	AA			150 ohms,1/16W
R455	VRS-CY1JB223J	AA			22 kohms,1/16W
R456	VRS-CY1JB103J	AA			10 kohm,1/16W
R457	VRS-CY1JB220J	AA			22 ohms,1/16W
R458	VRS-CY1JB220J	AA			22 ohms,1/16W
R459	VRS-CY1JB682J	AA			6.8 kohms,1/16W
R460	VRS-CY1JB101J	AA			100 ohm,1/16W
R461	VRS-CY1JB221J	AA			220 ohms,1/16W
R462	VRS-CY1JB221J	AA			220 ohms,1/16W
R463	VRS-CY1JB101J	AA			100 ohm,1/16W
R464	VRS-CY1JB101J	AA			100 ohm,1/16W
R465A	VRS-CY1JB221J	AA			220 ohms,1/16W
R465B	VRS-CY1JB221J	AA			220 ohms,1/16W
R465C	VRS-CY1JB221J	AA			220 ohms,1/16W
R465D	VRS-CY1JB221J	AA			220 ohms,1/16W
R465E	VRS-CY1JB221J	AA			220 ohms,1/16W
R465F	VRS-CY1JB221J	AA			220 ohms,1/16W
R465G	VRS-CY1JB221J	AA			220 ohms,1/16W
R465H	VRS-CY1JB221J	AA			220 ohms,1/16W
R465i	VRS-CY1JB221J	AA			220 ohms,1/16W
R465J	VRS-CY1JB221J	AA			220 ohms,1/16W
R465K	VRS-CY1JB221J	AA			220 ohms,1/16W
R465L	VRS-CY1JB221J	AA			220 ohms,1/16W
R466	VRS-CY1JB101J	AA			100 ohm,1/16W
R467	VRS-CY1JB101J	AA			100 ohm,1/16W
R468	VRS-CY1JB101J	AA			100 ohm,1/16W
R469	VRS-CY1JB101J	AA			100 ohm,1/16W
R470	VRS-CY1JB101J	AA			100 ohm,1/16W
R471	VRS-CY1JB682J	AA			6.8 kohms,1/16W
R471A	VRS-CY1JB221J	AA			220 ohms,1/16W
R471B	VRS-CY1JB221J	AA			220 ohms,1/16W
R471C	VRS-CY1JB221J	AA			220 ohms,1/16W
R471D	VRS-CY1JB221J	AA			220 ohms,1/16W
R471E	VRS-CY1JB221J	AA			220 ohms,1/16W
R471F	VRS-CY1JB221J	AA			220 ohms,1/16W
R471G	VRS-CY1JB221J	AA			220 ohms,1/16W
R471H	VRS-CY1JB221J	AA			220 ohms,1/16W
R471i	VRS-CY1JB221J	AA			220 ohms,1/16W
R471J	VRS-CY1JB221J	AA			220 ohms,1/16W
R471K	VRS-CY1JB221J	AA			220 ohms,1/16W
R471L	VRS-CY1JB221J	AA			220 ohms,1/16W
R471M	VRS-CY1JB221J	AA			220 ohms,1/16W
R471N	VRS-CY1JB221J	AA			220 ohms,1/16W
R471P	VRS-CY1JB221J	AA			220 ohms,1/16W
R471Q	VRS-CY1JB221J	AA			220 ohms,1/16W
R472	VRS-CY1JB102J	AA			1 kohm,1/16W
R473	VRS-CY1JB101J	AA			100 ohm,1/16W
R474	VRS-CY1JB101J	AA			100 ohm,1/16W
R475	VRS-CY1JB221J	AA			220 ohms,1/16W
R476	VRS-CY1JB221J	AA			220 ohms,1/16W
R477	VRS-CY1JB332J	AA			3.3 kohms,1/16W
R478	VRS-CY1JB332J	AA			3.3 kohms,1/16W
R479	VRS-CY1JB101J	AA			100 ohm,1/16W
R480	VRS-CY1JB101J	AA			100 ohm,1/16W
R481	VRS-CY1JB101J	AA			100 ohm,1/16W
R482	VRS-CY1JB101J	AA			100 ohm,1/16W
R483	VRS-CY1JB101J	AA			100 ohm,1/16W
R484	VRS-CY1JB101J	AA			100 ohm,1/16W
R485	VRS-CY1JB101J	AA			100 ohm,1/16W
R486	VRS-CY1JB101J	AA			100 ohm,1/16W
R487	VRS-CY1JB101J	AA			100 ohm,1/16W
R488	VRS-CY1JB224J	AA			220 kohms,1/16W
R489	VRS-CY1JB152J	AA			1.5 kohms,1/16W
R491	VRS-CY1JB000J	AA			0 ohm,Jumper,0.8x1.55mm,Green
R494	VRS-CY1JB000J	AA			0 ohm,Jumper,0.8x1.55mm,Green
R495	VRS-CY1JB682J	AA			6.8 kohms,1/16W
R496	VRS-CY1JB182J	AA			1.8 kohms,1/16W
R497	VRS-CY1JB471J	AA			470 ohms,1/16W
R497A	VRS-CY1JB102J	AA			1 kohm,1/16W

NO.	PARTS CODE	PRICE RANK	NEW MARK	PART RANK	DESCRIPTION
<b>[9] RESISTORS</b>					
R497B	VRS-CY1JB101J	AA			100 ohm,1/16W
R497C	VRS-CY1JB101J	AA			100 ohm,1/16W
R497D	VRS-CY1JB222J	AA			2.2 kohms,1/16W
R497E	VRS-CY1JB222J	AA			2.2 kohms,1/16W
R497F	VRS-CY1JB102J	AA			1 kohm,1/16W
R497G	VRS-CY1JB222J	AA			2.2 kohms,1/16W
R498	VRS-CY1JB682J	AA			6.8 kohms,1/16W
R501A	VRS-CY1JB102J	AA			1 kohm,1/16W
R501B	VRS-CY1JB103J	AA			10 kohm,1/16W
R502A	VRS-CY1JB102J	AA			1 kohm,1/16W
R502B	VRS-CY1JB103J	AA			10 kohm,1/16W
R503	VRS-CY1JB682J	AA			6.8 kohms,1/16W
R503A	VRS-CY1JB102J	AA			1 kohm,1/16W
R503B	VRS-CY1JB103J	AA			10 kohm,1/16W
R504	VRS-CY1JB682J	AA			6.8 kohms,1/16W
R504A	VRS-CY1JB102J	AA			1 kohm,1/16W
R504B	VRS-CY1JB103J	AA			10 kohm,1/16W
R505	VRS-CY1JB223J	AA			22 kohms,1/16W
R505A	VRS-CY1JB102J	AA			1 kohm,1/16W
R505B	VRS-CY1JB103J	AA			10 kohm,1/16W
R506A	VRS-CY1JB102J	AA			1 kohm,1/16W
R506B	VRS-CY1JB103J	AA			10 kohm,1/16W
R507A	VRS-CY1JB102J	AA			1 kohm,1/16W
R507B	VRS-CY1JB103J	AA			10 kohm,1/16W
R508A	VRS-CY1JB102J	AA			1 kohm,1/16W
R508B	VRS-CY1JB103J	AA			10 kohm,1/16W
R509	VRS-CY1JB391J	AA			390 ohms,1/16W
R510	VRD-ST2CD471J	AA			470 ohms,1/6W
R511	VRD-ST2CD223J	AA			22 kohms,1/6W
R512	VRS-CY1JB223J	AA			22 kohms,1/16W
R513	VRD-ST2CD471J	AA			470 ohms,1/6W
R514	VRD-ST2CD391J	AA			390 ohms,1/6W
R516	VRD-ST2EE101J	AA			100 ohm,1/4W
R517	VRD-ST2CD223J	AA			22 kohms,1/6W
R518	VRS-CY1JB221J	AA			220 ohms,1/16W
R521	VRS-CY1JB391J	AA			390 ohms,1/16W
R525	VRS-VV3AA271J	AB			270 ohms,1W
R526	VRD-ST2CD563J	AA			56 kohms,1/6W
R601	VRD-ST2CD102J	AA			1 kohm,1/6W
R602	VRD-ST2CD102J	AA			1 kohm,1/6W
R603	VRD-ST2CD102J	AA			1 kohm,1/6W
R604	VRS-CY1JB102J	AA			1 kohm,1/16W
R605	VRS-CY1JB102J	AA			1 kohm,1/16W
R606	VRS-CY1JB102J	AA			1 kohm,1/16W
R607	VRS-CY1JB102J	AA			1 kohm,1/16W
R611	VRS-CY1JB473J	AA			47 kohms,1/16W [MP444H Only]
R612	VRD-ST2CD392J	AA			3.9 kohms,1/6W
R613	VRS-CY1JB392J	AA			3.9 kohms,1/16W
R614	VRS-CY1JB513J	AA			51 kohms,1/16W
R615	VRD-ST2CD272J	AA			2.7 kohms,1/6W [MP444H Only]
R616	VRS-CY1JB473J	AA			47 kohms,1/16W [MP444H Only]
R617	VRS-CY1JB513J	AA			51 kohms,1/16W
R618	VRD-ST2CD822J	AA			8.2 kohms,1/6W
R619	VRS-CY1JB822J	AA			8.2 kohms,1/16W
R620	VRS-CY1JB182J	AA			1.8 kohms,1/16W
R621	VRS-CY1JB182J	AA			1.8 kohms,1/16W
R622	VRS-CY1JB104J	AA			100 kohm,1/16W
R623	VRD-ST2CD104J	AA			100 kohm,1/6W
R624	VRD-ST2CD682J	AA			6.8 kohms,1/6W
R625	VRD-ST2CD682J	AA			6.8 kohms,1/6W
R628	VRS-CY1JB102J	AA			1 kohm,1/16W
R629	VRS-CY1JB102J	AA			1 kohm,1/16W
R630	VRD-ST2EE121J	AA			120 ohms,1/4W
R632	VRS-CY1JB223J	AA			22 kohms,1/16W [MP444H Only]
R633	VRS-CY1JB223J	AA			22 kohms,1/16W [MP444H Only]
R635	VRS-CY1JB102J	AA			1 kohm,1/16W
R636	VRD-ST2CD102J	AA			1 kohm,1/6W
R641	VRD-ST2CD222J	AA			2.2 kohms,1/6W [MP444H Only]
R643	VRD-ST2CD222J	AA			2.2 kohms,1/6W
R644	VRS-CY1JB222J	AA			2.2 kohms,1/16W
R645	VRS-CY1JB102J	AA			1 kohm,1/16W
R646	VRS-CY1JB102J	AA			1 kohm,1/16W
R648	VRD-ST2CD102J	AA			1 kohm,1/6W [MP444H Only]
R649	VRD-ST2CD562J	AA			5.6 kohms,1/6W [MP444H Only]
R651	VRD-ST2CD822J	AA			8.2 kohms,1/6W [MP444H Only]
R655	VRS-CY1JB203J	AA			20 kohms,1/16W [MP444H Only]
R658	VRD-ST2CD102J	AA			1 kohm,1/6W [MP444H Only]
R659	VRS-CY1JB562J	AA			5.6 kohms,1/16W [MP444H Only]
R661	VRD-ST2EE100J	AA			10 ohm,1/4W [MP444H Only]
R662	VRS-CY1JB223J	AA			22 kohms,1/16W [MP444H Only]
R663	VRS-CY1JB223J	AA			22 kohms,1/16W [MP444H Only]
R665	VRS-CY1JB222J	AA			2.2 kohms,1/16W [MP444H Only]
R666	VRS-CY1JB223J	AA			22 kohms,1/16W
R667	VRS-CY1JB223J	AA			22 kohms,1/16W
R675	VRS-CY1JB104J	AA			100 kohm,1/16W [MP444H Only]

XL-MP333H/XL-MP444H

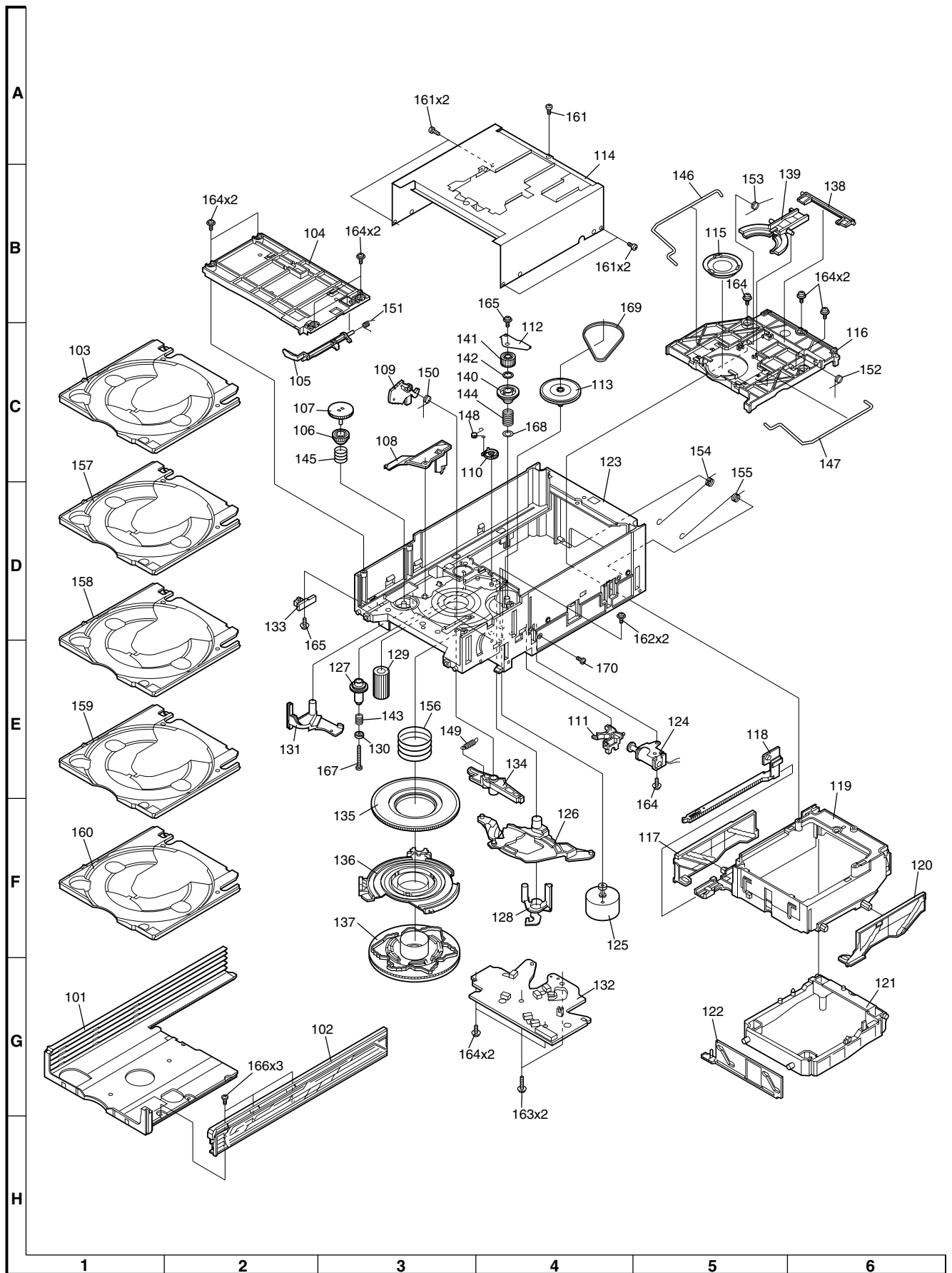
NO.	PARTS CODE	PRICE RANK	NEW MARK	PART RANK	DESCRIPTION
<b>[9] RESISTORS</b>					
R676	VRD-ST2CD392J	AA			3.9 kohms,1/6W [MP444H Only]
R677	VRS-CY1JB103J	AA			10 kohm,1/16W [MP444H Only]
R678	VRD-ST2CD102J	AA			1 kohm,1/6W [MP444H Only]
R679	VRS-CY1JB102J	AA			1 kohm,1/16W [MP444H Only]
R680	VRS-CY1JB102J	AA			1 kohm,1/16W [MP444H Only]
R681	VRD-ST2CD272J	AA			2.7 kohms,1/6W [MP444H Only]
R682	VRS-CY1JB102J	AA			1 kohm,1/16W [MP444H Only]
R683	VRS-CY1JB104J	AA			100 kohm,1/16W [MP444H Only]
R685	VRS-CY1JB102J	AA			1 kohm,1/16W [MP444H Only]
R686	VRD-ST2CD102J	AA			1 kohm,1/6W [MP444H Only]
R687	VRS-CY1JB223J	AA			22 kohms,1/16W [MP444H Only]
R688	VRD-ST2CD223J	AA			22 kohms,1/6W [MP444H Only]
R691	VRS-CY1JB102J	AA			1 kohm,1/16W [MP444H Only]
R692	VRS-CY1JB103J	AA			10 kohm,1/16W [MP444H Only]
R694	VRS-CY1JB392J	AA			3.9 kohms,1/16W [MP444H Only]
R696	VRS-CY1JB102J	AA			1 kohm,1/16W [MP444H Only]
R701	VRD-ST2CD102J	AA			1 kohm,1/6W
R702	VRS-CY1JB102J	AA			1 kohm,1/16W
R703	VRD-ST2CD102J	AA			1 kohm,1/6W [MP444H Only]
R704	VRS-CY1JB103J	AA			10 kohm,1/16W
R705	VRD-ST2CD102J	AA			1 kohm,1/6W
R706	VRD-ST2CD102J	AA			1 kohm,1/6W
R707	VRD-ST2CD102J	AA			1 kohm,1/6W
R708	VRD-ST2CD102J	AA			1 kohm,1/6W
R709	VRD-ST2CD102J	AA			1 kohm,1/6W
R710	VRD-ST2CD102J	AA			1 kohm,1/6W
R711	VRS-CY1JB102J	AA			1 kohm,1/16W
R712	VRS-CY1JB221J	AA			220 ohms,1/16W
R713	VRS-CY1JB102J	AA			1 kohm,1/16W
R714	VRD-ST2CD102J	AA			1 kohm,1/6W
R715	VRD-ST2CD102J	AA			1 kohm,1/6W
R716	VRS-CY1JB103J	AA			10 kohm,1/16W
R717	VRS-CY1JB102J	AA			1 kohm,1/16W
R718	VRS-CY1JB102J	AA			1 kohm,1/16W
R719	VRS-CY1JB102J	AA			1 kohm,1/16W
R720	VRS-CY1JB102J	AA			1 kohm,1/16W
R721	VRS-CY1JB102J	AA			1 kohm,1/16W
R722	VRD-ST2CD102J	AA			1 kohm,1/6W
R723	VRD-ST2CD102J	AA			1 kohm,1/6W
R724	VRS-CY1JB221J	AA			220 ohms,1/16W
R725	VRS-CY1JB221J	AA			220 ohms,1/16W
R726	VRS-CY1JB102J	AA			1 kohm,1/16W
R727	VRD-ST2CD103J	AA			10 kohm,1/6W
R728	VRD-ST2CD102J	AA			1 kohm,1/6W
R729	VRD-ST2CD102J	AA			1 kohm,1/6W
R730	VRD-ST2CD102J	AA			1 kohm,1/6W
R731	VRD-ST2CD102J	AA			1 kohm,1/6W
R732	VRD-ST2CD102J	AA			1 kohm,1/6W
R733	VRD-ST2CD272J	AA			2.7 kohms,1/6W
R734	VRS-CY1JB102J	AA			1 kohm,1/16W [MP444H Only]
R737	VRS-CY1JB103J	AA			10 kohm,1/16W
R738	VRD-ST2CD103J	AA			10 kohm,1/6W
R739	VRD-ST2CD103J	AA			10 kohm,1/6W
R740	VRS-CY1JB102J	AA			1 kohm,1/16W
R741	VRS-CY1JB106J	AA			10 Mohm,1/16W
R742	VRD-ST2CD103J	AA			10 kohm,1/6W
R743	VRD-ST2CD103J	AA			10 kohm,1/6W
R744	VRD-ST2CD103J	AA			10 kohm,1/6W
R745A	VRS-CY1JB103J	AA			10 kohm,1/16W
R745B	VRS-CY1JB122J	AA			1.2 kohms,1/16W
R746	VRD-ST2CD102J	AA			1 kohm,1/6W
R747	VRD-ST2CD102J	AA			1 kohm,1/6W
R748	VRD-ST2CD102J	AA			1 kohm,1/6W
R749	VRD-ST2CD102J	AA			1 kohm,1/6W
R750	VRD-ST2CD102J	AA			1 kohm,1/6W
R751	VRS-CY1JB102J	AA			1 kohm,1/16W
R752A	VRS-CY1JB823J	AA			82 kohms,1/16W
R752B	VRS-CY1JB823J	AA			82 kohms,1/16W
R752C	VRS-CY1JB823J	AA			82 kohms,1/16W
R752D	VRS-CY1JB823J	AA			82 kohms,1/16W
R752E	VRS-CY1JB823J	AA			82 kohms,1/16W
R752F	VRS-CY1JB823J	AA			82 kohms,1/16W
R752G	VRS-CY1JB823J	AA			82 kohms,1/16W
R752H	VRS-CY1JB823J	AA			82 kohms,1/16W
R752i	VRS-CY1JB823J	AA			82 kohms,1/16W
R752J	VRS-CY1JB823J	AA			82 kohms,1/16W
R752K	VRS-CY1JB823J	AA			82 kohms,1/16W
R753A	VRS-CY1JB823J	AA			82 kohms,1/16W
R753B	VRS-CY1JB823J	AA			82 kohms,1/16W
R753C	VRS-CY1JB823J	AA			82 kohms,1/16W
R753D	VRS-CY1JB823J	AA			82 kohms,1/16W
R753E	VRS-CY1JB823J	AA			82 kohms,1/16W
R753F	VRS-CY1JB823J	AA			82 kohms,1/16W
R753G	VRS-CY1JB823J	AA			82 kohms,1/16W
R753H	VRS-CY1JB823J	AA			82 kohms,1/16W

NO.	PARTS CODE	PRICE RANK	NEW MARK	PART RANK	DESCRIPTION
<b>[9] RESISTORS</b>					
R753i	VRS-CY1JB823J	AA			82 kohms,1/16W
R753J	VRS-CY1JB823J	AA			82 kohms,1/16W
R753K	VRS-CY1JB823J	AA			82 kohms,1/16W
R753L	VRS-CY1JB823J	AA			82 kohms,1/16W
R753M	VRS-CY1JB823J	AA			82 kohms,1/16W
R753N	VRS-CY1JB823J	AA			82 kohms,1/16W
R753O	VRS-CY1JB823J	AA			82 kohms,1/16W
R753P	VRS-CY1JB823J	AA			82 kohms,1/16W
R753Q	VRS-CY1JB823J	AA			82 kohms,1/16W
R753R	VRS-CY1JB823J	AA			82 kohms,1/16W
R753S	VRS-CY1JB823J	AA			82 kohms,1/16W
R753T	VRS-CY1JB823J	AA			82 kohms,1/16W
R755	VRD-ST2CD102J	AA			1 kohm,1/6W
R756	VRD-ST2CD103J	AA			10 kohm,1/6W
R757	VRD-ST2CD102J	AA			1 kohm,1/6W
R758	VRS-CY1JB102J	AA			1 kohm,1/16W
R760	VRD-ST2EE470J	AA			47 ohms,1/4W
R761	VRS-CY1JB102J	AA			1 kohm,1/16W
R762	VRS-CY1JB102J	AA			1 kohm,1/16W
R763	VRS-CY1JB332J	AA			3.3 kohms,1/16W
R764	VRS-CY1JB104J	AA			100 kohm,1/16W
R765	VRD-ST2CD122J	AA			1.2 kohms,1/6W
R766	VRD-ST2CD122J	AA			1.2 kohms,1/6W
R767	VRD-ST2CD152J	AA			1.5 kohms,1/6W
R768	VRD-ST2CD202J	AA			2 kohms,1/6W
R769	VRS-CY1JB272J	AA			2.7 kohms,1/16W
R770	VRS-CY1JB392J	AA			3.9 kohms,1/16W
R771	VRS-CY1JB103J	AA			10 kohm,1/16W
R772	VRS-CY1JB562J	AA			5.6 kohms,1/16W
R773	VRD-ST2CD271J	AA			270 ohms,1/6W
R775	VRS-CY1JB820J	AA			82 ohms,1/16W
R776	VRS-CY1JB102J	AA			1 kohm,1/16W
R777	VRS-CY1JB103J	AA			10 kohm,1/16W
R778	VRS-CY1JB103J	AA			10 kohm,1/16W
R779	VRS-CY1JB121J	AA			120 ohms,1/16W
R780	VRD-ST2CD122J	AA			1.2 kohms,1/6W
R781	VRD-ST2CD122J	AA			1.2 kohms,1/6W
R782	VRS-CY1JB152J	AA			1.5 kohms,1/16W
R783	VRS-CY1JB202J	AA			2 kohms,1/16W
R784	VRS-CY1JB272J	AA			2.7 kohms,1/16W
R785	VRS-CY1JB392J	AA			3.9 kohms,1/16W
R786	VRS-CY1JB562J	AA			5.6 kohms,1/16W
R787	VRS-CY1JB103J	AA			10 kohm,1/16W
R788	VRS-CY1JB103J	AA			10 kohm,1/16W
R789	VRS-CY1JB103J	AA			10 kohm,1/16W
R797	VRD-ST2CD103J	AA			10 kohm,1/6W
R799	VRS-CY1JB102J	AA			1 kohm,1/16W
<b>[10] OTHER CIRCUITRY PARTS</b>					
CFW601	QCWNWA178SJZZ				Lead Wire (CFW601A/B)
CFW602	QCWNWA179SJZZ				Lead Wire Ass'y
CFW701	QCWNWA105SJZZ	AB			Lead Wire Ass'y
CNP101	QCNCM999HAFZZ	AD			Plug,8Pin
CNP102	QCNCM999GAFZZ	AD			Plug,7Pin
CNP103A	QCNCMA014SJ07	AB			Plug,7Pin [MP444H]
CNP103A	QCNCM999EAFZZ	AG			Plug,5Pin [MP333H]
CNP103B	QCNCMA014SJ07	AB			Plug,7Pin [MP444H]
CNP103B	QCNCM999EAFZZ	AG			Plug,5Pin [MP333H]
△ CNP201	QCNCM018BSJZZ	AC			Plug,3Pin
△ CNP202	QCNCM018CSJZZ	AC			Plug,3Pin
△ CNP203	QCNCM999CAFZZ	AG			Plug,3Pin [MP444H Only]
△ CNP204	QCNCM998DAFZZ	AB			Plug,4Pin
△ CNP205	QCNCM017BSJZZ	AD			Plug,3Pin
CNP301	QCNCM049BSJZZ	AB			Plug,2Pin
CNP302	QCNCM999MAFZZ	AC			Plug,12Pin
CNP401	QCNCW014RSJZZ	AD			Socket,16Pin
CNP402	QCNCMA018SJ06	AB			Plug,6Pin
CNP403	QCNCM046CSJZZ	AD			Plug,3Pin
CNP405A	QCNCMA013SJ07	AC			Plug,7Pin
CNP406	QCNCM074CSJZZ	AB			Plug,3Pin
CNP407	QCNCMA022SJ03				Plug,3Pin
CNP501	QCNCW015QSJZZ	AE			Socket,15Pin
CNP601	QCNCM999CAFZZ	AG			Plug,3Pin
CNP602	QCNCM999HAFZZ	AD			Plug,8Pin
CNP603	QCNCM073CSJZZ	AB			Plug,3Pin
CNW101	QCWNWA080SJZZ				Connector Ass'y,9/8Pin with CNS101
CNW102	QCWNWA174SJZZ				Connector Ass'y,8/7Pin with CNS102
CNW103	QCWNWA020SJZZ	AE			Connector Ass'y,7/7Pin [MP444H]
CNW103	QCWNWA180SJZZ				Connector Ass'y,5/5Pin [MP333H]

XL-MP333H/XL-MP444H

NO.	PARTS CODE	PRICE RANK	NEW MARK	PART RANK	DESCRIPTION
<b>[10] OTHER CIRCUITRY PARTS</b>					
△	CNW201	QCNWNA175SJZZ			Connector Ass'y,3/3Pin with CNS201
	CNW203	QCNWNA035SJZZ	AC		Connector Ass'y,3Pin [MP444H]
	CNW302	QCNWNA079SJZZ			Connector Ass'y,13/12Pin with CNS302
	CNW402	QCNWNA186SJZZ			Connector Ass'y,6/6Pin
	CNW403	QCNWNA124SJZZ			Connector Ass'y,4/3Pin with CNS403
	CNW405	QCNWNA173SJZZ			Connector Ass'y,8/7Pin with CNS405
	CNW406	QCNWNA121SJZZ			Connector Ass'y,4/3Pin with CNS406
	CNW407	QCNWNA122SJZZ			Connector Ass'y,4/3Pin with CNS407
	CNW601	QCNWNA123SJZZ			Connector Ass'y,4/3Pin with CNS603
	CNW602	QCNWNA176SJZZ			Connector Ass'y,9/8Pin with CNS602
	CNW603	QCNWNA125SJZZ			Connector Ass'y,3/3Pin with CNS601
△	F201	QFS-D322CAWN i	AC		Fuse,T3.15A L 250V [MP333H]
△	F201	QFS-D502CAWN i	AC		Fuse,T5A L 250V [MP444H]
△	F202	QFS-D322CAWN i	AC		Fuse,T3.15A L 250V [MP333H]
△	F202	QFS-D502CAWN i	AC		Fuse,T5A L 250V [MP444H]
△	F203	QFS-D162CAWN i	AC		Fuse,T1.6A L 250V
	FC401	QCNWNA014SJZZ	AD		Flat Cable,16Pin
	FC501	QCNWNA013SJZZ	AE		Flat Cable,15Pin
	FE301	RTUNS0027AWZZ	AU		FM Front End
	JK101	QJAKMA001SJZZ	AG		Jack,Headphones [MP444H]
	JK101A	QJAKM0001SJZZ	AG		Jack,Headphones [MP333H]
	M201	RMOTV0409AFZZ	AL		Motor,Air Cooling Fan(218-4) [MP444H Only]
	MR401	RCORFA004SJZZ	AE		Core
	RLY101	RRLYD0014AWZZ	AK		Relay
	RLY102	RRLYDA001SJZZ	AH		Relay [MP444H Only]
△	RLY201	RRLYD0004SJZZ	AG		Relay
	RX701	VHLGP1UD261-1	AK		Remote Sensor,GP1UD261
	SO101	QTANAA001SJZZ	AF		Terminal,Speaker [MP444H]
	SO101	QTANAA003SJZZ			Terminal,Speaker [MP333H]
△	SO202	QSOCA0212AWZZ	AD		Socket AC Input
	SO301	QTANC9006SJZZ	AD		FM Antenna Terminal
	SO401	QSOCZA002SJZZ			Terminal,USB
	SO601	QSOCJA003SJZZ			Socket,Audio In
	SO603A	QSOCJA004SJZZ			Socket,Video Out
	SW700	QSW-Z0003SJZZ	AG		Switch,Rotary Type,Jog [VOLUME]
	SW701	QSW-K0002SJZZ	AC		Switch,Key Type [EQUALISER]
	SW702	QSW-K0002SJZZ	AC		Switch,Key Type [TUNING DOWN/STOP]
	SW703	QSW-K0002SJZZ	AC		Switch,Key Type [TUNING UP/PLAY]
	SW704	QSW-K0002SJZZ	AC		Switch,Key Type [PRESET UP]
	SW705	QSW-K0002SJZZ	AC		Switch,Key Type [PRESET DOWN]
	SW706	QSW-K0002SJZZ	AC		Switch,Key Type [DISC 1]
	SW707	QSW-K0002SJZZ	AC		Switch,Key Type [DISC 2]
	SW708	QSW-K0002SJZZ	AC		Switch,Key Type [MEMORY/SET]
	SW709	QSW-K0002SJZZ	AC		Switch,Key Type [ON/STAND-BY]
	SW710	QSW-K0002SJZZ	AC		Switch,Key Type [X-BASS/DEMO]
	SW711	QSW-K0002SJZZ	AC		Switch,Key Type [DVD/CD]
	SW712	QSW-K0002SJZZ	AC		Switch,Key Type [TUNER (BAND)]
	SW713	QSW-K0002SJZZ	AC		Switch,Key Type [VIDEO/AUX]
	SW714	QSW-K0002SJZZ	AC		Switch,Key Type [DISC 3]
	SW715	QSW-K0002SJZZ	AC		Switch,Key Type [DISC 4]
	SW716	QSW-K0002SJZZ	AC		Switch,Key Type [DISC 5]
	SW717	QSW-K0002SJZZ	AC		Switch,Key Type [OPEN/CLOSE]
	VFD701	VVK251116// -1	AV		FL Display
	VR351	RVR-M0026AWZZ	AC		10 kohm (B),Semi-VR [FM Mute Level]

[11] CHANGER MECHANISM PARTS

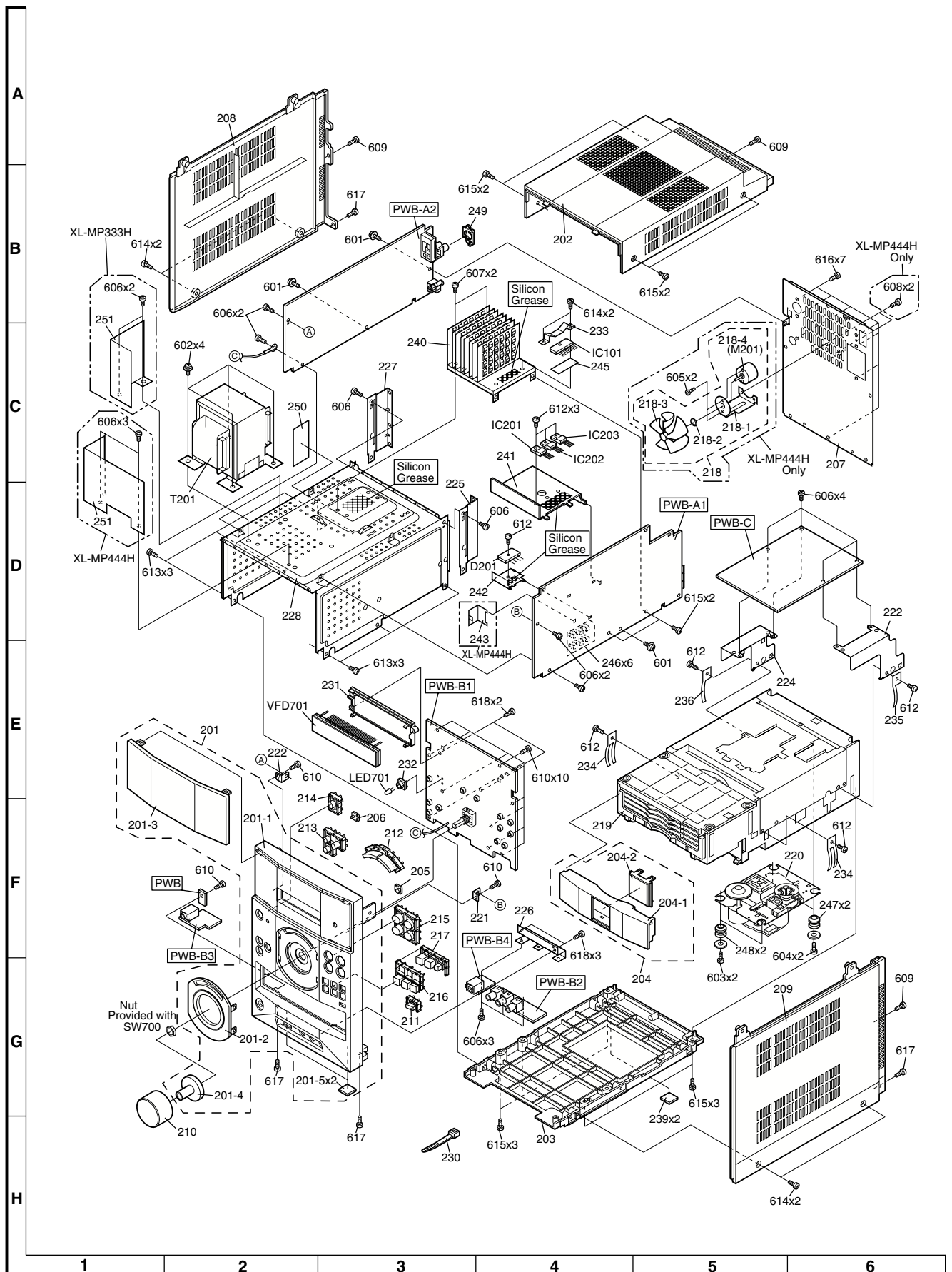


XL-MP333H/XL-MP444H

NO.	PARTS CODE	PRICE RANK	NEW MARK	PART RANK	DESCRIPTION
<b>[11] CHANGER MECHANISM PARTS</b>					
101	9GD662641004				Drawer L
102	9GD662641033				Drawer R
103	9GD660934115H				Disc 1 Carriage Ass'y
104	9GD662192019				Frame
105	9GD662393025				Arm Switch C
106	9GD662224013	AD			Gear D1
107	9GD662224014	AD			Gear D2
108	9GD662393018	AG			Arm Switch D
109	9GD662393024	AF			Arm Switch B
110	9GD662393020	AE			Arm Lock
111	9GD582593021	AE			Lever GC
112	9GD581194039	AE			S Bracket
113	9GD662224010	AG			Gear Pulley
114	9GD661192094	AU			Cover
115	9GD6609341103H				Clamper SA-S Ass'y
116	9GD662392085	AP			Arm Clamper
117	9GD662393007	AK			Lift Slider L
118	9GD662393005	AK			PP Slider
119	9GD662112002	AR			FL Base
120	9GD662393008	AK			Lift Slider R
121	9GD662113026	AN			Up/Down Base
122	9GD662393006	AK			Up/Down Slider
123	9GD662101001	AZ			Main Chassis
124	9GD660934077H	AM			Solenoid Ass'y
125	9GD660934073H				Motor Ass'y
126	9GD662392022	AL			Arm Lift
127	9GD662224015	AD			Gear E
128	9GD662393039	AF			Arm CC Switch
129	9GD662224016	AD			Gear F
130	9GD663634068	AG			Gear E Collar
131	9GD662393017	AF			Arm P Switch
132	9GD660934076H	BA			CD Changer PWB Ass'y
133	9GD660934072H	AK			Switch PWB Ass'y
134	9GD662393023	AF			Arm Switch A
135	9GD662233009				Gear B
136	9GD662192003	AL			Plate Cam
137	9GD662213021	AM			Gear Cam
138	9GD662593086	AG			Lever CL 1
139	9GD662593090				Lever CL 2
140	9GD662224088	AH			Gear 1
141	9GD662224089	AH			Gear 2
142	9GD660004091	AD			Felt
143	9GD010814711	AC			Gear E Spring
144	9GD010814710	AC			Gear 1 Spring
145	9GD010814712	AC			Gear D Spring
146	9GD660824059	AD			Stop Spring L
147	9GD660824060	AD			Stop Spring R
148	9GD010824096				Spring
149	9GD010804727				Spring A
150	9GD010824717	AG			Spring B
151	9GD010824718	AD			Spring C
152	9GD010824735	AC			Spring 1
153	9GD010824736	AD			Spring 2
154	9GD010824737				Spring SL
155	9GD010824738				Spring SR
156	9GD010814739				Spring Gear B
157	9GD660934117H				Disc 2 Carriage Ass'y
158	9GD660934118H				Disc 3 Carriage Ass'y
159	9GD660934119H				Disc 4 Carriage Ass'y
160	9GD660934120H				Disc 5 Carriage Ass'y
161	9GDGSL20A2606	AB			Screw,M2.5x6mm
162	9GDGSP14A2504				Screw,M2.5x4mm
163	9GDGSL15A2616				Screw,M2.5x16mm
164	9GDGSL15A2608				L Screw,M2.5x8mm
165	9GD033004585	AB			Screw,M2x6mm
166	9GD033004581	AB			Screw,M2x3mm
167	9GD033004577	AC			Screw,M2x16mm
168	GWP65X110030				Washer
169	9GD020834262	AG			Belt
170	9GD033004584	AB			Screw,M2.5x5mm



[12] CABINET PARTS



XL-MP333H/XL-MP444H

NO.	PARTS CODE	PRICE RANK	NEW MARK	PART RANK	DESCRIPTION
<b>[12] CABINET PARTS</b>					
201	CPNLCA007SJ01				Front Panel Ass'y [MP444H]
201	CPNLCA007SJ03				Front Panel Ass'y [MP333H]
201- 1	-----				Front Panel
201- 2	HDECQA024SJSA	AF			Decoration Panel,Center
201- 3	HDECQA073SJSA				Window [MP333H]
201- 3	HDECQA074SJSA				Window [MP444H]
201- 4	LHLDZA028SJSA	AD			Holder,Jog Knob
201- 5	PCUSG0017SJSA	AB			Cushion,Leg
202	GCABCA011SJSB	AM			Top Cabinet
203	GCABDA012SJSC	AL			Chassis,Main
204	GCOVAA005SJ02	AH			Changer Cover Ass'y
204- 1	-----				Changer Cover
204- 2	HDECQA023SJSA	AE			Panel,Changer Cover
205	GCOVAA006SJSA	AD			Indicator
206	GCOVAA007SJSA	AD			Cover,Sensor
207	GiTARA027SJSA				Rear Panel [MP333H]
207	GiTARA029SJSA				Rear Panel [MP444H]
208	GiTASA007SJSB	AM			Side Panel,Left
209	GiTASA008SJSB	AM			Side Panel,Right
210	JKNBKA002SJSA	AF			Knob,Jog
211	JKNBZA008SJSB	AD			Button,OPEN/CLOSE
212	JKNBZA009SJSB	AF			Button,X-BASS
213	JKNBZA010SJSA	AE			Button,TUNER
214	JKNBZA011SJSA	AD			Button,POWER
215	JKNBZA013SJSA	AF			Button,PLAY
216	JKNBZA014SJSB	AE			Button,CD Select,A
217	JKNBZA015SJSB	AE			Button,CD Select,B
218	CFANP0001SJ05	AN			Fan Motor Ass'y [MP444H Only]
218- 1	LANGKA004SJFW	AD			Bracket,Fan Motor
218- 2	MSPRK0001SJFJ	AC			Spring,Fan Stoper
218- 3	NFANP0001SJSA	AG			Fan
218- 4	RMOTV0409AFZZ	AL			Motor,Air Cooling Fan(M201)
219	KMECZA001SJZZ	BM			CD Changer Unit Ass'y
220	KRPLE0025SJM2	BB			CD Mechanism Unit Ass'y
221	LANGKA005SJFW	AB			Bracket,Main PWB
222	LANGKA017SJFW	AE			Bracket,CD PWB R
224	LANGKA018SJFW	AE			Bracket,CD PWB L
225	LANGKA059SJFW				Bracket,Sub Chassis R
226	LANGKA040SJFW				Bracket,Terminal PWB
227	LANGKA058SJFW				Bracket,Sub Chassis L
228	LCHSSA003SJFW				Chassis,Sub
230	LHLDW1001SJZZ	AD			Nylon Band
231	LHLDZA011SJSA	AC			Holder,FL Display
232	LHLDZA018SJZZ	AB			Holder,LED
233	MSPRKA001SJFW	AC			Plate Spring,IC
234	MSPRKA002SJFW	AB			Plate Spring,A
235	MSPRKA003SJFW	AB			Plate Spring,B
236	MSPRKA004SJFW	AB			Plate Spring,C
239	PCUSG0017SJSA	AB			Cushion,Leg
240	PRDARA003SJFW	AN			Heat Sink,Main
241	PRDARA004SJFW	AE			Heat Sink,A
242	PRDARA006SJFW	AC			Heat Sink,B
243	PRDARA011SJFW	AC			Heat Sink,C [MP444H Only]
245	PSHEZA001SJZZ	AC			Silicon Sheet
246	QFSHD1013CEZZ	AB			Holder,Fuse
247	9GD450633201	AE			Insulator (Purple)
248	9GD450633202	AE			Insulator (Gray)
249	GCOVH1016SJSA	AC			Cover,FM
250	TLABS0042SJZZ	AB			Label,Laser
251	PSLDM005SJFW				Shield Plate [MP333H]
251	PSLDM006SJFW				Shield Plate [MP444H]
601	LX-JZ0001SJFD	AA			Screw,M3x10mm
602	LX-JZ0002SJFD	AD			Screw,Special
603	LX-JZA001SJFN	AB			Screw,M3x10mm
604	LX-JZA002SJFN	AB			Screw,Special
605	XHBSD20P03000	AA			Screw,M2x3mm [MP444H Only]
606	XHBSD30P06000	AA			Screw,M3x6mm
607	XHBSD30P12000	AA			Screw,M3x12mm
608	XHBSF30P06000	AA			Screw,M3x6mm [MP444H Only]
609	XHBSF30P08000	AA			Screw,M3x8mm
610	XJBSD25P08000	AC			Screw,M2.5x8mm
612	XJBSD30P06000	AA			Screw,M3x6mm
613	XJBSD30P08000	AA			Screw,M3x8mm
614	XJBSD30P10000	AA			Screw,M3x10mm
615	XJBSF30P08000	AA			Screw,M3x8mm
616	XJBSF30P10000	AA			Screw,M3x10mm
617	XJBSF30P12000	AA			Screw,M3x12mm
618	XJPSF30P06000	AA			Screw,M3x6mm
<b>[13] SPEAKER BOX PARTS</b>					
	B3CPMP33H				Speaker Box Ass'y,L-CH/R-CH [MP333H]
	B3CPMP44HF				Speaker Box Ass'y,L-CH/R-CH [MP444H]
	B3CPMP44HSW				Sub Woofer Box Ass'y [MP444H Only]

NO.	PARTS CODE	PRICE RANK	NEW MARK	PART RANK	DESCRIPTION
<b>[14] ACCESSORIES/PACKING PARTS</b>					
△	1	QACCE0002SJZZ	AH		AC Power Supply Cord
	2	QANTL0005SJZZ	AG		AM Loop Antenna
	3	QANTWA001SJZZ	AF		FM Antenna
	4	RRMCGA014SJSA			Remote Control [MP333H]
	4	RRMCGA015SJSA			Remote Control [MP444H]
	400100	GCOVAA026SJSA			Battery Lid,Remote Control
	5	SPAKAA032SJZZ	AF		Packing Add.,Unit,Left
	6	SPAKAA033SJZZ	AF		Packing Add.,Unit,Right
	7	SPAKCA070SJZZ			Packing Case [MP444H]
	8	SPAKCA072SJZZ			Packing Case [MP333H]
	9	SPAKPA002SJZZ	AE		Main Set Sleeve Cartion
	10	SPAKSA015SJZZ			Sleeve [MP333H Only]
	11	SSAKA0014SJZZ	AB		Polyethylene Bag,Accessories
	12	SSAKHA006SJZZ	AD		Main Set Poiy Bag (Inner)
	13	SSAKHA014SJZZ	AD		Main Set Poiy Bag (outer)
	14	TLABZ0034SJZZ	AC		Label,Saving Energy
	15	TINSZA022SJZZ	AN		Operation Manual
	16	TLABZ0067SJZZ	AB		Label,Energy
	17	TLABZA036SJZZ			Label,Pop [MP333H]
	18	TLABZA037SJZZ			Label,Pop [MP444H]
	19	-----			Battery (Not Replacement Item)
	20	QCNWGA009SJZZ			USB Cable
<b>[15] P.W.B. ASSEMBLY (Not Replacement Item)</b>					
△	PWB-A	DCEKKV468SJ03	-		Power(A1)/Tuner(A2) [MP444H]
△	PWB-A	DCEKKV470SJ03	-		Power(A1)/Tuner(A2) [MP333H]
	PWB-B	DCEKNV468SJ03	-		Display(B1)/AUX(B2)/Jack(B3)/USB(B4) [MP444H]
	PWB-B	DCEKNV470SJ03	-		Display(B1)/AUX(B2)/Jack(B3)/USB(B4) [MP333H]
	PWB-C	DCEKSV468SJ03			CD Servo
<b>[16] OTHER SERVICE PARTS</b>					
		UDSKA0004AFZZ	AZ		CD Optical Pickup Lens Cleaner Disc

INDEX

PARTS CODE	No.	PRICE RANK	NEW MARK	PART RANK
<b>[ B ]</b>				
B3CPMP33H	13-			
B3CPMP44HF	13-			
B3CPMP44HSW	13-			
<b>[ C ]</b>				
CFANP0001SJ05	12-218	AN		
CPNLCA007SJ01	12-201			
CPNLCA007SJ03	12-201			
<b>[ D ]</b>				
DCEKKV468SJ03	15-PWB-A	-		
DCEKKV470SJ03	15-PWB-A	-		
DCEKNV468SJ03	15-PWB-B	-		
DCEKNV470SJ03	15-PWB-B	-		
DCEKSV468SJ03	15-PWB-C			
<b>[ G ]</b>				
GCABCA011SJSB	12-202	AM		
GCABDA012SJSB	12-203	AL		
GCÖVAA005SJ02	12-204	AH		
GCÖVAA006SJSB	12-205	AD		
GCÖVAA007SJSB	12-206	AD		
GCÖVAA026SJSB	14-401100			
GCÖVH1016SJSB	12-249	AC		
GiTARA027SJSB	12-207			
GiTARA029SJSB	12-207			
GiTASA007SJSB	12-208	AM		
GiTASA008SJSB	12-209	AM		
GWP65X110030	11-168			
<b>[ H ]</b>				
HDECQA023SJSB	12-204- 2	AE		
HDECQA024SJSB	12-201- 2	AF		
HDECQA073SJSB	12-201- 3			
HDECQA074SJSB	12-201- 3			
<b>[ J ]</b>				
JKNBKA002SJSB	12-210	AF		
JKNBZA008SJSB	12-211	AD		
JKNBZA009SJSB	12-212	AF		
JKNBZA010SJSB	12-213	AE		
JKNBZA011SJSB	12-214	AD		
JKNBZA013SJSB	12-215	AF		
JKNBZA014SJSB	12-216	AE		
JKNBZA015SJSB	12-217	AE		
<b>[ K ]</b>				
KMECZA001SJZZ	12-219	BM		
KRPLE0025JM2	12-220	BB		
<b>[ L ]</b>				
LANGKA004SJFW	12-218- 1	AD		
LANGKA005SJFW	12-221	AB		
LANGKA017SJFW	12-222	AE		
LANGKA018SJFW	12-224	AE		
LANGKA040SJFW	12-226			
LANGKA058SJFW	12-227			
LANGKA059SJFW	12-225			
LCHSSA003SJFW	12-228			
LHLDW1001SJZZ	12-230	AD		
LHLDZA011SJSB	12-231	AC		
LHLDZA018SJZZ	12-232	AB		
LHLDZA028SJSB	12-201- 4	AD		
LX-JZ0001SJFD	12-601	AA		
LX-JZ0002SJFD	12-602	AD		
LX-JZA001SJFN	12-603	AB		
LX-JZA002SJFN	12-604	AB		
<b>[ M ]</b>				
MSPRK0001SJFJ	12-218- 2	AC		
MSPRKA001SJFW	12-233	AC		
MSPRKA002SJFW	12-234	AB		
MSPRKA003SJFW	12-235	AB		
MSPRKA004SJFW	12-236	AB		
<b>[ N ]</b>				
NFANP0001SJSB	12-218- 3	AG		
<b>[ P ]</b>				
PCUSG0017SJSB	12-239	AB		
"	12-201- 5	AB		
PRDARA003SJFW	12-240	AN		
PRDARA004SJFW	12-241	AE		
PRDARA006SJFW	12-242	AC		
PRDARA011SJFW	12-243	AC		
PSHEZA001SJZZ	12-245	AC		
PSLDMA005SJFW	12-251			
PSLDMA006SJFW	12-251			

PARTS CODE	No.	PRICE RANK	NEW MARK	PART RANK
<b>[ Q ]</b>				
QACCE0002SJZZ	14-1		AH	
QANTL0005SJZZ	14-2		AG	
QANTWA001SJZZ	14-3		AF	
QCNCM017BSJZZ	10-CNP205		AD	
QCNCM018BSJZZ	10-CNP201		AC	
QCNCM018CSJZZ	10-CNP202		AC	
QCNCM046CSJZZ	10-CNP403		AD	
QCNCM049BSJZZ	10-CNP301		AB	
QCNCM073CSJZZ	10-CNP603		AB	
QCNCM074CSJZZ	10-CNP406		AB	
QCNCM998DAFZZ	10-CNP204		AB	
QCNCM999CAFZZ	10-CNP203		AG	
"	10-CNP601		AG	
QCNCM999EAFZZ	10-CNP103A		AG	
"	10-CNP103B		AG	
QCNCM999GAFZZ	10-CNP102		AD	
QCNCM999HAFZZ	10-CNP101		AD	
"	10-CNP602		AD	
QCNCM999MAFZZ	10-CNP302		AC	
QCNCMA013SJ07	10-CNP405A		AC	
QCNCMA014SJ07	10-CNP103A		AB	
"	10-CNP103B		AB	
QCNCMA018SJ06	10-CNP402		AB	
QCNCMA022SJ03	10-CNP407			
QCNCW014RSJZZ	10-CNP401		AD	
QCNCW015QSJZZ	10-CNP501		AE	
QCNCWA009SJZZ	14-20			
QCNCWA013SJZZ	10-FC501		AE	
QCNCWA014SJZZ	10-FC401		AD	
QCNCWA020SJZZ	10-CNW103		AE	
QCNCWA035SJZZ	10-CNW203		AC	
QCNCWA079SJZZ	10-CNW302			
QCNCWA080SJZZ	10-CNW101			
QCNCWA105SJZZ	10-CFW701		AB	
QCNCWA121SJZZ	10-CNW406			
QCNCWA122SJZZ	10-CNW407			
QCNCWA123SJZZ	10-CNW601			
QCNCWA124SJZZ	10-CNW403			
QCNCWA125SJZZ	10-CNW603			
QCNCWA173SJZZ	10-CNW405			
QCNCWA174SJZZ	10-CNW102			
QCNCWA175SJZZ	10-CNW201			
QCNCWA176SJZZ	10-CNW602			
QCNCWA178SJZZ	10-CFW601			
QCNCWA179SJZZ	10-CFW602			
QCNCWA180SJZZ	10-CNW103			
QCNCWA186SJZZ	10-CNW402			
QFS-D162CAWN i	10-F203		AC	
QFS-D322CAWN i	10-F201		AC	
"	10-F202		AC	
QFS-D502CAWN i	10-F201		AC	
"	10-F202		AC	
QFSDH1013CEZZ	12-246		AB	
QJAKM0001SJZZ	10-JK101A		AG	
QJAKMA001SJZZ	10-JK101		AG	
QSÖCA0212AWZZ	10-SÖ202		AD	
QSÖCJA003SJZZ	10-SÖ601			
QSÖCJA004SJZZ	10-SÖ603A			
QSÖCZA002SJZZ	10-SÖ401			
QSW-K0002SJZZ	10-SW701		AC	
"	10-SW702		AC	
"	10-SW703		AC	
"	10-SW704		AC	
"	10-SW705		AC	
"	10-SW706		AC	
"	10-SW707		AC	
"	10-SW708		AC	
"	10-SW709		AC	
"	10-SW710		AC	
"	10-SW711		AC	
"	10-SW712		AC	
"	10-SW713		AC	
"	10-SW714		AC	
"	10-SW715		AC	
"	10-SW716		AC	
"	10-SW717		AC	
QSW-Z0003SJZZ	10-SW700		AG	
QTANAA001SJZZ	10-SÖ101		AF	
QTANAA003SJZZ	10-SÖ101			

PARTS CODE	No.	PRICE RANK	NEW MARK	PART RANK
QTANC9006SJZZ	10-S0301	AD		
<b>【 R 】</b>				
RBLN-0001SJZZ	6-L341	AE		
RBLN-A001SJZZ	6-L404	AB		
"	6-L408	AB		
RBLN-A003SJZZ	6-L401			
"	6-L402			
"	6-L406			
"	6-L407			
RBLN-A004SJZZ	6-L409			
"	6-L410			
RC-EZD105AF1C	8-C425	AB		
"	8-C435	AB		
"	8-C443	AB		
RC-EZD106AF1C	8-C409	AB		
"	8-C418	AB		
"	8-C440	AB		
"	8-C460	AB		
RC-EZD107AF1A	8-C709	AB		
RC-EZD107AF1C	8-C405	AC		
"	8-C408	AC		
"	8-C415	AC		
"	8-C417	AC		
"	8-C419	AC		
"	8-C436	AC		
"	8-C458	AC		
RC-EZD225AF1C	8-C463			
RC-EZD227AF1A	8-C706	AC		
RC-EZD227AF1C	8-C498	AB		
"	8-C404A	AB		
"	8-C404B	AB		
RC-EZD336AF1C	8-C457	AB		
"	8-C465	AB		
"	8-C712	AB		
RC-EZD476AF1C	8-C402	AC		
"	8-C499	AC		
"	8-C506	AC		
"	8-C716	AC		
RC-EZD477AF1A	8-C459			
"	8-C476			
"	8-C487			
RC-GZA105AF1C	8-C601	AB		
"	8-C602	AB		
"	8-C605	AB		
"	8-C606	AB		
"	8-C615	AB		
"	8-C616	AB		
"	8-C624	AB		
"	8-C625	AB		
RC-GZA105AF1H	8-C104	AB		
"	8-C105	AB		
"	8-C106	AB		
"	8-C358	AB		
"	8-C367	AB		
"	8-C368	AB		
"	8-C370	AB		
"	8-C371	AB		
"	8-C372	AB		
"	8-C393	AB		
"	8-C607	AB		
"	8-C608	AB		
"	8-C609	AB		
"	8-C610	AB		
RC-GZA106AF1C	8-C224	AB		
"	8-C333	AB		
"	8-C352	AB		
"	8-C364	AB		
"	8-C380	AB		
"	8-C656	AB		
"	8-C661	AB		
"	8-C662	AB		
"	8-C663	AB		
"	8-C664	AB		
"	8-C665	AB		
"	8-C666	AB		
"	8-C667	AB		
"	8-C668	AB		
"	8-C670	AB		
"	8-C678	AB		
"	8-C693	AB		
"	8-C696	AB		
RC-GZA106AF1H	8-C107	AB		

PARTS CODE	No.	PRICE RANK	NEW MARK	PART RANK
"	8-C108	AB		
"	8-C109	AB		
RC-GZA107AF1A	8-C396	AB		
"	8-C398	AB		
RC-GZA107AF1C	8-C348	AB		
"	8-C618	AB		
"	8-C669	AB		
RC-GZA107AF1H	8-C210	AC		
"	8-C225	AC		
"	8-C226	AC		
RC-GZA107AF1V	8-C135	AB		
"	8-C136	AB		
RC-GZA225AF1H	8-C357	AB		
RC-GZA226AF1C	8-C305	AB		
"	8-C652	AB		
RC-GZA227AF1E	8-C220	AB		
RC-GZA335AF1C	8-C141	AB		
RC-GZA335AF1H	8-C362	AB		
RC-GZA336AF1C	8-C134	AB		
"	8-C617	AB		
"	8-C671	AB		
RC-GZA476AF1A	8-C117	AB		
RC-GZA476AF1C	8-C142	AB		
"	8-C223	AB		
"	8-C375	AB		
"	8-C391	AB		
"	8-C394	AB		
"	8-C640	AB		
RC-GZA476AF1E	8-C222	AB		
"	8-C229	AB		
"	8-C639	AB		
RC-GZA476AF1H	8-C139	AB		
"	8-C208	AB		
RC-GZA477AF1C	8-C217	AC		
RC-GZA687AF1A	8-C201	AB		
RC-GZV227AF1H	8-C207	AC		
RC-GZV228AF1C	8-C202	AG		
RC-GZV337AF1V	8-C209	AB		
RC-GZW478AF1V	8-C211	AH		
"	8-C212	AH		
RC-GZW688AF1E	8-C214	AH		
RCIL A0007SJZZ	5-T302	AG		
RCIL B0009SJZZ	5-T306	AG		
RCIL CA002SJZZ	6-L602	AB		
RCIL CA005SJZZ	6-L403			
"	6-L405			
"	6-L411			
"	6-L412			
"	6-L413			
RCIL i0004SJZZ	5-T351	AF		
RCIL Z0005SJZZ	6-LF201	AF		
RCIL Z0024AWZZ	6-L107	AC		
"	6-L108	AC		
"	6-L109	AC		
RCORFA004SJZZ	10-MR401	AE		
RC-QZA104AFYJ	8-C613	AC		
"	8-C614	AC		
"	8-C674	AC		
"	8-C676	AC		
"	8-C694	AC		
"	8-C695	AC		
RCRM-0007SJZZ	7-X351	AG		
RCRM-0008SJZZ	7-X402	AG		
"	7-X702	AG		
RCRSP0003SJZZ	7-X352	AL		
RCRSP0005SJZZ	7-X321	AF		
RCRSPA002SJZZ	7-X401	AE		
RCRSPA007SJZZ	7-X701	AE		
RFIL A0003SJZZ	4-CF352	AF		
RFIL F0003AWZZ	4-CF351	AK		
RFIL F0072AFZZ	4-CF301	AG		
"	4-CF302	AG		
RFIL L0001SJZZ	6-L354	AF		
RH-iX0058SJZZ	1-iC701	BH		
RH-iXA020SJZZ	1-iC405			
RMOTV0409AFZZ	10-M201	AL		
"	12-218-4	AL		
RRLYD0004SJZZ	10-RLY201	AG		
RRLYD0014AWZZ	10-RLY101	AK		
RRLYDA001SJZZ	10-RLY102	AH		
RRMCGA014SJSJA	14-4			
RRMCGA015SJSJA	14-4			

XL-MP333H/XL-MP444H

PARTS CODE	No.	PRICE RANK	NEW MARK	PART RANK
RTRNP0120SJZZ	5-T202	AM		
RTRNPA013SJZZ	5-T201			
RTRNPA019SJZZ	5-T201			
RTUNSO027AWZZ	10-FE301	AU		
RVR-M0026AWZZ	10-VR351	AC		
<b>【 S 】</b>				
SPAKAA032SJZZ	14-5	AF		
SPAKAA033SJZZ	14-6	AF		
SPAKCA070SJZZ	14-7			
SPAKCA072SJZZ	14-8			
SPAKPA002SJZZ	14-9	AE		
SPAKSA015SJZZ	14-10			
SSAKA0014SJZZ	14-11	AB		
SSAKHA006SJZZ	14-12	AD		
SSAKHA014SJZZ	14-13	AD		
<b>【 T 】</b>				
TINSZA022SJZZ	14-15	AN		
TLABS0042SJZZ	12-250	AB		
TLABZ0034SJZZ	14-14	AC		
TLABZ0067SJZZ	14-16	AB		
TLABZA036SJZZ	14-17			
TLABZA037SJZZ	14-18			
<b>【 U 】</b>				
UDSKA0004AFZZ	16-	AZ		
<b>【 V 】</b>				
VCCCCY1HH100J	8-C439	AA		
"	8-C441	AA		
VCCCCY1HH120J	8-C381	AA		
VCCCCY1HH150J	8-C382	AA		
VCCCCY1HH220J	8-C340	AA		
"	8-C342	AA		
"	8-C473	AA		
"	8-C474	AA		
"	8-C489	AA		
"	8-C490	AA		
VCCCCY1HH240J	8-C703	AA		
"	8-C704	AA		
VCCCPA1HH120J	8-C330	AA		
VCCSCY1HL101J	8-C414	AA		
"	8-C466	AA		
"	8-C708	AA		
VCCSCY1HL220J	8-C355	AD		
VCCSCY1HL330J	8-C343	AD		
"	8-C344	AD		
VCCSCY1HL470J	8-C149	AA		
"	8-C416	AA		
"	8-C469	AA		
"	8-C470	AA		
VCCSCY1HL560J	8-C369	AD		
VCCSPA1HL470J	8-C148	AA		
"	8-C150	AA		
VCCUPA1HJ270J	8-C334	AA		
VCFYFA1HA104J	8-C125	AC		
"	8-C126	AC		
"	8-C127	AC		
"	8-C128	AC		
"	8-C129	AC		
"	8-C130	AC		
"	8-C203	AC		
"	8-C204	AC		
"	8-C205	AC		
"	8-C206	AC		
VCFYFA1HA473J	8-C221	AB		
"	8-C227	AB		
"	8-C228	AB		
VCKYCY1CF105Z	8-C110	AB		
"	8-C111	AB		
VCKYCY1EB103K	8-C713	AA		
VCKYCY1EB104K	8-C622	AD		
"	8-C623	AD		
"	8-C701	AD		
"	8-C702	AD		
"	8-C705	AD		
"	8-C707	AD		
"	8-C711	AD		
VCKYCY1EF103Z	8-C376	AA		
"	8-C388	AA		
VCKYCY1EF104Z	8-C338	AA		
"	8-C359	AA		
"	8-C406	AA		
"	8-C407	AA		
"	8-C410	AA		

PARTS CODE	No.	PRICE RANK	NEW MARK	PART RANK
"	8-C411	AA		
"	8-C413	AA		
"	8-C421	AA		
"	8-C422	AA		
"	8-C424	AA		
"	8-C431	AA		
"	8-C447	AA		
"	8-C448	AA		
"	8-C482	AA		
"	8-C486	AA		
VCKYCY1EF123Z	8-C301	AA		
VCKYCY1EF223Z	8-C329	AB		
"	8-C341	AB		
"	8-C345	AB		
"	8-C346	AB		
"	8-C347	AB		
"	8-C350	AB		
"	8-C351	AB		
"	8-C353	AB		
"	8-C354	AB		
"	8-C360	AB		
"	8-C361	AB		
"	8-C363	AB		
"	8-C365	AB		
"	8-C377	AB		
"	8-C383	AB		
"	8-C387	AB		
"	8-C395	AB		
"	8-C397	AB		
"	8-C397	AB		
"	8-C515	AB		
VCKYCY1EF473Z	8-C331	AB		
"	8-C412	AB		
"	8-C432	AB		
"	8-C657	AB		
"	8-C710	AB		
VCKYCY1HB102K	8-C302	AA		
"	8-C349	AA		
"	8-C356	AA		
"	8-C366	AA		
"	8-C384	AA		
"	8-C392	AA		
"	8-C403	AA		
"	8-C437	AA		
"	8-C442	AA		
"	8-C472	AA		
"	8-C483	AA		
"	8-C484	AA		
"	8-C485	AA		
"	8-C714	AA		
"	8-C715	AA		
VCKYCY1HB104K	8-C137	AC		
"	8-C138	AD		
"	8-C427	AD		
"	8-C433	AD		
"	8-C445	AD		
"	8-C446	AD		
"	8-C449	AD		
"	8-C450	AD		
"	8-C451	AD		
"	8-C452	AD		
"	8-C453	AD		
"	8-C455	AD		
"	8-C456	AD		
"	8-C461	AD		
"	8-C462	AD		
"	8-C464	AD		
"	8-C468	AD		
"	8-C475	AD		
"	8-C477	AD		
"	8-C478	AD		
"	8-C479	AD		
"	8-C480	AD		
"	8-C481	AD		
"	8-C488	AD		
"	8-C494	AD		
"	8-C496	AD		
"	8-C622	AD		
VCKYCY1HB151K	8-C160	AA		
"	8-C161	AA		
"	8-C162	AA		
VCKYCY1HB221K	8-C101	AA		
"	8-C102	AA		

PARTS CODE	No.	PRICE RANK	NEW MARK	PART RANK
"	8-C103	AA		
"	8-C619	AA		
"	8-C620	AA		
"	8-C621	AA		
"	8-C681	AA		
"	8-C683	AA		
VCKYCY1HB222K	8-C140	AA		
"	8-C420	AA		
"	8-C423	AA		
VCKYCY1HB331K	8-C112	AA		
"	8-C113	AA		
"	8-C633	AA		
"	8-C634	AA		
"	8-C112A	AA		
"	8-C113A	AA		
VCKYCY1HB332K	8-C493	AA		
VCKYCY1HB471K	8-C428	AA		
"	8-C429	AA		
"	8-C471	AA		
VCKYCY1HB473K	8-C215	AB		
"	8-C497	AB		
VCKYCY1HB561K	8-C335	AA		
"	8-C339	AA		
VCKYCY1HF103Z	8-C401	AB		
VCKYCY1HF104Z	8-C426	AB		
"	8-C434	AB		
"	8-C438	AB		
"	8-C444	AB		
VCKYCY1HF223Z	8-C218	AA		
VCKYPA1HB221K	8-C682	AA		
VCKYPA1HB272K	8-C611	AA		
"	8-C612	AA		
VCKYPA1HB331K	8-C336	AA		
"	8-C378	AA		
"	8-C386	AA		
VCKYPA1HB472K	8-C131	AB		
"	8-C132	AB		
"	8-C133	AB		
"	8-C157	AB		
"	8-C158	AB		
"	8-C159	AB		
VCKYPA1HB474K	8-C697			
"	8-C698			
VCKYPA1HB562K	8-C632	AB		
"	8-C699	AB		
VCKYPA1HF103Z	8-C385	AB		
VCKYPA1HF223Z	8-C119	AB		
"	8-C120	AB		
"	8-C121	AB		
"	8-C122	AB		
"	8-C123	AB		
"	8-C124	AB		
"	8-C151	AB		
"	8-C152	AB		
"	8-C153	AB		
"	8-C154	AB		
"	8-C155	AB		
"	8-C156	AB		
"	8-C216	AB		
"	8-C219	AB		
"	8-C307	AB		
"	8-C332	AB		
"	8-C337	AB		
"	8-C379	AB		
"	8-C399	AB		
VCKYPA1HF473Z	8-C213	AB		
VCQYKA1JM224J	8-C635	AC		
VCQYKA1JM274J	8-C631	AC		
VCTYPA1CX183K	8-C373	AA		
"	8-C374	AA		
VHCSVC348S/-1	3-VD301	AK		
VHD1N4004/-1	3-D104	AB		
"	3-D105	AB		
"	3-D106	AB		
"	3-D107	AB		
"	3-D109	AB		
"	3-D110	AB		
"	3-D205	AB		
"	3-D206	AB		
"	3-D207	AB		
"	3-D208	AB		
"	3-D209	AB		

PARTS CODE	No.	PRICE RANK	NEW MARK	PART RANK
"	3-D210	AB		
"	3-D211	AB		
"	3-D212	AB		
"	3-D213	AB		
"	3-D214	AB		
"	3-D215	AB		
"	3-D220	AB		
"	3-D221	AB		
"	3-D222	AB		
"	3-D223	AB		
"	3-D224	AB		
"	3-D225	AB		
"	3-D701	AB		
"	3-D706	AB		
"	3-D708	AB		
VHD1N4148/-1	3-D108	AA		
"	3-D217	AA		
"	3-D301	AA		
"	3-D302	AA		
"	3-D303	AA		
"	3-D304	AA		
"	3-D308	AA		
"	3-D321	AA		
"	3-D601	AA		
"	3-D602	AA		
"	3-D603	AA		
"	3-D604	AA		
"	3-D702	AA		
"	3-D703	AA		
"	3-D704	AA		
"	3-D705	AA		
"	3-D709	AA		
"	3-D710	AA		
"	3-D711	AA		
"	3-D712	AA		
VHDMC2836/-1	3-D401	AB		
VHDT56B04GM-1	3-D201	AP		
VHEDZH03C3+-1	3-ZD701	AB		
VHEDZH05C2+-1	3-ZD351	AB		
VHEDZH06B2+-1	3-ZD101	AB		
"	3-ZD502	AB		
VHEDZH06C2+-1	3-ZD202	AB		
VHEDZH3001+-1	3-ZD201	AB		
VHIAN78L05/-1	1-iC205	AE		
VHIK4S16E60-1	1-iC404			
VHIKiA7805APi	1-iC201	AF		
VHIKiA7808APi	1-iC203	AF		
VHIKiA7812APi	1-iC202	AE		
VHILA1832S/-1	1-iC303	AN		
VHILA6568/-1	1-iC402			
VHILC72131/-1	1-iC302	AP		
VHILC72723M-1	1-iC321	AS		
VHILC75341M-1	1-iC601	AM		
"	1-iC603	AM		
VHILC78646E-1	1-iC401	AY		
VHILC78684E-1	1-iC403	AZ		
VHILM4733TA-1	1-iC101	AY		
VHINJM4558D-1	1-iC602	AH		
VHLGP1UD261-1	10-RX701	AK		
VHPLP3052A+-1	3-LED701	AC		
VP-DH100K0000	6-L103	AB		
"	6-L103A	AB		
VP-DH101K0000	6-L351	AB		
"	6-L352	AB		
VP-DH102K0000	6-L353	AB		
VP-DH2R2K0000	6-L105	AB		
"	6-L321	AB		
"	6-L342	AB		
"	6-L601	AB		
VP-DHR82K0000	6-L502	AE		
"	6-L503	AE		
"	6-L701	AE		
"	6-L702	AE		
"	6-L703	AE		
"	6-L704	AE		
"	6-L705	AE		
VRD-RT2HD300J	9-R214	AA		
VRD-RT2HD620J	9-R218	AA		
"	9-R219	AA		
VRD-ST2CD102J	9-R111	AA		
"	9-R394	AA		
"	9-R396	AA		

XL-MP333H/XL-MP444H

PARTS CODE	No.	PRICE RANK	NEW MARK	PART RANK
"	9-R433	AA		
"	9-R601	AA		
"	9-R602	AA		
"	9-R603	AA		
"	9-R636	AA		
"	9-R648	AA		
"	9-R658	AA		
"	9-R678	AA		
"	9-R686	AA		
"	9-R701	AA		
"	9-R703	AA		
"	9-R705	AA		
"	9-R706	AA		
"	9-R707	AA		
"	9-R708	AA		
"	9-R709	AA		
"	9-R710	AA		
"	9-R714	AA		
"	9-R715	AA		
"	9-R722	AA		
"	9-R723	AA		
"	9-R728	AA		
"	9-R729	AA		
"	9-R730	AA		
"	9-R731	AA		
"	9-R732	AA		
"	9-R746	AA		
"	9-R747	AA		
"	9-R748	AA		
"	9-R749	AA		
"	9-R750	AA		
"	9-R755	AA		
"	9-R757	AA		
VRD-ST2CD103J	9-R208	AA		
"	9-R221	AA		
"	9-R376	AA		
"	9-R727	AA		
"	9-R738	AA		
"	9-R739	AA		
"	9-R742	AA		
"	9-R743	AA		
"	9-R744	AA		
"	9-R756	AA		
"	9-R797	AA		
VRD-ST2CD104J	9-R140	AA		
"	9-R141	AA		
"	9-R142	AA		
"	9-R623	AA		
VRD-ST2CD122J	9-R765	AA		
"	9-R766	AA		
"	9-R780	AA		
"	9-R781	AA		
VRD-ST2CD123J	9-R205	AA		
VRD-ST2CD152J	9-R380	AA		
"	9-R767	AA		
VRD-ST2CD181J	9-R343	AA		
VRD-ST2CD202J	9-R768	AA		
VRD-ST2CD221J	9-R160	AA		
VRD-ST2CD222J	9-R641	AA		
"	9-R643	AA		
VRD-ST2CD223J	9-R123	AA		
"	9-R124	AA		
"	9-R511	AA		
"	9-R517	AA		
"	9-R688	AA		
VRD-ST2CD271J	9-R773	AA		
VRD-ST2CD272J	9-R615	AA		
"	9-R681	AA		
"	9-R733	AA		
VRD-ST2CD331J	9-R151	AA		
"	9-R206	AA		
"	9-R207	AA		
VRD-ST2CD391J	9-R514	AA		
VRD-ST2CD392J	9-R612	AA		
"	9-R676	AA		
VRD-ST2CD471J	9-R510	AA		
"	9-R513	AA		
VRD-ST2CD473J	9-R204	AA		
"	9-R390	AA		
"	9-R395	AA		
VRD-ST2CD562J	9-R336	AA		
"	9-R377	AA		

PARTS CODE	No.	PRICE RANK	NEW MARK	PART RANK
"	9-R385	AA		
"	9-R387	AA		
"	9-R649	AA		
VRD-ST2CD563J	9-R340	AA		
"	9-R398	AA		
"	9-R526	AA		
VRD-ST2CD682J	9-R384	AA		
"	9-R624	AA		
"	9-R625	AA		
VRD-ST2CD822J	9-R618	AA		
"	9-R651	AA		
VRD-ST2EE100J	9-R125	AA		
"	9-R126	AA		
"	9-R127	AA		
"	9-R203	AA		
"	9-R399	AA		
"	9-R661	AA		
VRD-ST2EE101J	9-R516	AA		
VRD-ST2EE121J	9-R630	AA		
VRD-ST2EE123J	9-R119	AA		
VRD-ST2EE152J	9-R162	AA		
VRD-ST2EE221J	9-R149	AA		
"	9-R150	AA		
VRD-ST2EE271J	9-R146	AA		
"	9-R147	AA		
"	9-R146A	AA		
"	9-R147A	AA		
VRD-ST2EE331J	9-R382	AA		
"	9-R386	AA		
VRD-ST2EE332J	9-R155	AA		
VRD-ST2EE391J	9-R391	AA		
"	9-R392	AA		
VRD-ST2EE470J	9-R760	AA		
VRD-ST2EE473J	9-R163	AA		
VRD-ST2EE4R7J	9-R143	AA		
"	9-R144	AA		
"	9-R145	AA		
VRD-ST2EE561J	9-R432	AA		
VRD-ST2EE6R8J	9-R134	AA		
"	9-R135	AA		
"	9-R136	AA		
"	9-R169	AA		
"	9-R170	AA		
"	9-R171	AA		
VRS-CY1JB000J	9-R449	AA		
"	9-R450	AA		
"	9-R491	AA		
"	9-R494	AA		
"	9-JP701	AA		
VRS-CY1JB100J	9-R408	AA		
"	9-R441	AA		
VRS-CY1JB101J	9-R413	AA		
"	9-R416	AA		
"	9-R435	AA		
"	9-R440	AA		
"	9-R444	AA		
"	9-R446	AA		
"	9-R460	AA		
"	9-R463	AA		
"	9-R464	AA		
"	9-R466	AA		
"	9-R467	AA		
"	9-R468	AA		
"	9-R469	AA		
"	9-R470	AA		
"	9-R473	AA		
"	9-R474	AA		
"	9-R479	AA		
"	9-R480	AA		
"	9-R481	AA		
"	9-R482	AA		
"	9-R483	AA		
"	9-R484	AA		
"	9-R485	AA		
"	9-R486	AA		
"	9-R487	AA		
"	9-R497B	AA		
"	9-R497C	AA		
VRS-CY1JB102J	9-R102	AA		
"	9-R109	AA		
"	9-R110	AA		
"	9-R112	AA		



PARTS CODE	No.	PRICE RANK	NEW MARK	PART RANK
"	9-R352	AA		
"	9-R356	AA		
"	9-R371	AA		
"	9-R372	AA		
"	9-R373	AA		
"	9-R374	AA		
"	9-R393	AA		
"	9-R418	AA		
"	9-R445	AA		
"	9-R447	AA		
"	9-R451	AA		
"	9-R472	AA		
"	9-R604	AA		
"	9-R605	AA		
"	9-R606	AA		
"	9-R607	AA		
"	9-R628	AA		
"	9-R629	AA		
"	9-R635	AA		
"	9-R645	AA		
"	9-R646	AA		
"	9-R679	AA		
"	9-R680	AA		
"	9-R682	AA		
"	9-R685	AA		
"	9-R691	AA		
"	9-R696	AA		
"	9-R702	AA		
"	9-R711	AA		
"	9-R713	AA		
"	9-R717	AA		
"	9-R718	AA		
"	9-R719	AA		
"	9-R720	AA		
"	9-R721	AA		
"	9-R726	AA		
"	9-R734	AA		
"	9-R740	AA		
"	9-R751	AA		
"	9-R758	AA		
"	9-R761	AA		
"	9-R762	AA		
"	9-R776	AA		
"	9-R799	AA		
"	9-R497A	AA		
"	9-R497F	AA		
"	9-R501A	AA		
"	9-R502A	AA		
"	9-R503A	AA		
"	9-R504A	AA		
"	9-R505A	AA		
"	9-R506A	AA		
"	9-R507A	AA		
"	9-R508A	AA		
VRS-CY1 JB103J	9-R101	AA		
"	9-R104	AA		
"	9-R105	AA		
"	9-R106	AA		
"	9-R211	AA		
"	9-R365	AA		
"	9-R381	AA		
"	9-R397	AA		
"	9-R406	AA		
"	9-R412	AA		
"	9-R414	AA		
"	9-R453	AA		
"	9-R456	AA		
"	9-R677	AA		
"	9-R692	AA		
"	9-R704	AA		
"	9-R716	AA		
"	9-R737	AA		
"	9-R771	AA		
"	9-R777	AA		
"	9-R778	AA		
"	9-R787	AA		
"	9-R788	AA		
"	9-R789	AA		
"	9-R501B	AA		
"	9-R502B	AA		
"	9-R503B	AA		
"	9-R504B	AA		

PARTS CODE	No.	PRICE RANK	NEW MARK	PART RANK
"	9-R505B	AA		
"	9-R506B	AA		
"	9-R507B	AA		
"	9-R508B	AA		
"	9-R745A	AA		
VRS-CY1 JB104J	9-R401	AA		
"	9-R407	AA		
"	9-R423	AA		
"	9-R622	AA		
"	9-R675	AA		
"	9-R683	AA		
"	9-R764	AA		
VRS-CY1 JB106J	9-R741	AA		
VRS-CY1 JB121J	9-R779	AA		
VRS-CY1 JB122J	9-R415	AA		
"	9-R745B	AA		
VRS-CY1 JB123J	9-R417	AA		
VRS-CY1 JB151J	9-R443	AA		
"	9-R454	AA		
"	9-R443A	AA		
VRS-CY1 JB152J	9-R489	AA		
"	9-R782	AA		
VRS-CY1 JB182J	9-R359	AA		
"	9-R496	AA		
"	9-R620	AA		
"	9-R621	AA		
VRS-CY1 JB183J	9-R157	AA		
VRS-CY1 JB201J	9-R442	AA		
"	9-R442A	AA		
VRS-CY1 JB202J	9-R783	AA		
VRS-CY1 JB203J	9-R655	AA		
VRS-CY1 JB220J	9-R457	AA		
"	9-R458	AA		
VRS-CY1 JB221J	9-R434	AA		
"	9-R452	AA		
"	9-R461	AA		
"	9-R462	AA		
"	9-R475	AA		
"	9-R476	AA		
"	9-R518	AA		
"	9-R712	AA		
"	9-R724	AA		
"	9-R725	AA		
"	9-R465A	AA		
"	9-R465B	AA		
"	9-R465C	AA		
"	9-R465D	AA		
"	9-R465E	AA		
"	9-R465F	AA		
"	9-R465G	AA		
"	9-R465H	AA		
"	9-R465i	AA		
"	9-R465J	AA		
"	9-R465K	AA		
"	9-R465L	AA		
"	9-R471A	AA		
"	9-R471B	AA		
"	9-R471C	AA		
"	9-R471D	AA		
"	9-R471E	AA		
"	9-R471F	AA		
"	9-R471G	AA		
"	9-R471H	AA		
"	9-R471i	AA		
"	9-R471J	AA		
"	9-R471K	AA		
"	9-R471L	AA		
"	9-R471M	AA		
"	9-R471N	AA		
"	9-R471P	AA		
"	9-R471Q	AA		
VRS-CY1 JB222J	9-R107	AA		
"	9-R108	AA		
"	9-R366	AA		
"	9-R379	AA		
"	9-R436	AA		
"	9-R644	AA		
"	9-R665	AA		
"	9-R433A	AA		
"	9-R497D	AA		
"	9-R497E	AA		
"	9-R497G	AA		

XL-MP333H/XL-MP444H

PARTS CODE	No.	PRICE RANK	NEW MARK	PART RANK
VRS-CY1 JB223 J	9-R122	AA		
"	9-R202	AA		
"	9-R209	AA		
"	9-R212	AA		
"	9-R409	AA		
"	9-R439	AA		
"	9-R455	AA		
"	9-R505	AA		
"	9-R512	AA		
"	9-R632	AA		
"	9-R633	AA		
"	9-R662	AA		
"	9-R663	AA		
"	9-R666	AA		
"	9-R667	AA		
"	9-R687	AA		
VRS-CY1 JB224 J	9-R488	AA		
VRS-CY1 JB271 J	9-R353	AA		
VRS-CY1 JB272 J	9-R350	AA		
"	9-R769	AA		
"	9-R784	AA		
VRS-CY1 JB273 J	9-R216	AA		
"	9-R361	AA		
"	9-R362	AA		
"	9-R410	AA		
VRS-CY1 JB330 J	9-R349	AA		
VRS-CY1 JB331 J	9-R346	AA		
"	9-R411	AA		
VRS-CY1 JB332 J	9-R103	AA		
"	9-R113	AA		
"	9-R210	AA		
"	9-R215	AA		
"	9-R355	AA		
"	9-R477	AA		
"	9-R478	AA		
"	9-R763	AA		
VRS-CY1 JB333 J	9-R402	AA		
"	9-R403	AA		
"	9-R404	AA		
"	9-R405	AA		
VRS-CY1 JB391 J	9-R509	AA		
"	9-R521	AA		
VRS-CY1 JB392 J	9-R613	AA		
"	9-R694	AA		
"	9-R770	AA		
"	9-R785	AA		
VRS-CY1 JB393 J	9-R116	AA		
"	9-R117	AA		
"	9-R118	AA		
VRS-CY1 JB470 J	9-R421	AA		
"	9-R422	AA		
"	9-R424	AA		
VRS-CY1 JB471 J	9-R420	AA		
"	9-R425	AA		
"	9-R431	AA		
"	9-R497	AA		
VRS-CY1 JB472 J	9-R161	AA		
"	9-R345	AA		
"	9-R360	AA		
VRS-CY1 JB473 J	9-R159	AA		
"	9-R222	AA		
"	9-R611	AA		
"	9-R616	AA		
"	9-R432A	AA		
VRS-CY1 JB474 J	9-R114	AA		
"	9-R213	AA		
"	9-R357	AA		
VRS-CY1 JB475 J	9-R427	AA		
VRS-CY1 JB513 J	9-R614	AA		
"	9-R617	AA		
VRS-CY1 JB562 J	9-R156	AA		
"	9-R351	AA		
"	9-R383	AA		
"	9-R659	AA		
"	9-R772	AA		
"	9-R786	AA		
VRS-CY1 JB563 J	9-R137	AA		
"	9-R138	AA		
"	9-R139	AA		
VRS-CY1 JB680 J	9-R438	AA		
"	9-R369A	AA		
VRS-CY1 JB681 J	9-R344	AA		

PARTS CODE	No.	PRICE RANK	NEW MARK	PART RANK
"	9-R348	AA		
"	9-R419	AA		
"	9-R430	AA		
VRS-CY1 JB682 J	9-R154	AA		
"	9-R347	AA		
"	9-R426	AA		
"	9-R459	AA		
"	9-R471	AA		
"	9-R495	AA		
"	9-R498	AA		
"	9-R503	AA		
"	9-R504	AA		
VRS-CY1 JB683 J	9-R323	AA		
VRS-CY1 JB820 J	9-R448	AA		
"	9-R775	AA		
"	9-R369B	AA		
VRS-CY1 JB822 J	9-R358	AA		
"	9-R619	AA		
VRS-CY1 JB823 J	9-R752A	AA		
"	9-R752B	AA		
"	9-R752C	AA		
"	9-R752D	AA		
"	9-R752E	AA		
"	9-R752F	AA		
"	9-R752G	AA		
"	9-R752H	AA		
"	9-R752 i	AA		
"	9-R752 J	AA		
"	9-R752K	AA		
"	9-R753A	AA		
"	9-R753B	AA		
"	9-R753C	AA		
"	9-R753D	AA		
"	9-R753E	AA		
"	9-R753F	AA		
"	9-R753G	AA		
"	9-R753H	AA		
"	9-R753 i	AA		
"	9-R753 J	AA		
"	9-R753K	AA		
"	9-R753L	AA		
"	9-R753M	AA		
"	9-R753N	AA		
"	9-R753O	AA		
"	9-R753P	AA		
"	9-R753Q	AA		
"	9-R753R	AA		
"	9-R753S	AA		
"	9-R753T	AA		
VRS-VV3AA271 J	9-R525	AB		
VS2SA1235F+-1	2-Q105	AD		
"	2-Q405	AD		
VS2SB562-C/-1	2-Q413	AD		
"	2-Q503	AD		
VS2SC3052F+-1	2-Q101	AD		
"	2-Q102	AD		
"	2-Q103	AD		
"	2-Q104	AD		
"	2-Q401	AD		
"	2-Q402	AD		
"	2-Q403	AD		
"	2-Q404	AD		
"	2-Q406	AD		
VS2SC380-O/-1	2-Q301	AC		
VS2SC535-C/-1	2-Q202	AC		
VSKRA107M//-1	2-Q110	AE		
VSKRC102M//-1	2-Q702	AC		
VSKRC104M//-1	2-Q351	AC		
VSKRC107M//-1	2-Q111	AC		
"	2-Q502	AC		
VSKTA1266GR-1	2-Q201	AB		
"	2-Q204	AB		
"	2-Q360	AB		
VSKTA1271Y/-1	2-Q505	AC		
"	2-Q508	AC		
VSKTC3199GR-1	2-Q107	AB		
"	2-Q108	AB		
"	2-Q109	AB		
"	2-Q112	AB		
"	2-Q113	AB		
"	2-Q114	AB		
"	2-Q205	AB		

PARTS CODE	No.	PRICE RANK	NEW MARK	PART RANK
"	2-Q209	AB		
"	2-Q321	AB		
"	2-Q414	AB		
"	2-Q506	AB		
"	2-Q507	AB		
"	2-Q703	AB		
"	2-Q704	AB		
"	2-Q705	AB		
VSKTC3200GR-1	2-Q203	AC		
VSKTC3203Y/-1	2-Q504	AC		
"	2-Q509	AC		
"	2-Q510	AC		
"	2-Q511	AC		
VVK251116// -1	10-VFD701	AV		
【 X 】				
XHBSD20P03000	12-605	AA		
XHBSD30P06000	12-606	AA		
XHBSD30P12000	12-607	AA		
XHBSF30P06000	12-608	AA		
XHBSF30P08000	12-609	AA		
XJBSD25P08000	12-610	AC		
XJBSD30P06000	12-612	AA		
XJBSD30P08000	12-613	AA		
XJBSD30P10000	12-614	AA		
XJBSF30P08000	12-615	AA		
XJBSF30P10000	12-616	AA		
XJBSF30P12000	12-617	AA		
XJPSF30P06000	12-618	AA		
【 9 】				
9GD010804727	11-149			
9GD010814710	11-144	AC		
9GD010814711	11-143	AC		
9GD010814712	11-145	AC		
9GD010814739	11-156			
9GD010824096	11-148			
9GD010824717	11-150	AG		
9GD010824718	11-151	AD		
9GD010824735	11-152	AC		
9GD010824736	11-153	AD		
9GD010824737	11-154			
9GD010824738	11-155			
9GD020834262	11-169	AG		
9GD033004577	11-167	AC		
9GD033004581	11-166	AB		
9GD033004584	11-170	AB		
9GD033004585	11-165	AB		
9GD450633201	12-247	AE		
9GD450633202	12-248	AE		
9GD581194039	11-112	AE		
9GD582593021	11-111	AE		
9GD660004091	11-142	AD		
9GD660824059	11-146	AD		
9GD660824060	11-147	AD		
9GD660934072H	11-133	AK		
9GD660934073H	11-125			
9GD660934076H	11-132	BA		
9GD660934077H	11-124	AM		
9GD660934103H	11-115			
9GD660934115H	11-103			
9GD660934117H	11-157			
9GD660934118H	11-158			
9GD660934119H	11-159			
9GD660934120H	11-160			
9GD661192094	11-114	AU		
9GD662101001	11-123	AZ		
9GD662112002	11-119	AR		
9GD662113026	11-121	AN		
9GD662192003	11-136	AL		
9GD662192019	11-104			
9GD662213021	11-137	AM		
9GD662224010	11-113	AG		
9GD662224013	11-106	AD		
9GD662224014	11-107	AD		
9GD662224015	11-127	AD		
9GD662224016	11-129	AD		
9GD662224088	11-140	AH		
9GD662224089	11-141	AH		
9GD662233009	11-135			
9GD662392022	11-126	AL		
9GD662392085	11-116	AP		
9GD662393005	11-118	AK		
9GD662393006	11-122	AK		

PARTS CODE	No.	PRICE RANK	NEW MARK	PART RANK
9GD662393007	11-117	AK		
9GD662393008	11-120	AK		
9GD662393017	11-131	AF		
9GD662393018	11-108	AG		
9GD662393020	11-110	AE		
9GD662393023	11-134	AF		
9GD662393024	11-109	AF		
9GD662393025	11-105			
9GD662393039	11-128	AF		
9GD662593086	11-138	AG		
9GD662593090	11-139			
9GD662641004	11-101			
9GD662641033	11-102			
9GD663634068	11-130	AG		
9GDGSL15A2608	11-164			
9GDGSL15A2616	11-163			
9GDGSL20A2606	11-161	AB		
9GDGSP14A2504	11-162			