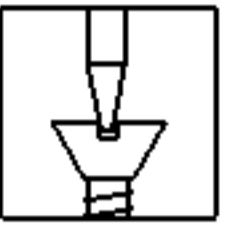
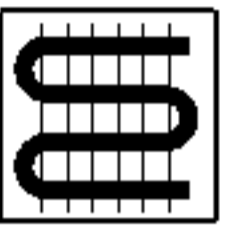


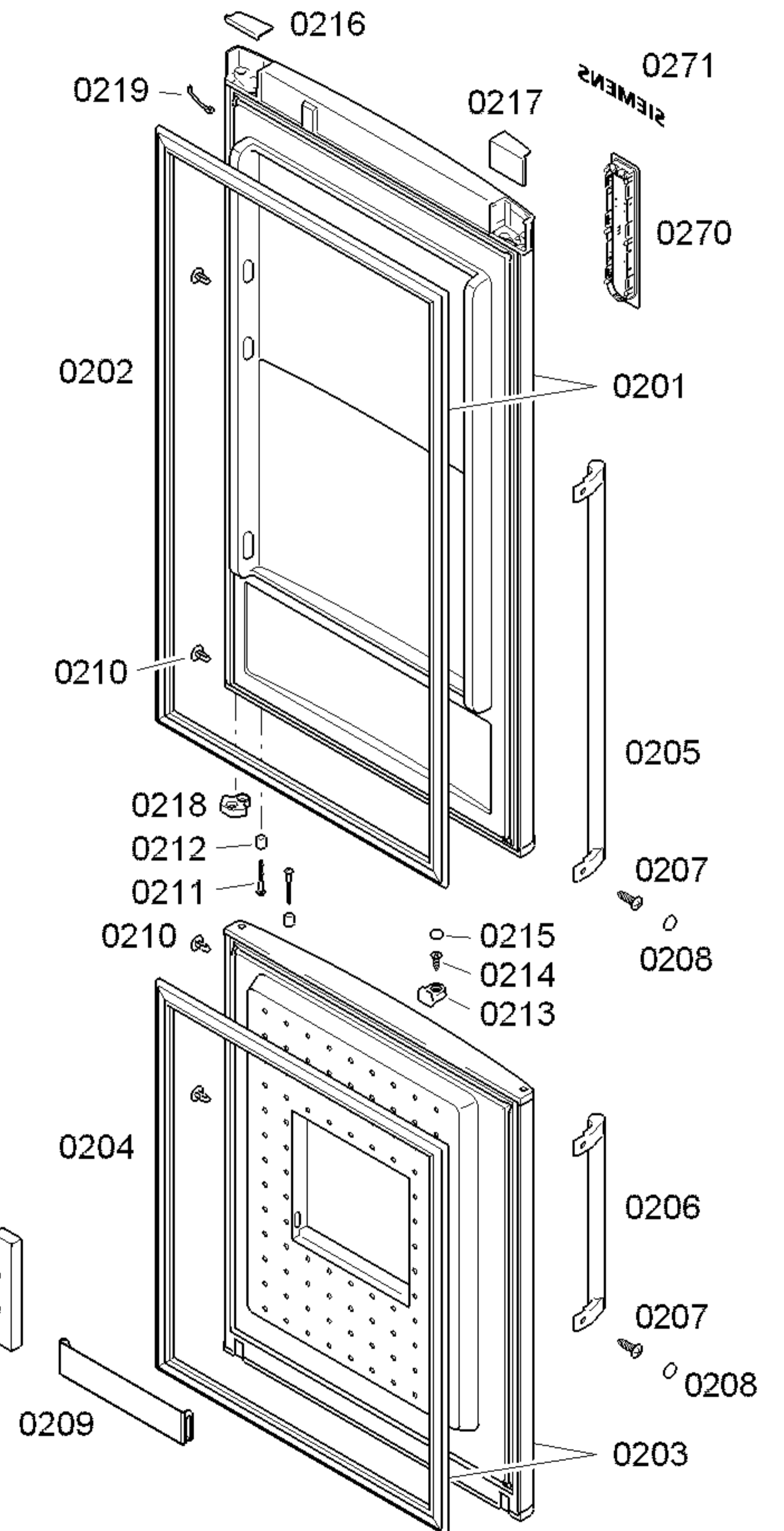
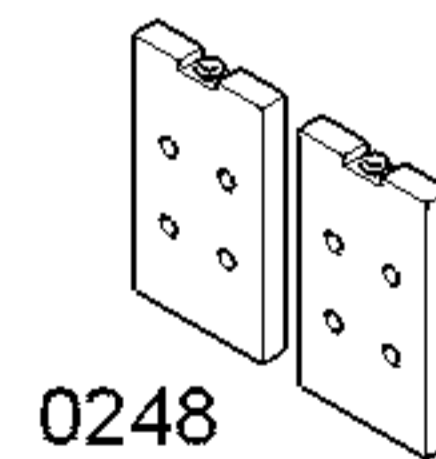
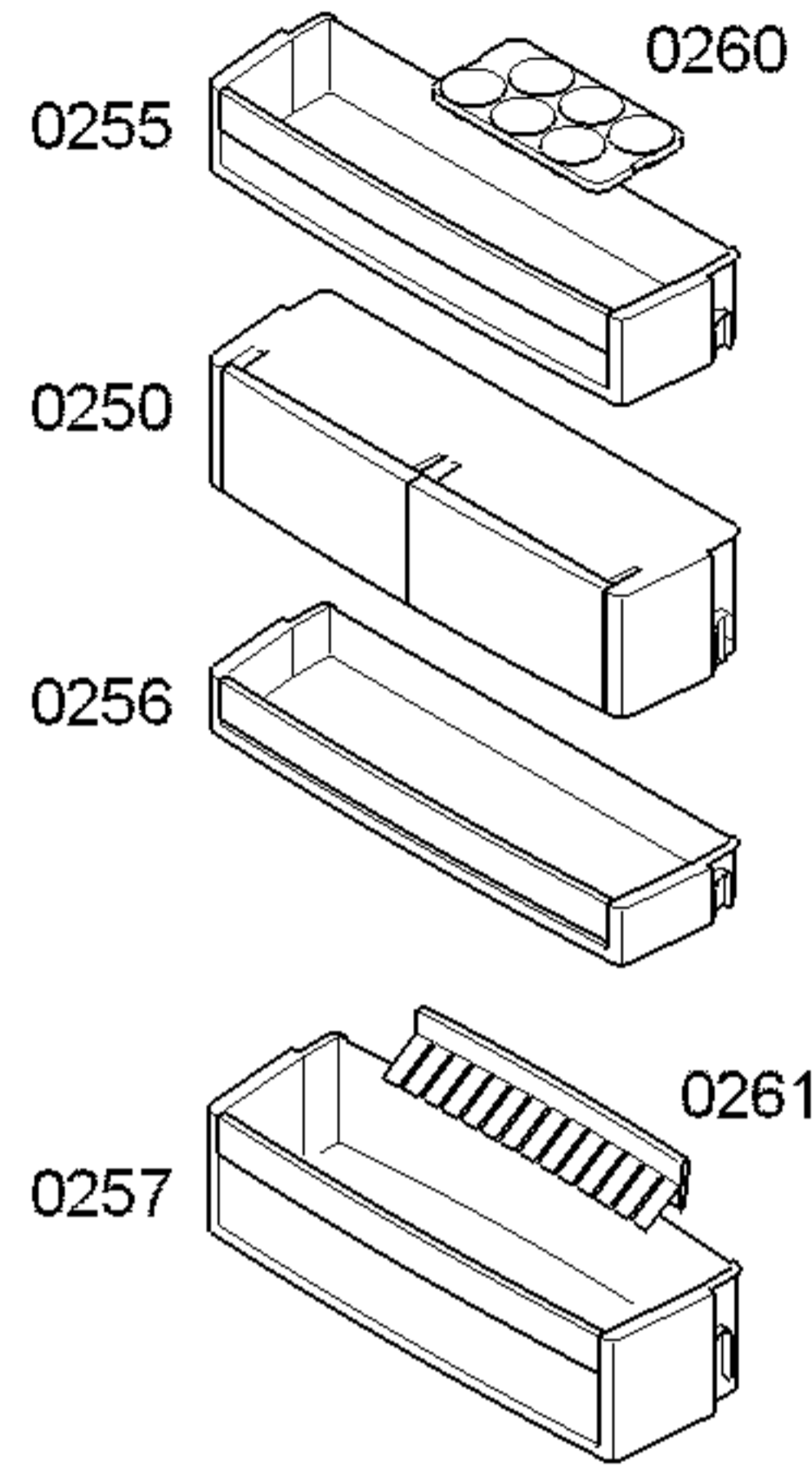
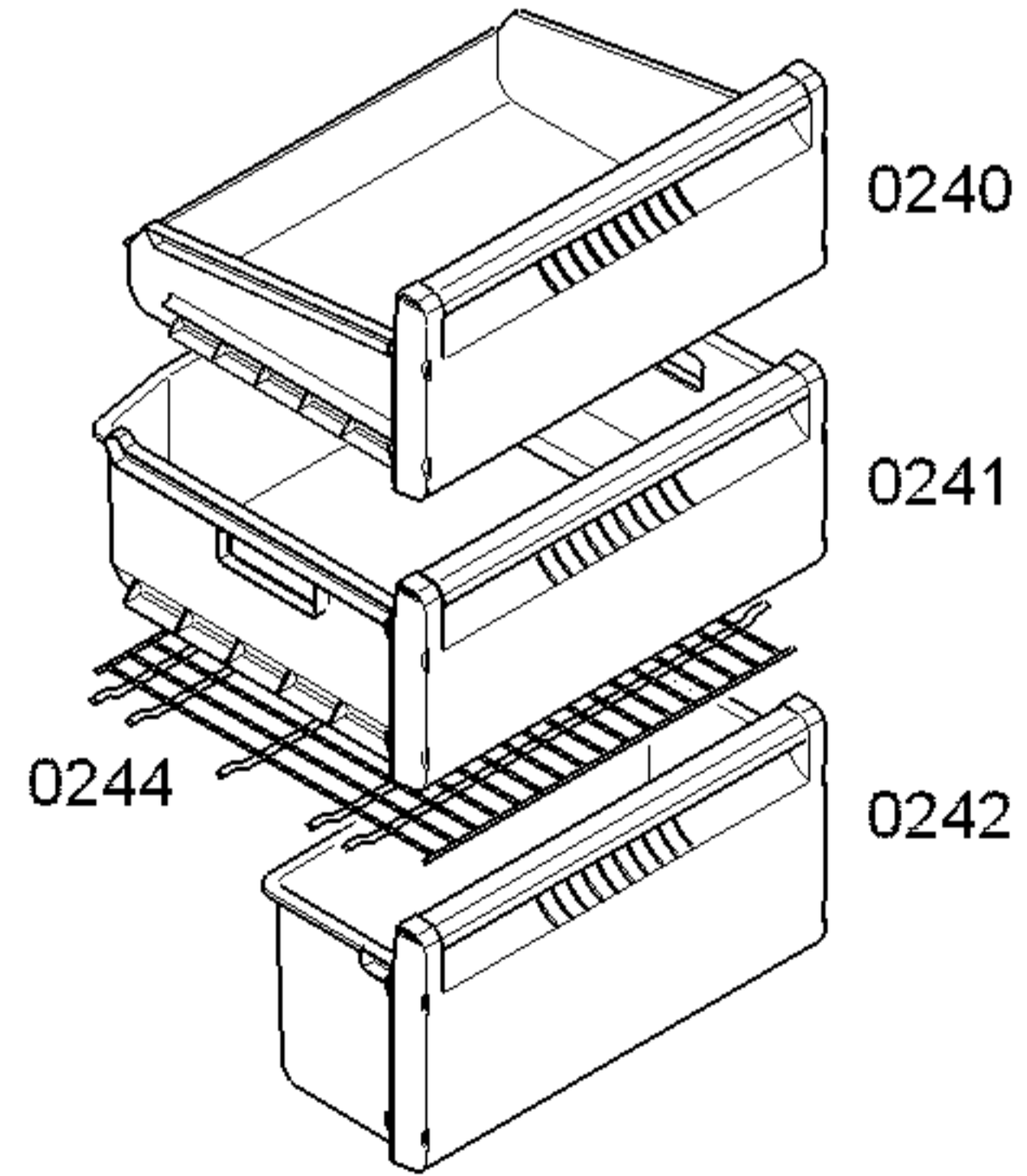
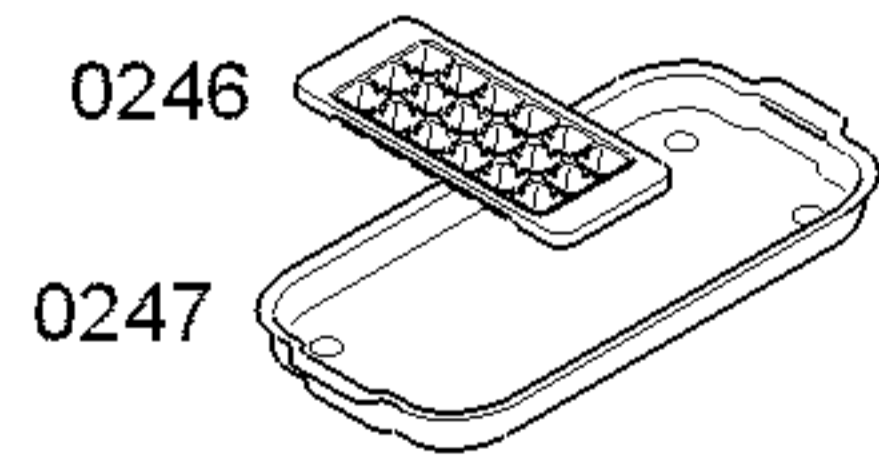
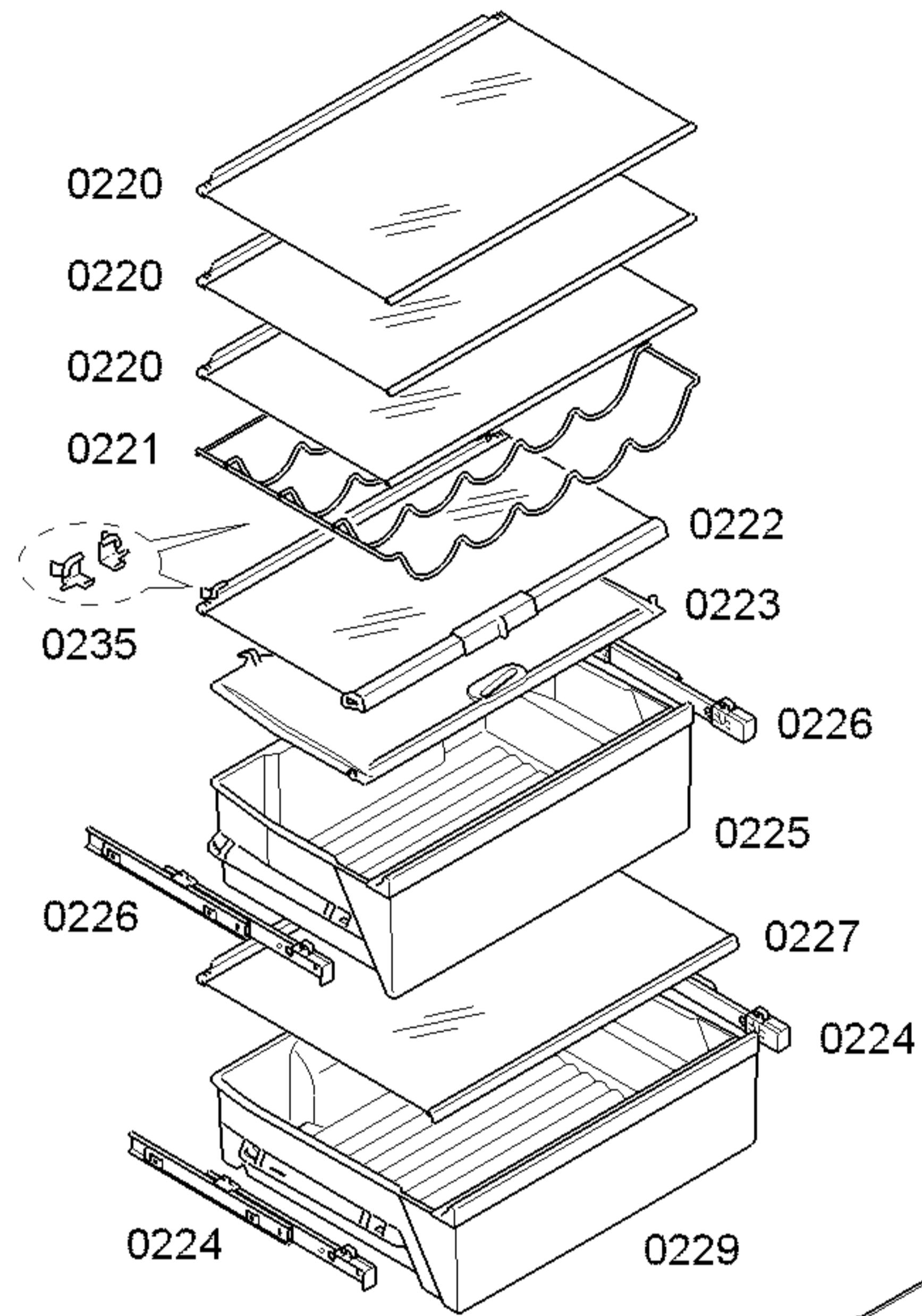
0199

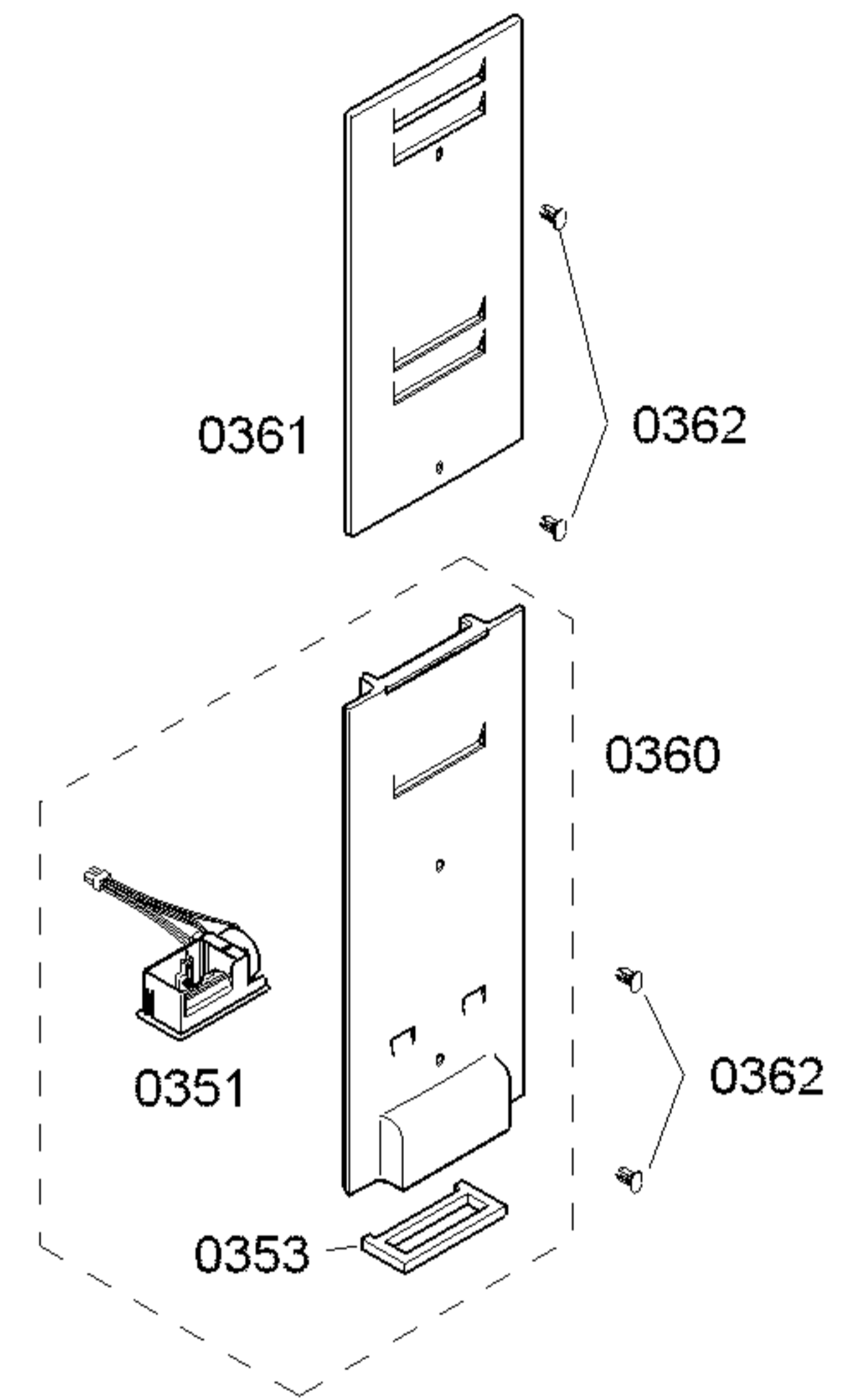
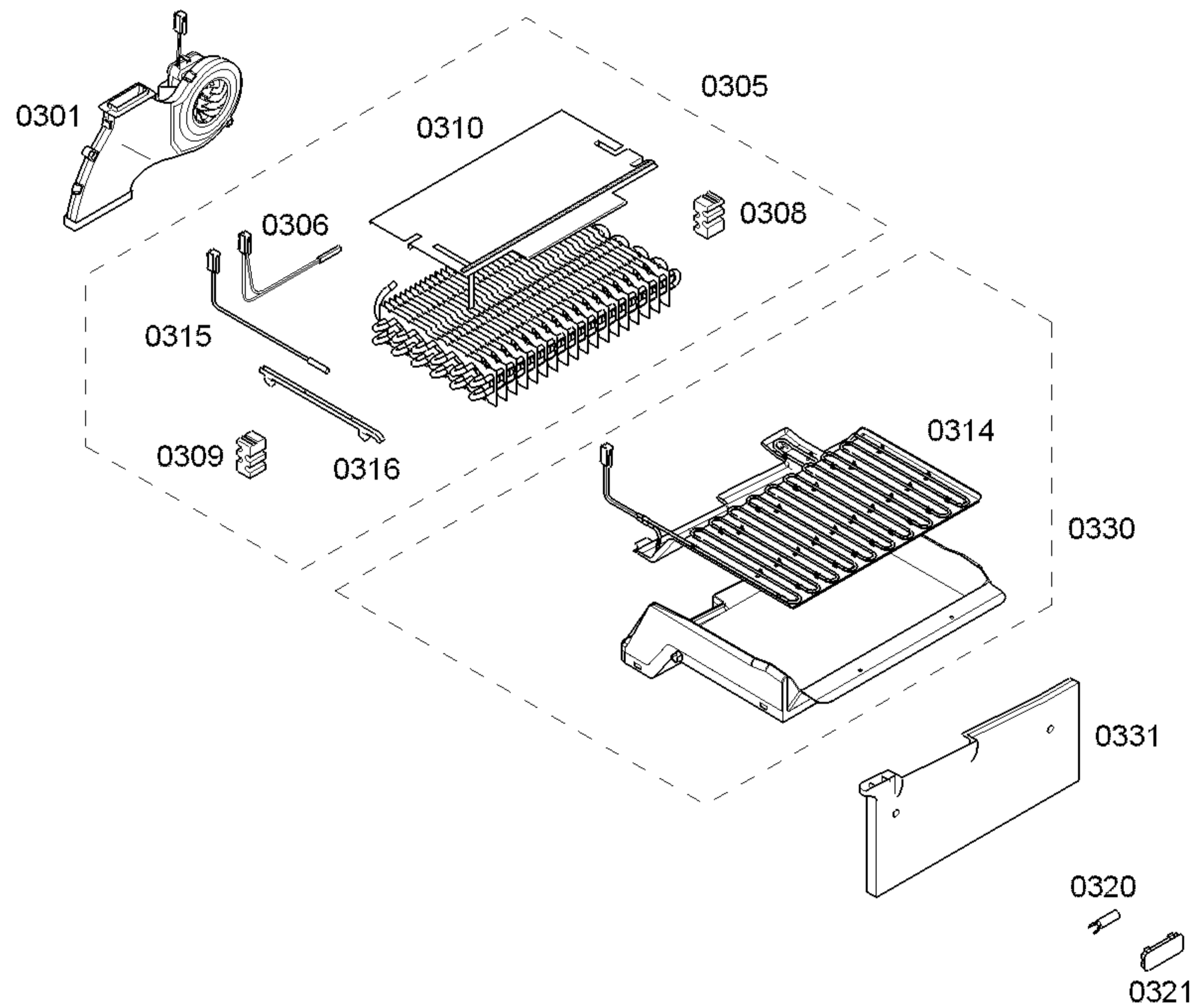


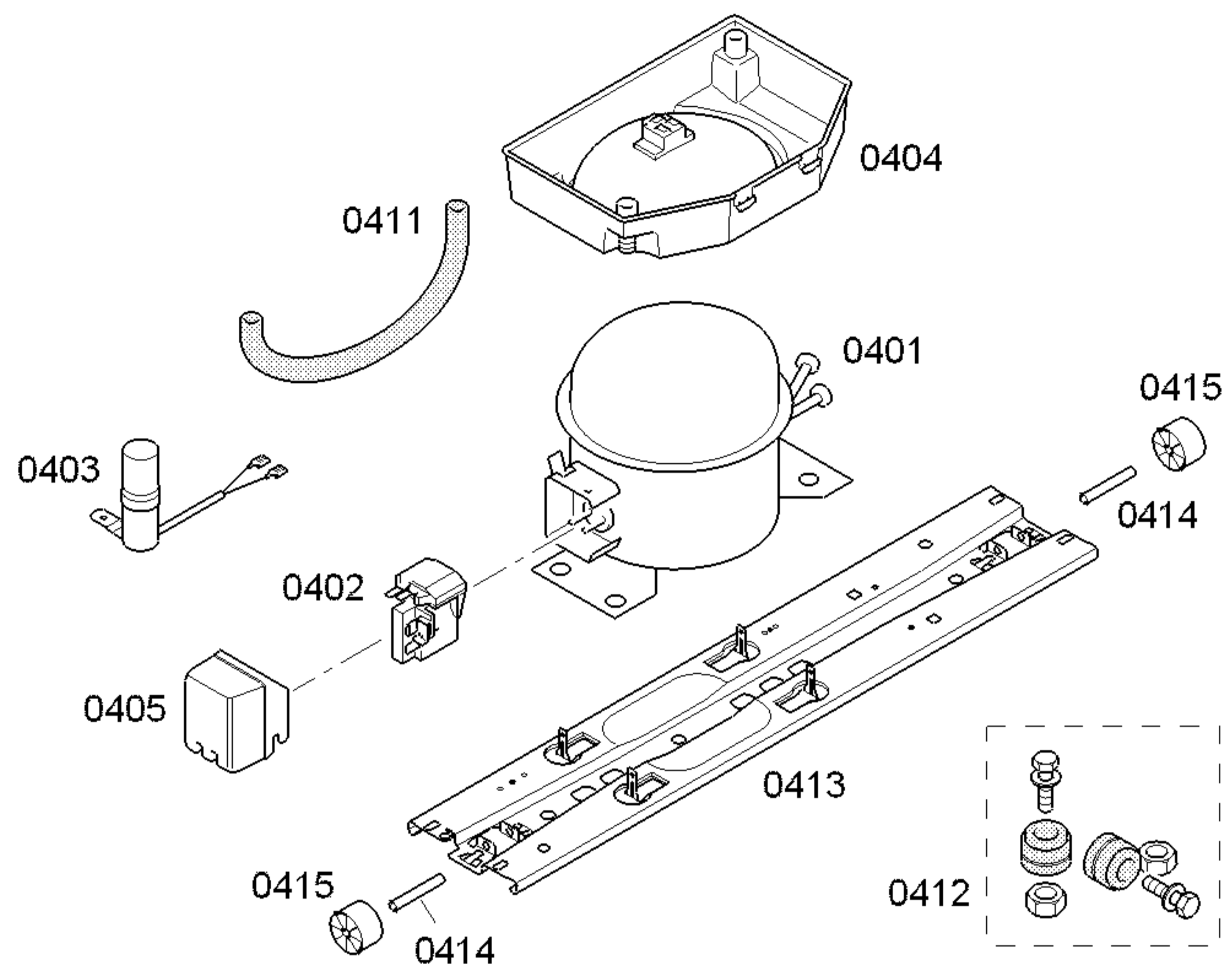
0197



0195







TECHNISCHE DATEN / TECHNICAL DATA / DONNEES TECHNIQUES / DATOS TECNICOS						
Test conditions: CECOMAF (evap. temp. -25°C)						
Verdichter/Compressor/Compresor		Danfoss	Jiaxipera	ACC		
Typ/Type/Tipo		NLX10KK.2	NS1114Y	HKK12AA		
Anlaufkondensator/Runing capacitor/Condensador de marcha		YES	YES	YES		
Stromverbraucht/Current consumption/Int. consumo	A	0,44	0,46	0,50		
Leistungsverbraucht/Power consumption/Potencia cons.	W	89,50	99,00	105,00		
C.O.P.	W/W	1,49	1,31	1,42		
Kühlleistung/Cooling capacity/Potencia frigorifica	W	133	129	150		
Füllmenge/Fill. quantity/Charge/Carga	R600a.	g	*	*	*	

\* Siehe Typenschild /See identification plate /Voir plaquette de caractéristiques /Ver plaqueta de características