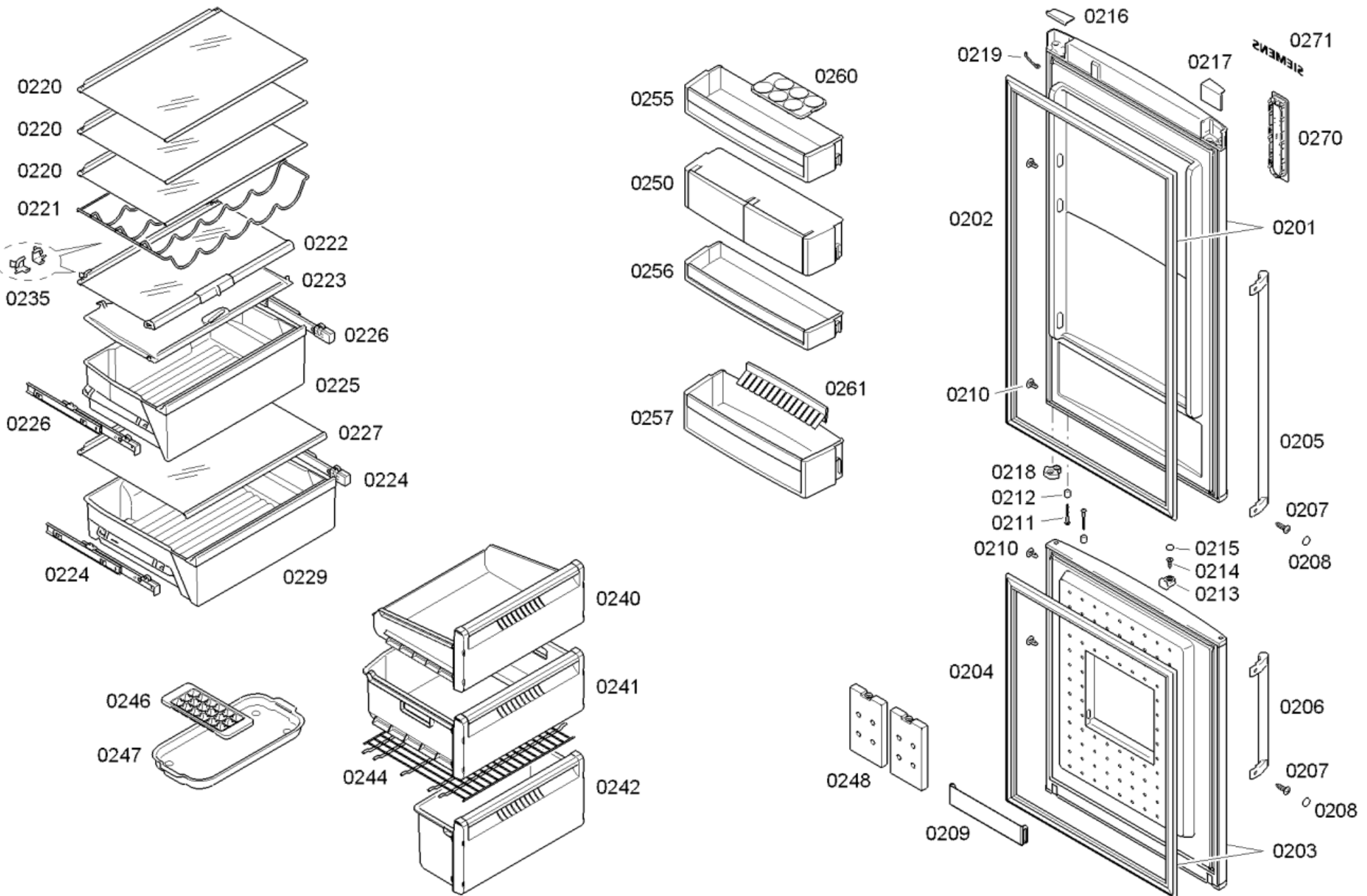
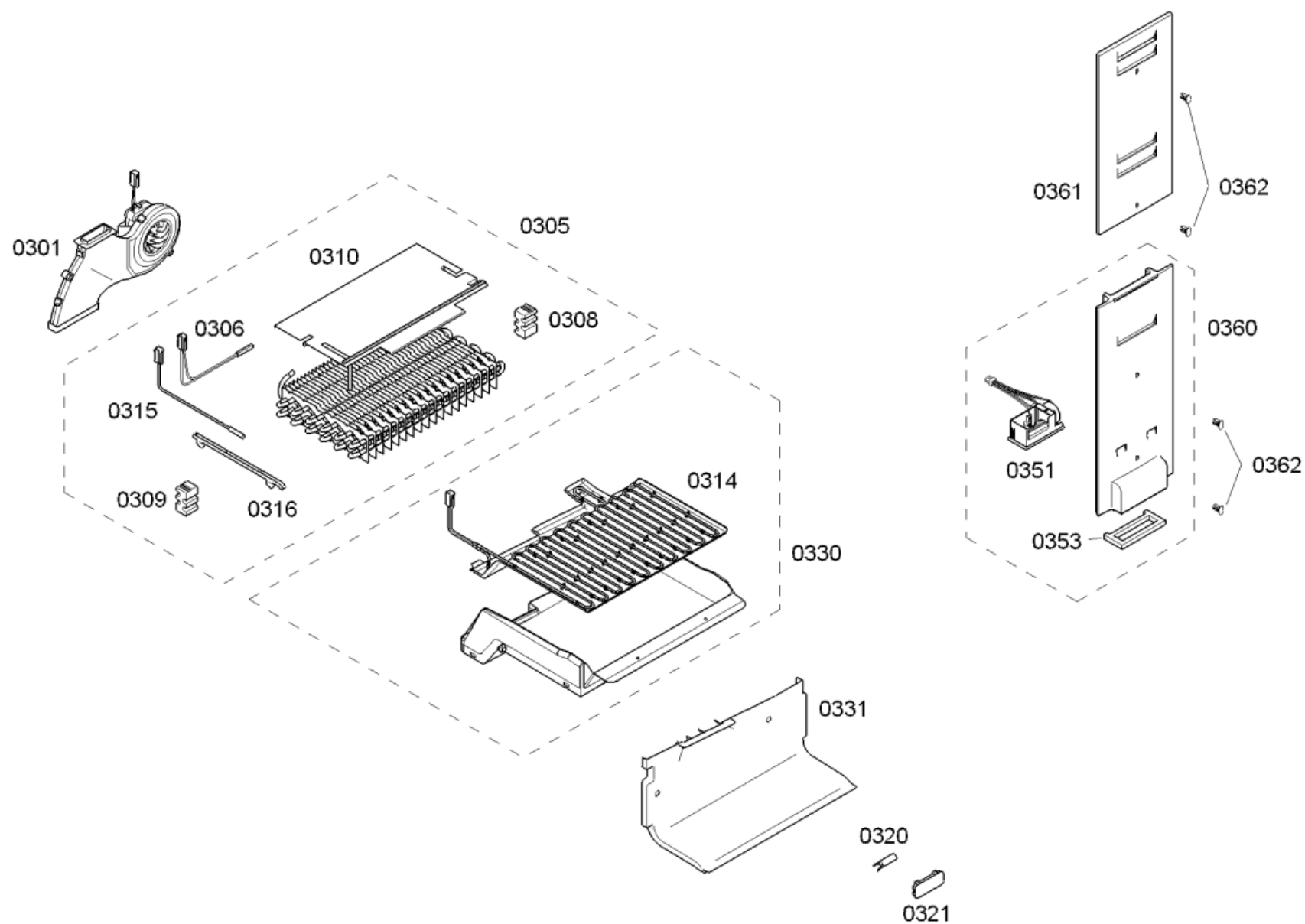


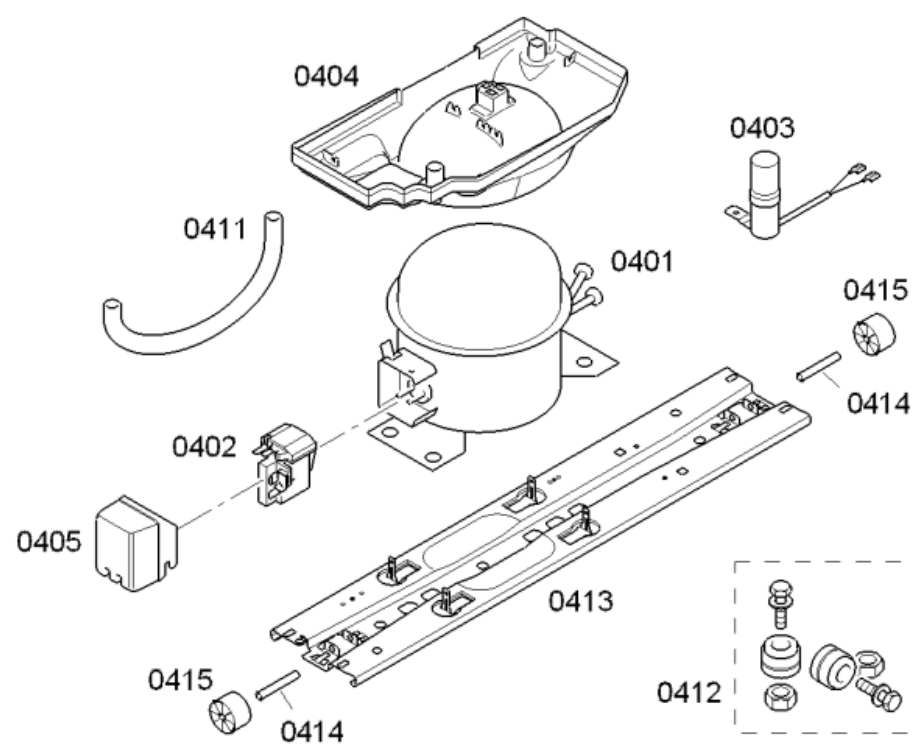
58300000190866 aet 000 a 1/4



58300000190866 aet 000 a 2/4



58300000190866 aet 000 a 3/4



TECHNISCHE DATEN / TECHNICAL DATA / DONNEES TECHNIQUES / DATOS TECNICOS						
Test conditions: CECOMAF (evap. temp. -25°C)						
Verdichter/Compressor/Compresor		Danfoss	ACC	Jiaxipera	Jiaxipera	Jiaxipera
Typ/Type/Tipo		NLX10KK.2	HKK12AA	NS1114Y	NB1114Y	NC1114Y
Anlaufkondensator/Runing capacitor/Condensador de marcha		YES	YES	YES	YES	YES
Stromverbraucht/Current consumption/Int. consumo	A	0,44	0,50	0,46	0,47	0,46
Leistungsverbraucht/Power consumption/Potencia cons.	W	89,50	105,00	99,00	89,00	94,00
C.O.P.	W/W	1,49	1,42	1,31	1,48	1,37
Kühlleistung/Cooling capacity/Potencia frigorifica	W	133	150	129	129	129
Füllmenge/Fill. quantity/Charge/Carga	R600a. g	*	*	*	*	*

\* Siehe Typenschild /See identification plate /Voir plaque de caractéristiques /Ver plaqueta de características

58300000190866 aet 000 a 4/4