

- 1.5mm
- 0.75mm
- 0.5mm
- GIALLO VERDE

- | | | | |
|--------------|------------|--------------|------------|
| arancio | orange | orange | orange |
| azzurro | bleu clair | sky blue | himmelblau |
| bianco | blanc | white | weiß |
| blu | bleu | blue | blau |
| giallo-verde | jeune-vert | yellow-green | gelb-grün |
| grigio | gris | grey | grau |
| marrone | marron | brown | braun |
| nero | noir | black | schwarz |
| rosa | rose | pink | rosa |
| rosso | rouge | red | rot |
| viola | violet | violet | violett |

- I
MP MICROINTERRUTTORE PORTA
B/D BRILLANTANTE/DETERSIVO
EVC VALVOLA DI CARICO
EVR VALVOLA RIGENERAZIONE
EVLV VALVOLA LAVAGGIO RESINE
EVRS VALVOLA DI "RESER"
EVM VALVOLA 1/2 CARICO
PR PRESSOSTATO
TH THERMOSTAT
NTC SONDA TEMPERATURA
SS SENSORE SALE
SB SENSORE BRILLANTANTE
P PULSANTIERA
I INTERRUPTORE ON/OFF
PL POMPA LAVAGGIO
C CONDENSATORE
PS POMPA SCARICO
R RESISTENZA

- GB/USA
DOOR MICROSWITCH
RINGING AGENT/DETERGENT DISPENSER
LOAD ELECTRIC VALVE
RIGENERATION VALVE
RESIN ELECTRIC VALVE
RESET ELECTRIC VALVE
1/2 LOAD ELECTRIC VALVE
PRESSURE SWITCH
THERMOSTATS
TEMPERATURE SENSOR
FLOAT SWITCH SALT
FLOAT SWITCH RINSE AID
PUSH BUTTONS SET
MAIN SWITCH
WASHING PUMP
CAPACITOR
DRAIN PUMP
HEATING ELEMENT

- D
THER-MIKROSCHALTER
KLARSPÜLMITTEL/SPÜLMITTELBEHALTER
EINLAUFVENTIL
ELEKTROVENTIL RIGENERIERUNG
RESIN ELEKTROVENTIL
"RESET" VENTIL
1/2 BELASTUNG VENTIL
NIVEAUSCHALTER
THERMOSTATE
TEMPERATURFUHLER
SENSOR SALT
SENSOR KLARSPÜELER
DRUCKTASTENSCHALTER
HAUPTSCHALTER
UMWALZPUMPE
KONDENSATOR
ABWASSERPUMPE
HEIZKÖRPER

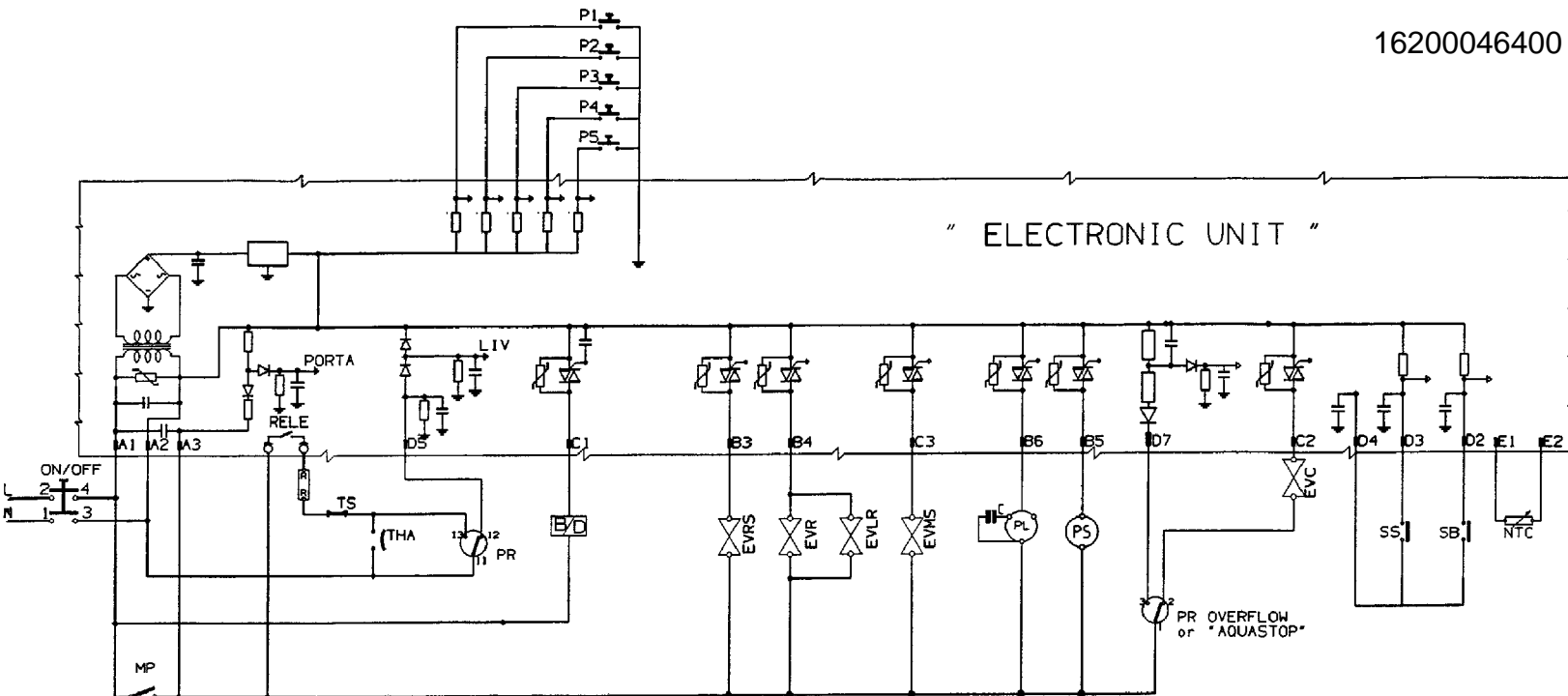
- F
MICRO-INTERRUPTOR PORTE
DOSEUR DETERGENT
ELECTROVANNE DE CHARGE
ELECTROVANNE RIGENERATION
ELECTROVANNE RESINE
ELECTROVANNE DE "RESET"
ELECTROVANNE DE 1/2 CHARGE
PRESSOSTAT
THERMOSTATS
SONDE THERMIQUE
DETECTEUR DU SAL
DETECTEUR DU BRILLANTANT
POUSSOIR
INTERRUPTEUR PRINCIPAL
POMPE DE LAVAGE
CONDENSATEUR
POMPE DE VIDANGE
RESISTANCE

SCHEMA PRINCIPIO : 162000464 XX
CABLAGGIO : 160050249 XX

MODIFICHE		DISEGNATO	DATA	ESP.	ESP.
Materiale:		RIGHETTI		29/08/97	AGG.
Finitura:	Quantità:	Determinazione			
Bonferraro		SCHEMA ELETTRICO			
Apparecchi di lavaggio		TEKA 50 FI			
via Oberdan,57		Ricavato:	Sostituisce:		
37050 Bonferraro (VR)		CODICE:		ESP. ESP.	
		162000465		100	
A TERMINI DI LEGGE CI RISERVIAMO LA PROPRIETA' DEL PRESENTE DISEGNO CON DIVIETO DI USO DIFFUSIONE E RIPRODUZIONE SENZA NOSTRA AUTORIZZAZIONE SCRITTA.					
Tolleranze Generali		± 0.10	± 0.15	± 0.20	± 0.25
		± 0.12	± 0.16	± 0.19	± 0.23
		± 0.14	± 0.18	± 0.22	± 0.26
		± 0.16	± 0.20	± 0.24	± 0.28
		± 0.18	± 0.22	± 0.26	± 0.30
		± 0.20	± 0.24	± 0.28	± 0.32
		± 0.22	± 0.26	± 0.30	± 0.34
		± 0.24	± 0.28	± 0.32	± 0.36
		± 0.26	± 0.30	± 0.34	± 0.38
		± 0.28	± 0.32	± 0.36	± 0.40
		± 0.30	± 0.34	± 0.38	± 0.42
		± 0.32	± 0.36	± 0.40	± 0.44
		± 0.34	± 0.38	± 0.42	± 0.46
		± 0.36	± 0.40	± 0.44	± 0.48
		± 0.38	± 0.42	± 0.46	± 0.50
		± 0.40	± 0.44	± 0.48	± 0.52
		± 0.42	± 0.46	± 0.50	± 0.54
		± 0.44	± 0.48	± 0.52	± 0.56
		± 0.46	± 0.50	± 0.54	± 0.58
		± 0.48	± 0.52	± 0.56	± 0.60
		± 0.50	± 0.54	± 0.58	± 0.62
		± 0.52	± 0.56	± 0.60	± 0.64
		± 0.54	± 0.58	± 0.62	± 0.66
		± 0.56	± 0.60	± 0.64	± 0.68
		± 0.58	± 0.62	± 0.66	± 0.70
		± 0.60	± 0.64	± 0.68	± 0.72
		± 0.62	± 0.66	± 0.70	± 0.74
		± 0.64	± 0.68	± 0.72	± 0.76
		± 0.66	± 0.70	± 0.74	± 0.78
		± 0.68	± 0.72	± 0.76	± 0.80
		± 0.70	± 0.74	± 0.78	± 0.82
		± 0.72	± 0.76	± 0.80	± 0.84
		± 0.74	± 0.78	± 0.82	± 0.86
		± 0.76	± 0.80	± 0.84	± 0.88
		± 0.78	± 0.82	± 0.86	± 0.90
		± 0.80	± 0.84	± 0.88	± 0.92
		± 0.82	± 0.86	± 0.90	± 0.94
		± 0.84	± 0.88	± 0.92	± 0.96
		± 0.86	± 0.90	± 0.94	± 0.98
		± 0.88	± 0.92	± 0.96	± 1.00

NOTE CONTRASSEGNALE:
DOTA IMPORTANTE

" ELECTRONIC UNIT "



I
MP MICROINTERRUTTORE PORTA
B/D BRILLIANTANTE/DETERSIVO
EVC VALVOLA DI CARICO
EVR VALVOLA RIGENERAZIONE
EVLV VALVOLA LAVAGGIO RESINE
EVRS VALVOLA DI "RESER"
EVM VALVOLA 1/2 CARICO
PR PRESSOSTATO
TH TERMOSTATI
NTC SONDA TEMPERATURA
SS SENSORE SALE
SB SENSORE BRILLIANTANTE
P PULSANTIERA
I INTERRUITTORE ON/OFF
PL POMPA LAVAGGIO
C CONDENSATORE
PS POMPA SCARICO
R RESISTENZA

GB/USA
DOOR MICROSWITICH
RINSING AGENT/DETERGENT DISPENSER
LOAD ELECTRIC VALVE
RIGENERATION VALVE
RESIN RIGENERATION VALVE
RESIN ELECTRIC VALVE
"RESET" VENTIL
1/2 LOAD ELECTRIC VALVE
PRESSURE SWITCH
THERMOSTATS
TEMPERATURE SENSOR
FLOAT SWITCH SALT
FLOAT SWITCH RINSE AID
PUSH BUTTONS SET
MAIN SWITCH
WASHING PUMP
CAPACITOR
DRAIN PUMPE
HEATING ELEMENT

D
TER-MIKROSCHALTER
KLARSPULMITTEL/SPULMITTELBEHALTER
EINLAUFVENTIL
ELEKTROVENTIL RIGENERIERUNG
RESIN ELEKTROVENTIL
"RESET" VENTIL
1/2 BELASTUNG VENTIL
NIVEAUSCHALTER
THERMOSTATE
TEMPERATURFUHLER
SENSOR SALT
SENSOR KLARSPUELER
DRUCKTASTENSCHALTER
HAUPTSCHALTER
UMHALZPUMPE
KONDENSATOR
ABWASSERPUMPE
HE INZKORPER

F
MICRO-INTERRUPTOR PORTE
DOSEUR DETERGENT
ELECTROVANNE DE CHARGE
ELECTROVANNE RIGENERATION
ELECTROVANNE RESINE
ELECTROVANNE DE "RESET"
ELECTROVANNE DE 1/2 CHARGE
PRESSOSTAT
THERMOSTATS
SONDE THERMIQUE
DETECTEUR DU SAL
DETECTEUR DU BRILLANTANT
POUSSOIR
INTERRUPTEUR PRINCIPAL
POMPE DE LAVAGE
CONDENSATEUR
POMPE DE VIDANGE
RESISTANCE

MODIFICHE		DISEGNATO	DATA	ESP. INT.
Materiale:	Quantità:	RIGHETTI	28/08/97	AGG.
Finitura:	Quantità:	Denominazione SCHEMA DI PRINCIPIO LS97 ST 18L ELETTRONICA SINGOLO 1/2 CARICO		
Bonferraro *** Apparecchi di lavaggio via Oberdan,57 37060 Bonferraro (VR)		Ricavato:	Scala:	
Visto:		162000464 00		

NOTE CONTRASSEGNAITE:
① QUOTA CRITICA
② QUOTA IMPORTANTE

A TERMINI DI LEGGE CI RISERVIAMO LA PROPRIETA' DEL PRESENTE DISEGNO CON DIVIETO DI USO DIFFUSIONE E RIPRODUZIONE SENZA NOSTRA AUTORIZZAZIONE SCRITTA.

Tolleranze Generali	± 0,18	± 0,30	± 0,50	± 0,80	± 1,20	± 1,60	± 2,00	± 2,50	± 3,15	± 4,00	± 5,00	± 6,30
	± 0,12	± 0,18	± 0,25	± 0,35	± 0,50	± 0,70	± 0,90	± 1,10	± 1,40	± 1,80	± 2,20	± 2,80

STE975

Varianti-Changes-Modifications-Veränderung-Variantes

Cod.Vecchio-Old Code-Vieux Code-Alte Teilnr.-Cod.Vejio	Cod.Nuovo-New Code-Nouv.Code-Neue Teilnr.-Codigo Nuevo	Data
010290120 ASTA COMANDI PIEDINI REGOLABILI 97 ADJ FOOT CONTROL ROD TIGE DE COMMANDE STEUERUNGSTAB	170290152 STA PIED.POST.45 - 98 RARE FEET ADJ.BAR 45-98 BARRE REGLEM.PIED POST. HINTERFUSS EINST.LEISTE	0//0
010370230 BACINELLA ACQUASTOP ST972 BASIN FOR WATER STOP CUVETTE WANNE FUER AQST.	760370288 BACINELLA ACQUASTOP TRAY FOR WATERSTOP CUVETTE POUR EAU-STOP SCHALE FUR WASSERSTOP	0//0
018930646 TRAVERSA ANTERIORE PL965TE FRONT CROSSPIECE TRAVERSE ANTERIEUR VORDERE QUERTRAEGER	018930729 TRAVERSA ANTERIORE PLE962X FRONT CROSSPIECE ENTRETOISE ANTERIEUR VORDERER QUERTRAEGER	0//0
688971605 TUBO CAR.AQST. 4L TDW60FI WATER STOP INLET HOSE TUYAU SCHLAUCH	688971773 TUBO CAR.AQST.3.75 DTA68N WATERSTOP INLET HOSE 3,75 TUYAU ACQUASTOP EINL.(ACQUASTOP)ROHR	0//0
689170234 STG.VASCA PL965TE CABINET CABINET BOTTICH	689170274 STG.VASCA VW20 TANK CUVE WANNE	0//0
692050452 GR.CONTROPORTA TE972EB INNER DOOR CONTREPORTE INNERETUR	692050448 GR.CONTROPORTA PL965TE INNER DOOR CONTREPORTE INNERETUR	0//0
693050118 ELETTRIVAL.LAV.DIF.PL965X DIFFER.WASHING.WATERVALVE ELECTROVANNE LAV.DIFF. ELEKTROVENTIL	813050117 ELETTRIVA.LAV.DIFF.TDW60F DIFFER.WASHING WATERVALVE ELECTROVANNE LAV.DIFF. ELEKTROVENTIL	0//0
698971586 GR.SICUR.+GALL.97 ST972 SECURITY ASS. + FLOUTER GR.SECUR.+FLOTTEUR 97 SICHERHEIT + SCHWIMMER	698972039 GR.MICRO SICUREZZA AQUASTROL SICHERHEITZ MICRO	0//0
754130915 GUARNIZ.VASCA LS97 CABINET GASKET JOINT CUVE BOTTICH DICHTUNG	754131013 GUARNIZ.VASCA CORTA LS97 CABINET GASKET JOINT CUVE BOTTICH-DICHTUNG	0//0
754851757 LISTELLO PULSANTI AZZURRO ST973 BLUE-SKY PUSH BUTT.STRIP ENJOLIVEUR BOUTONS LEISTE HELLBLAU	754851942 LISTELLO CINQUE PULSANTI TDW60-2FI 5 PUSH BUTTONS FILLET LISTEL 5 POUSSOIRS 5 KNOPFE LEISTE	0//0

STE975

760410056	BASAMENTO VERS.AQST ST972 BASEMENT BASE UNTENGESTELL INNEN	760410064	BASAMENTO H2OSTOP ZS606W BASEMENT BASE GRUNDLAGE	0//0
763734664	FRONTALINO ST973 FRONT PANEL TABLEAU DE BORD FRONTBLENDE	993736189		0//0
765850151	FERMO AGG.MASSEL. SX ST60 LEFT PLATE SOIE GAUCHE LINKER BUEGEL	995850254		0//0
765850152	FERMO AGG.MASSEL. DX ST60 RIGHT PLATE SOIE RECHTER BUEGEL	995850254		0//0
766410475	PULSANTE PULSANTIE. ST972 ON/OFF BUTTON BOUTON ON/OFF ON/OFF KNOPF	766411624	PULSANTE ON/OFF ZIS1605 ON/OFF PUSH-BUTTON POUSSOIR ON/OFF ON/OFF KNOPF	0//0
768411895	SUPP.IRR.INF.ORBIT. LS97 LOW.SPRAY SUPPORT SUPPORT BRAS INF. ORBITAL SPRUHARM HALT.	768412018	SUPP.IRROR.ORBIT. DWD64SS ORBITAL SPRAIER SUPPORT SUPPORT BRAS DE LAVAGE HALTERUNG FUR SPRUHARM	0//0
768450273	TAPPO DECALCIFICATORE LS97 WATERS.CAP BOUCHON ADOUCISS. WASSERENT.DECKEL	768450277	TAPPO DECAL.OTTICO OP54IX SOFTENER PLUG BOUCHON PFROPFEN	0//0
785730180	PIASTRINA TERMOSTATO PLATE PLAQUETTE PLAETTCHEN	785730191	PIASTR.TERM.GM 216-160 PLATE PLAQUETTE PLAETTCHEN	0//0
792970130	POMPA SCARICO LS97 DRAIN PUMP POMPE DE VIDANGE ABLAUFPUMPE	792970146	POMPA SCAR.97 230 NO-VAL. DRAIN PUMP POMPE DE VIDANGE ABLAUFPUMPE	0//0
811770119	CONDENSATORE 45 CAPACITOR CONDENSATEUR KONDENSATOR	691770142	GR.CONDENSATORE 7807P CAPACITOR CONDENSATEUR KONDENSATOR	0//0

STE975

816290360	TIMER ELETTRONICO 18L TDW60FI TIMER PROGRAMMATEUR ELECTR. TIMER	696290684	GR.TIMER ELETT. 5P 18L ELECTRONIC TIMER TIMER ELECTRONIQUE ELEKTRONISCHER TIMER	0//0
899371327	VITE SENZA FINE PIEDINI REGOLABILI FOOT SCREW VIS SCHRAUBE FUR FUSS	899371519	VITE SENZA FINE PIEDINI REGOLABILI SCREW VIS SCHRAUBE	0//0
914771502	LIBRETTO ISTR. STE974 INSTRUCTIONS MANUAL MODE D'EMPLOI BEDIENUNGSANTEILNG	914771727	LIBRETTO ST974 NOTICE	0//0

