

# SECTION 7 EXPLODED VIEWS

**NOTE:**

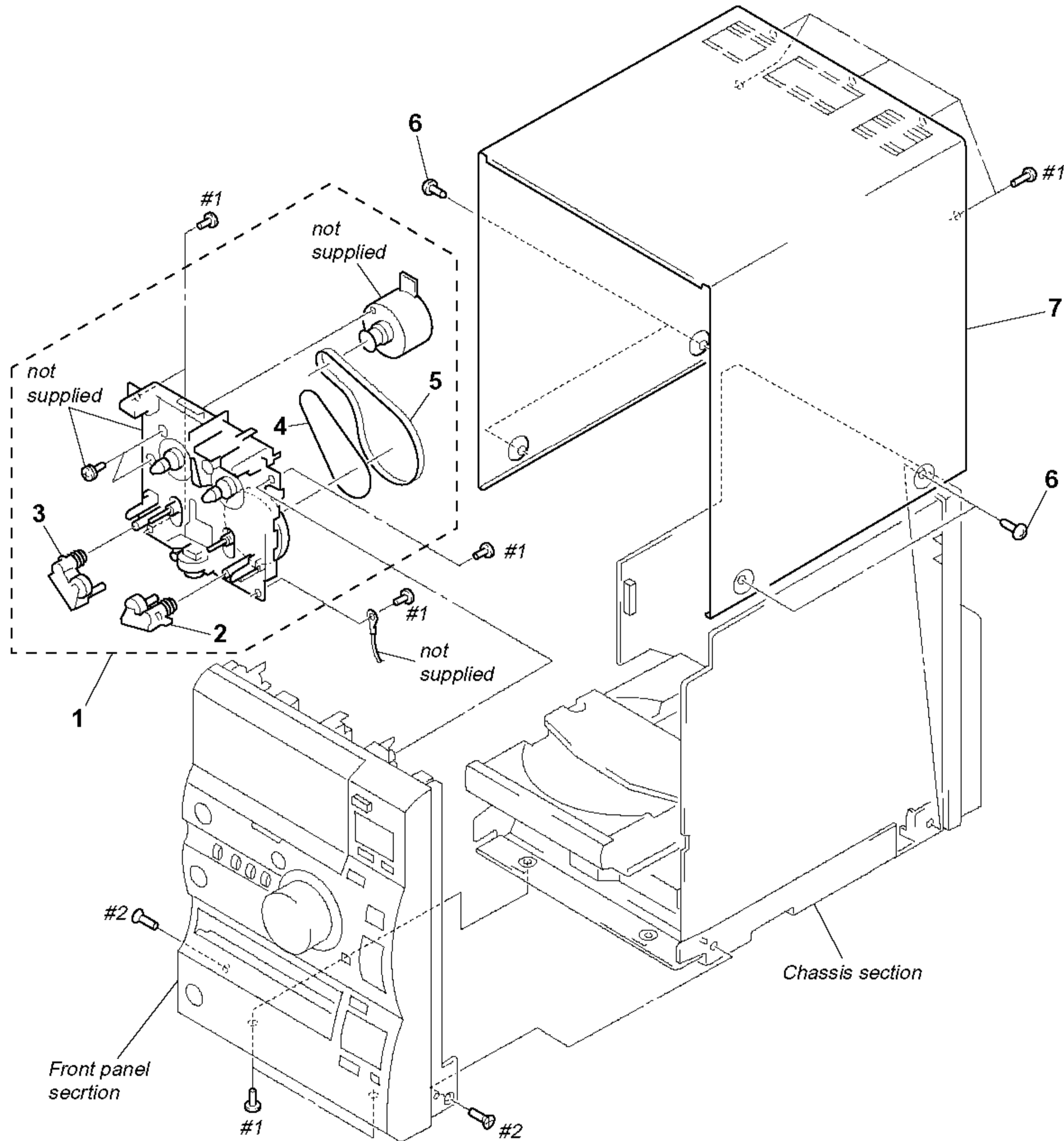
- -XX and -X mean standardized parts, so they may have some difference from the original one.
- Color Indication of Appearance Parts  
Example:  
KNOB, BALANCE (WHITE) . . . (RED)  
                                  ↑                                  ↑  
                                  Parts Color Cabinet's Color
- Abbreviation  
CND : Canadian model  
HK : Hong Kong model  
MY : Malaysia model  
SP : Singapore model  
TH : Thai model

- Items marked "\*" are not stocked since they are seldom required for routine service. Some delay should be anticipated when ordering these items.
- The mechanical parts with no reference number in the exploded views are not supplied.
- Hardware (# mark) list is given in the last of the electrical parts list.

The components identified by mark Δ or dotted line with mark Δ are critical for safety. Replace only with part number specified.

Les composants identifiés par une marque Δ sont critiques pour la sécurité. Ne les remplacer que par une pièce portant le numéro spécifié.

**(1) COVER, TAPE MECHANISM DECK SECTION**



<u>Ref. No.</u>	<u>Part No.</u>	<u>Description</u>	<u>Remark</u>	<u>Ref. No.</u>	<u>Part No.</u>	<u>Description</u>	<u>Remark</u>
1	1-772-001-11	ELECTRIC, MECHANICAL (TAPE DECK BLOCK)		5	4-997-983-01	BELT, MAIN	
2	X-4949-568-1	ROLLER PINCH BLK R ASSY		6	3-363-099-51	SCREW (CASE 3 TP2)	
3	X-4949-569-1	ROLLER PINCH BLK L ASSY		* 7	4-217-341-01	COVER (UPPER)	
4	4-997-984-01	BELT, F/R					