

SECTION 5 EXPLODED VIEWS

NOTE:

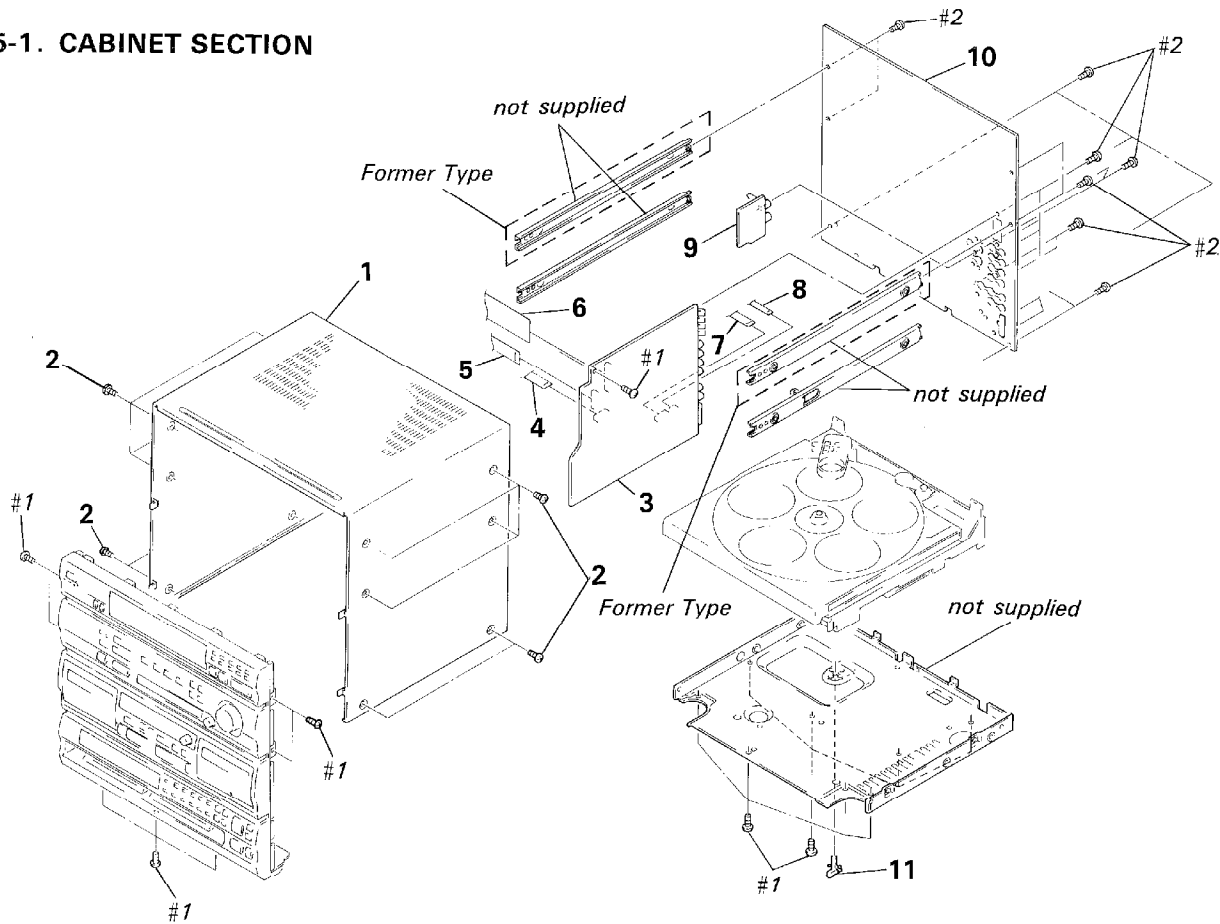
- -XX, -X mean standardized parts, so they may have some differences from the original one.
 - Color Indication of Appearance Parts
Example:
KNOB, BALANCE (WHITE)...(RED)
- ↑ Parts color ↑ Cabinet's color

- Items marked "*" are not stocked since they are seldom required for routine service. Some delay should be anticipated when ordering these items.
- The mechanical parts with no reference number in the exploded views are not supplied.
- Hardware (#mark) list and accessories and packing materials are given in the last of this parts list.
- Abbreviation
MX : Mexican

The components identified by mark Δ or dotted line with mark Δ are critical for safety. Replace only with part number specified.

Les composants identifiés par une marque Δ sont critiques pour la sécurité. Ne les remplacer que par une pièce portant le numéro spécifié.

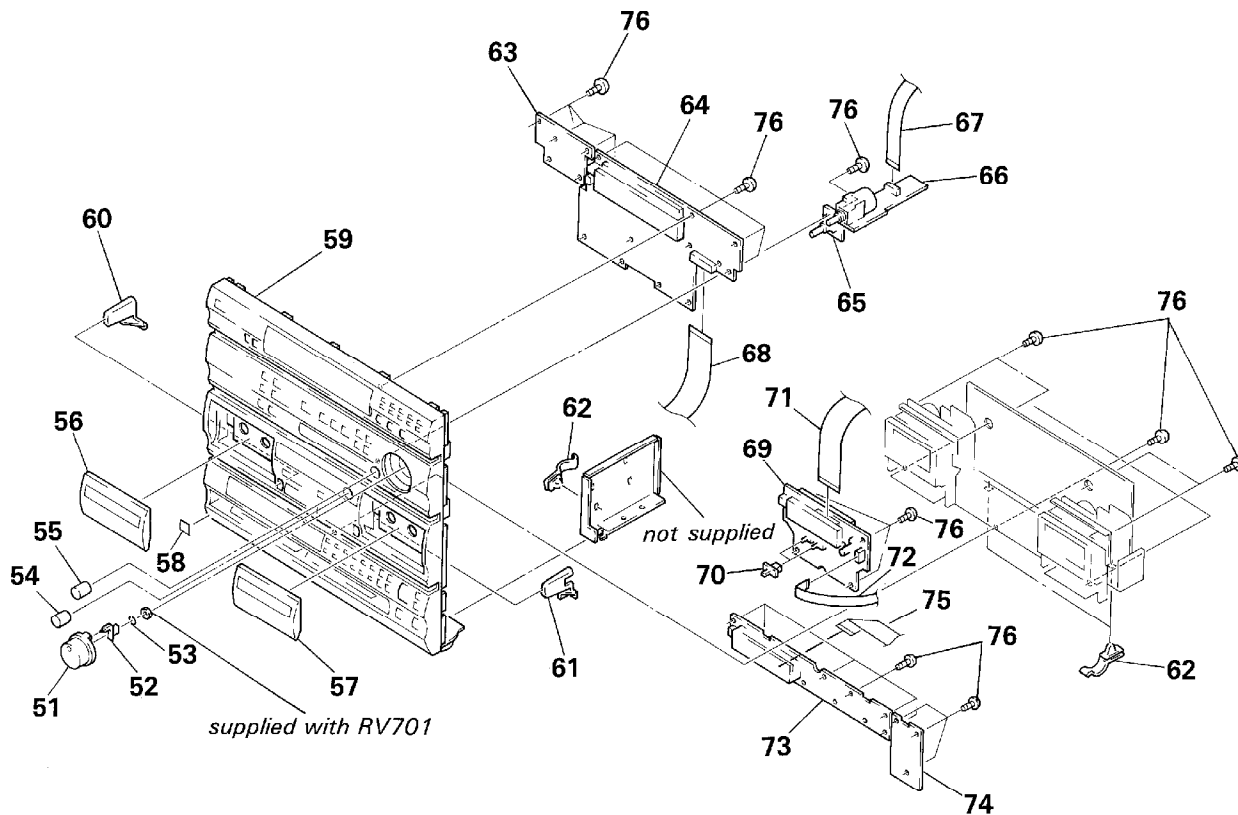
5-1. CABINET SECTION



Ref. No.	Part No.	Description	Remark
* 1	4-963-265-71	CASE	
2	3-363-099-01	SCREW (CASE 3 TP2)	
* 3	A-4371-420-A	MAIN BOARD, COMPLETE (US, Canadian, MX)	
* 3	A-4371-422-A	MAIN BOARD, COMPLETE (E)	
* 3	A-4371-603-A	MAIN BOARD, COMPLETE (AEP)	
4	1-575-906-11	WIRE, FLAT TYPE (15 CORE)	
5	1-696-930-11	WIRE (FLAT TYPE) (17 CORE)	
6	1-765-165-11	WIRE (FLAT TYPE) (35 CORE)	
7	1-765-162-11	CORD, CONNECTION (15 CORE)	

Ref. No.	Part No.	Description	Remark
8	1-575-662-11	WIRE, FLAT TYPE (5 CORE)	
* 9	1-650-639-11	VIDEO BOARD	
* 10	4-967-129-11	PANEL, BACK (US)	
* 10	4-967-129-21	PANEL, BACK (E)	
* 10	4-967-129-31	PANEL, BACK (Canadian)	
* 10	4-967-129-51	PANEL, BACK (MX)	
* 10	4-967-129-61	PANEL, BACK (AEP)	
11	4-937-945-01	PLATE (TRANSPORT), LOCK	

5-2. FRONT PANEL SECTION



Ref. No.	Part No.	Description	Remark
51	4-949-659-01	KNOB (VOL-NEW)	
52	4-958-991-01	PLATE (VOL.), LIGHT GUIDE	
53	3-350-426-01	SPRING, RING	
54	4-930-784-21	KNOB (SD) (WITH RED POINT)	
55	4-930-784-11	KNOB (SD)	
56	A-4361-019-A	LID (A) ASSY, CASSETTE	
57	A-4361-020-A	LID (B) ASSY, CASSETTE	
58	3-703-710-41	STICKER, SONY SYMBOL (12)	
59	A-4361-017-A	PANEL ASSY, FRONT (US, Canadian)	
59	A-4361-018-A	PANEL ASSY, FRONT (AEP, E, MX)	
60	4-963-255-11	BUTTON (EJECT-1)	
61	4-963-256-11	BUTTON (EJECT-2)	
* 62	3-646-076-00	CLIP (7R), CABLE	
* 63	1-650-697-11	TUNER KEY BOARD	
* 64	A-4371-411-A	DISPLAY BOARD, COMPLETE (US, Canadian)	

Ref. No.	Part No.	Description	Remark
* 64	A-4371-423-A	DISPLAY BOARD, COMPLETE (MX)	
* 64	A-4371-421-A	DISPLAY BOARD, COMPLETE (AEP, E)	
* 65	1-650-699-11	BALANCE BOARD	
* 66	1-650-698-11	VOLUME BOARD	
67	1-575-906-11	WIRE, FLAT TYPE (15 CORE)	
68	1-765-165-11	WIRE (FLAT TYPE) (35 CORE)	
* 69	A-4371-418-A	TC SW BOARD, COMPLETE	
70	4-963-544-11	KNOB (SLIDE)	
71	1-696-456-11	WIRE (FLAT TYPE) (31 CORE)	
72	1-696-981-11	WIRE (FLAT TYPE) (5 CORE)	
* 73	A-4371-413-A	CD DISP BOARD, COMPLETE	
* 74	1-650-701-11	CD KEY BOARD	
75	1-765-243-11	WIRE (FLAT TYPE) (35 CORE)	
76	4-951-620-01	SCREW (2. 6X8), +BVTP	