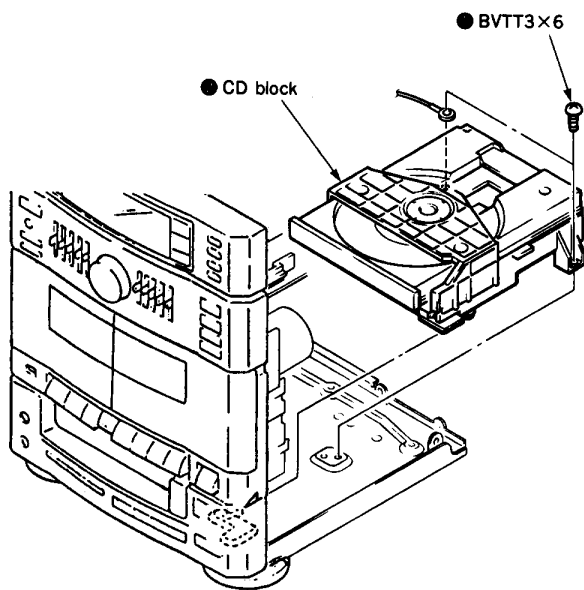
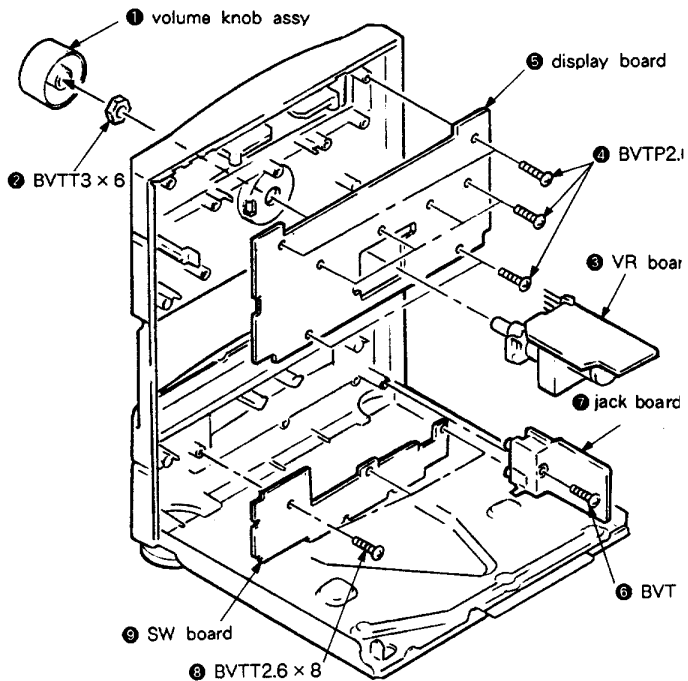


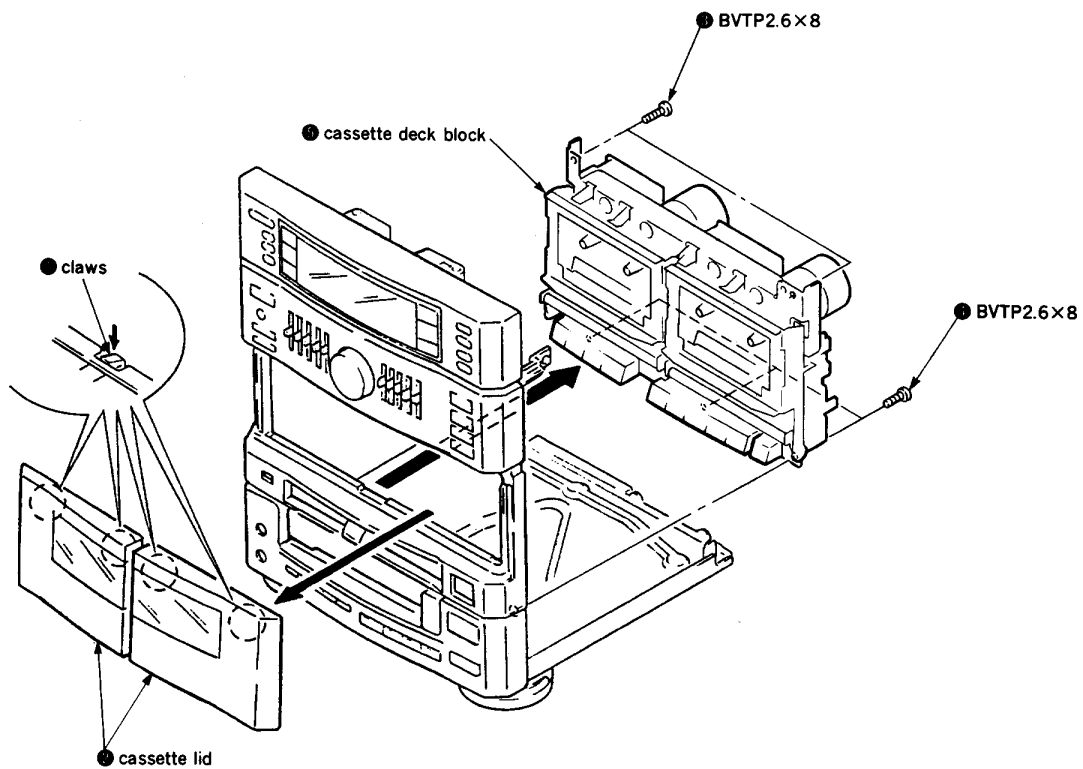
3-4. CD BLOCK



3-6. VR, DISPLAY, JACK, SW BOARDS

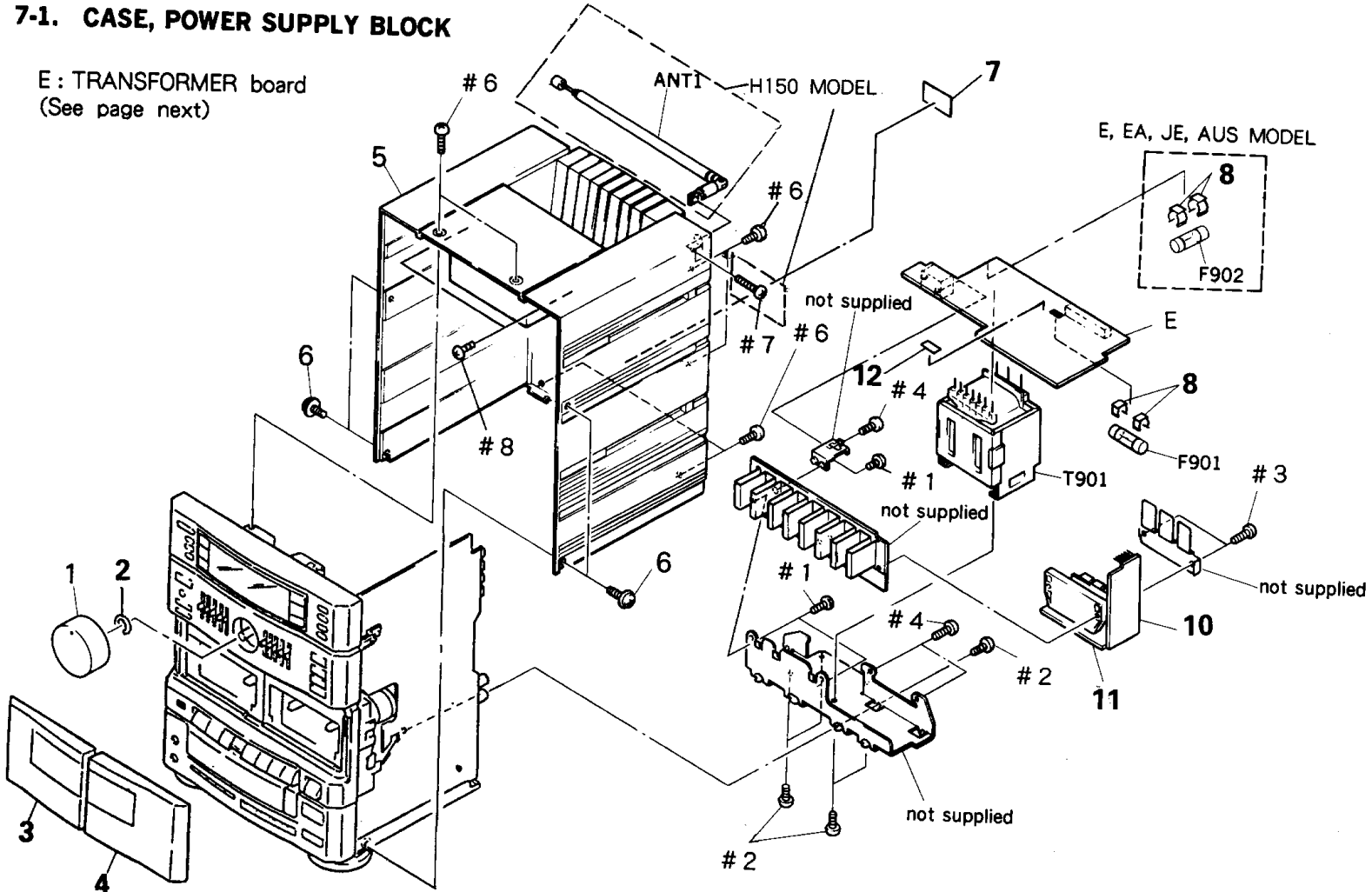


3-5. CASSETTE DECK BLOCK



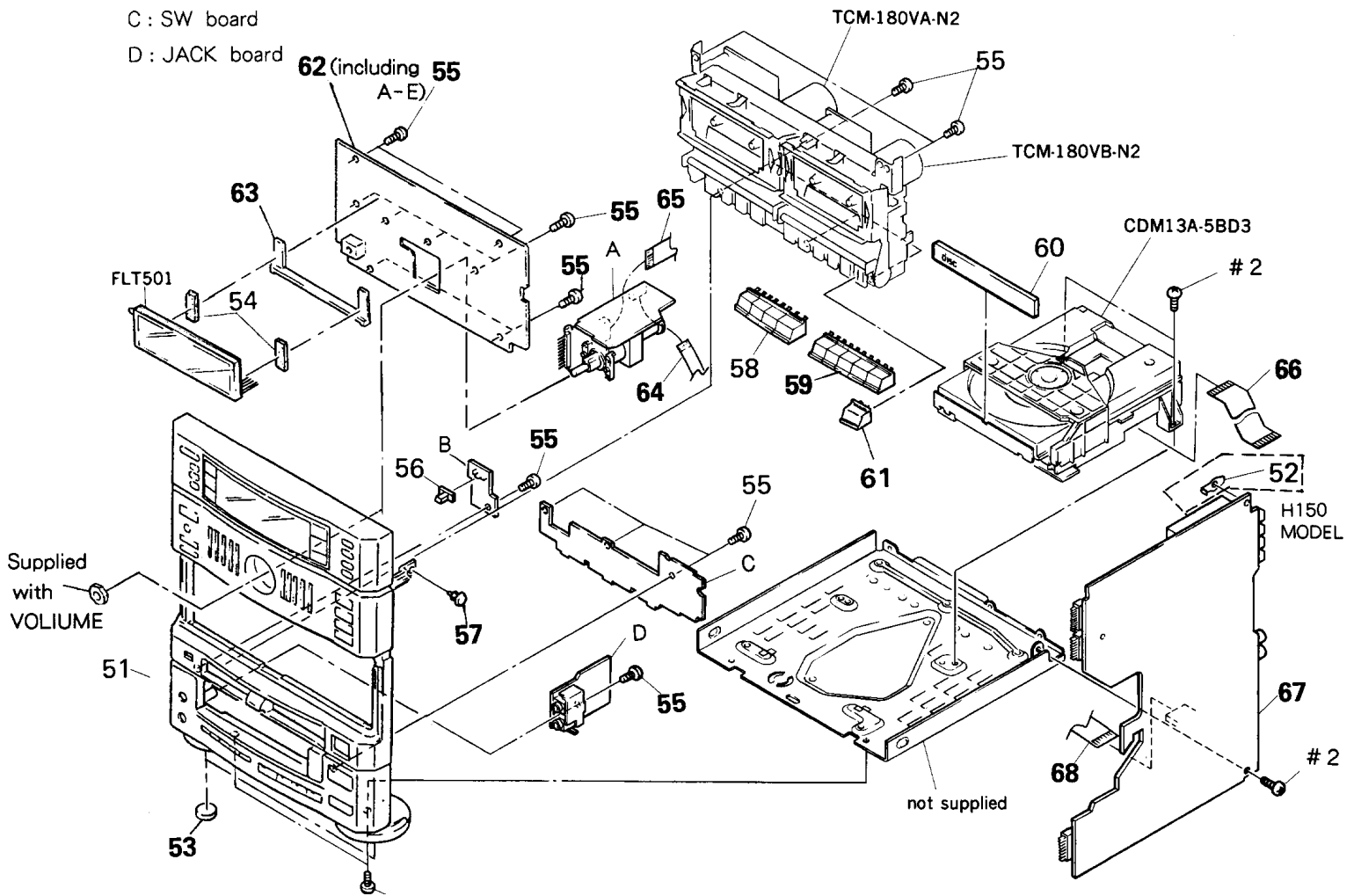
7-1. CASE, POWER SUPPLY BLOCK

E: TRANSFORMER board
(See page next)



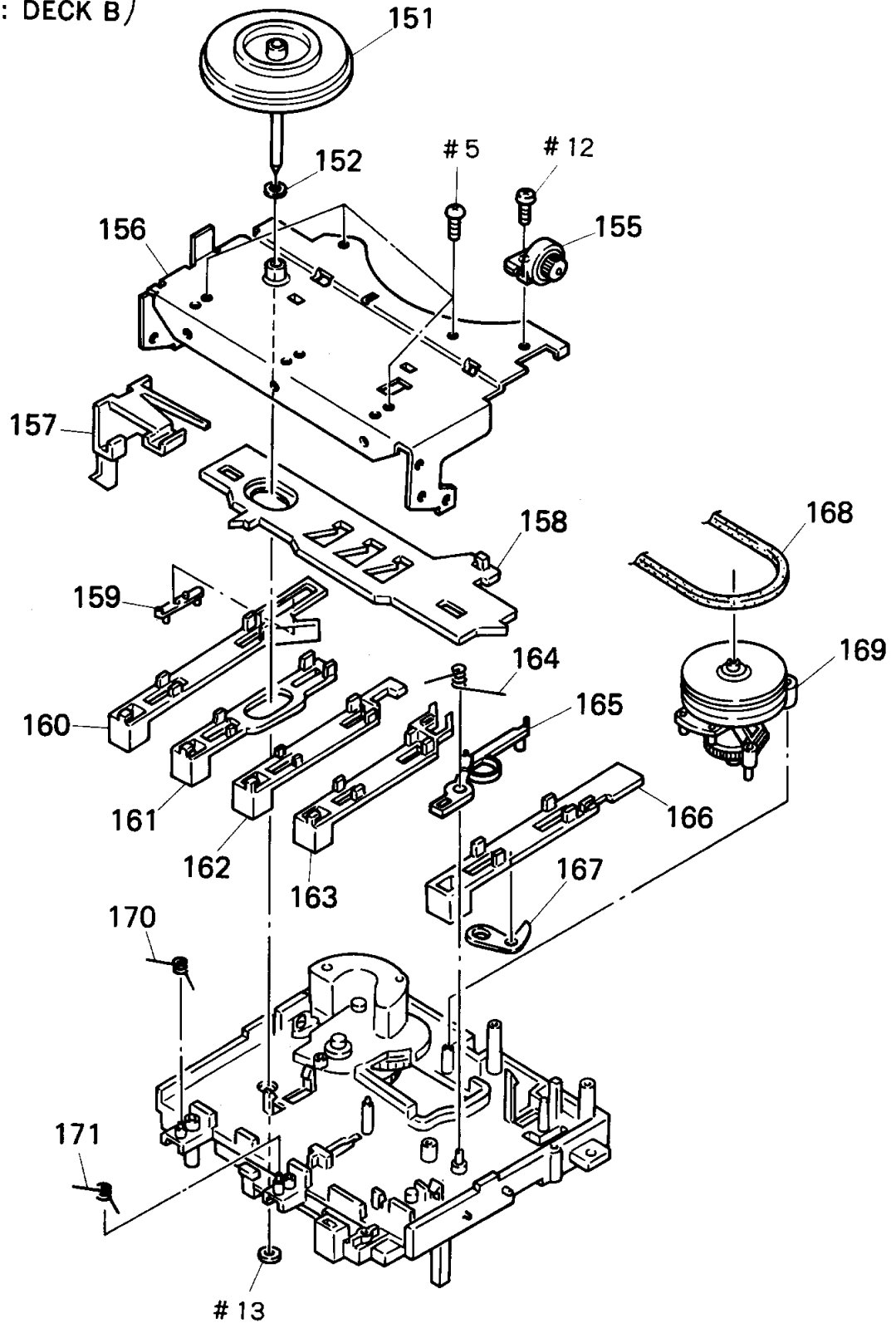
7-2. FRONT PANEL, MAIN BOARD BLOCK

- A : VR board
- B : DOLBY board
- C : SW board
- D : JACK board



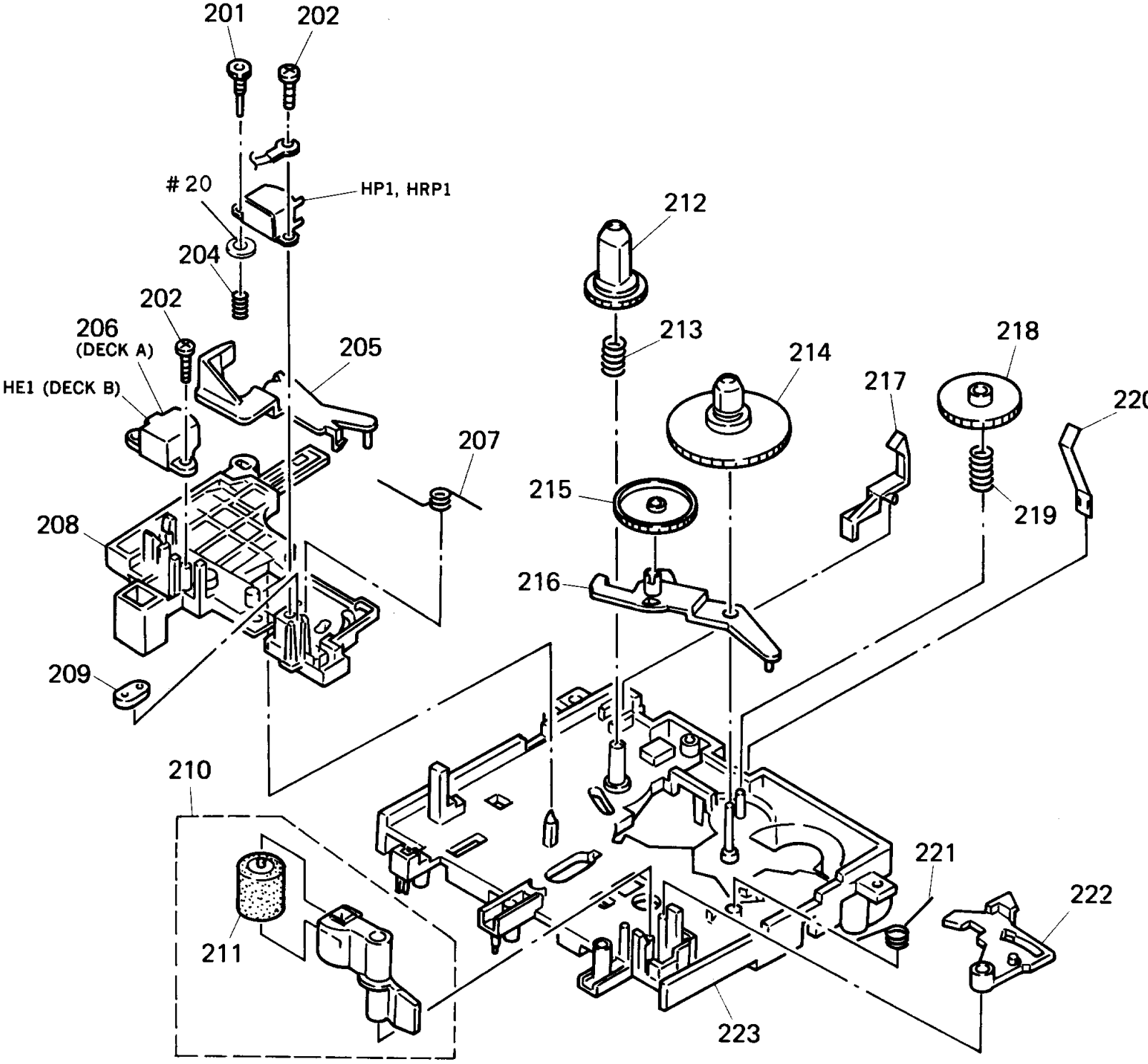
7-4. MECHANISM DECK BLOCK (1)

(TCM-180VA-N2: DECK A)
(TCM-180VB-N2: DECK B)

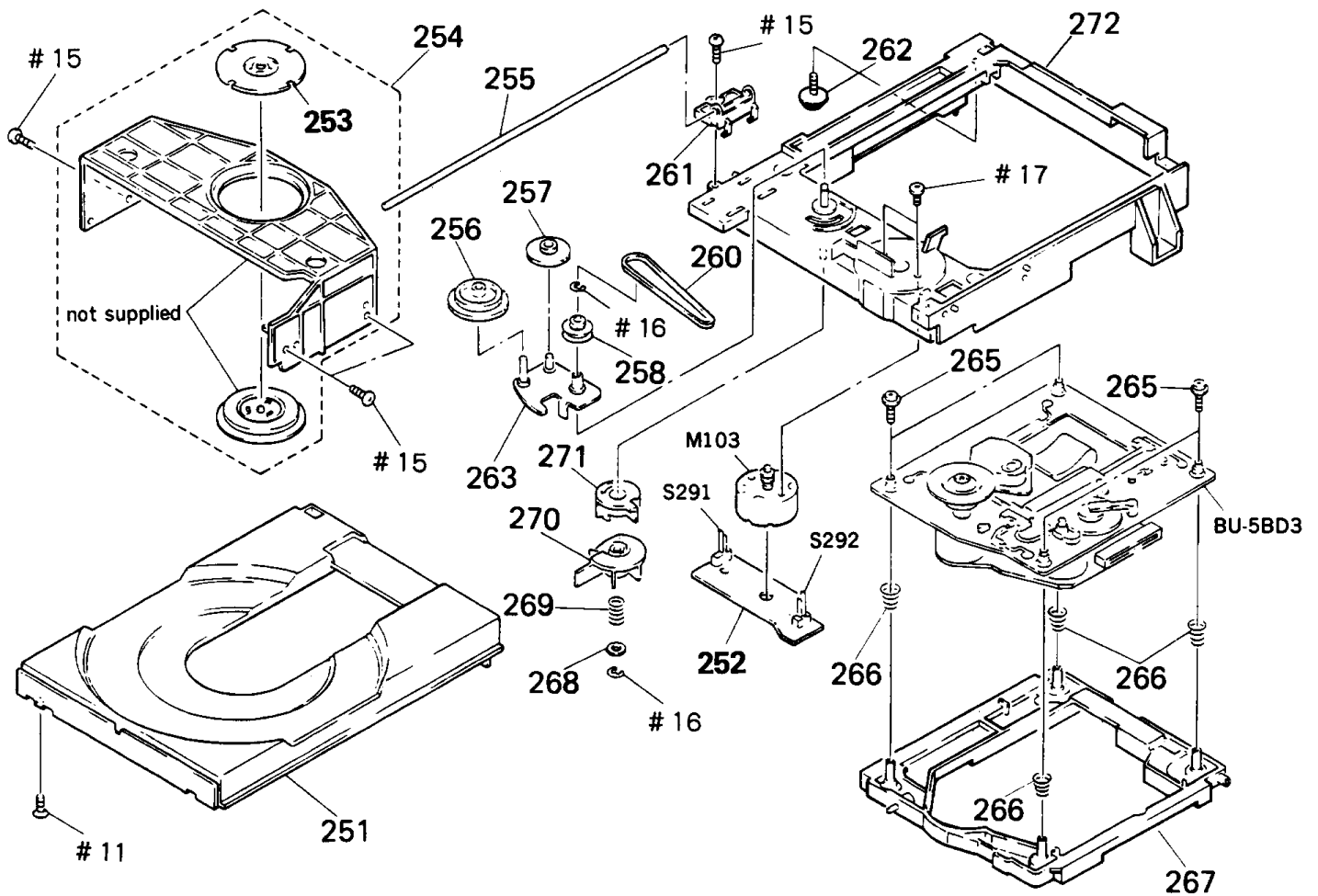


7-5. MECHANISM DECK BLOCK (2)

(TCM-180VA-N2: DECK A)
(TCM-180VB-N2: DECK B)



**7-6. CD BLOCK (1)
(CDM13A-5BD3)**



7-7. CD BLOCK (2)
(BU-5BD3)

