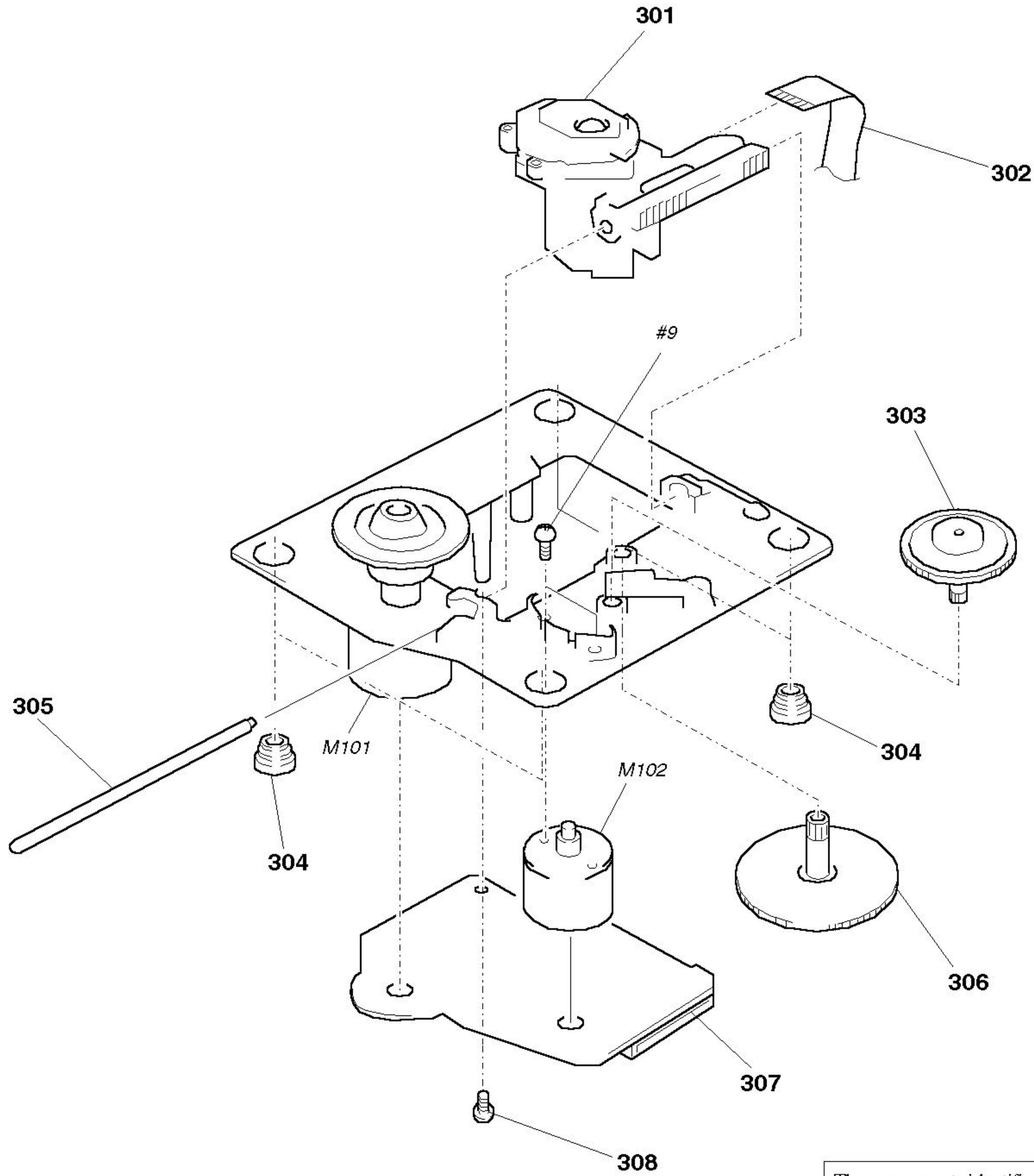


8-6. BASE UNIT SECTION (BU-5BD29AL)



The components identified by mark \triangle or dotted line with mark \triangle are critical for safety. Replace only with part number specified.

Ref. No.	Part No.	Description	Remark	Ref. No.	Part No.	Description	Remark
\triangle 301	8-820-020-02	OPTICAL PICK-UP BLOCK KSS-213D/Q-NP		306	4-917-564-01	GEAR (P), FLATNESS	
302	1-769-069-11	WIRE (FLAT TYPE) (16 CORE)		* 307	A-4699-522-A	BD BOARD, COMPLETE	
303	4-912-567-21	GEAR (M)		308	4-951-620-01	SCREW (2.6X8), +BVTP	
304	4-951-940-01	INSULATOR (BU)		M101	X-4917-523-4	MOTOR ASSY (SPINDLE)	
305	4-917-565-01	SHAFT, SLED		M102	X-4917-504-1	MOTOR ASSY (SLED)	