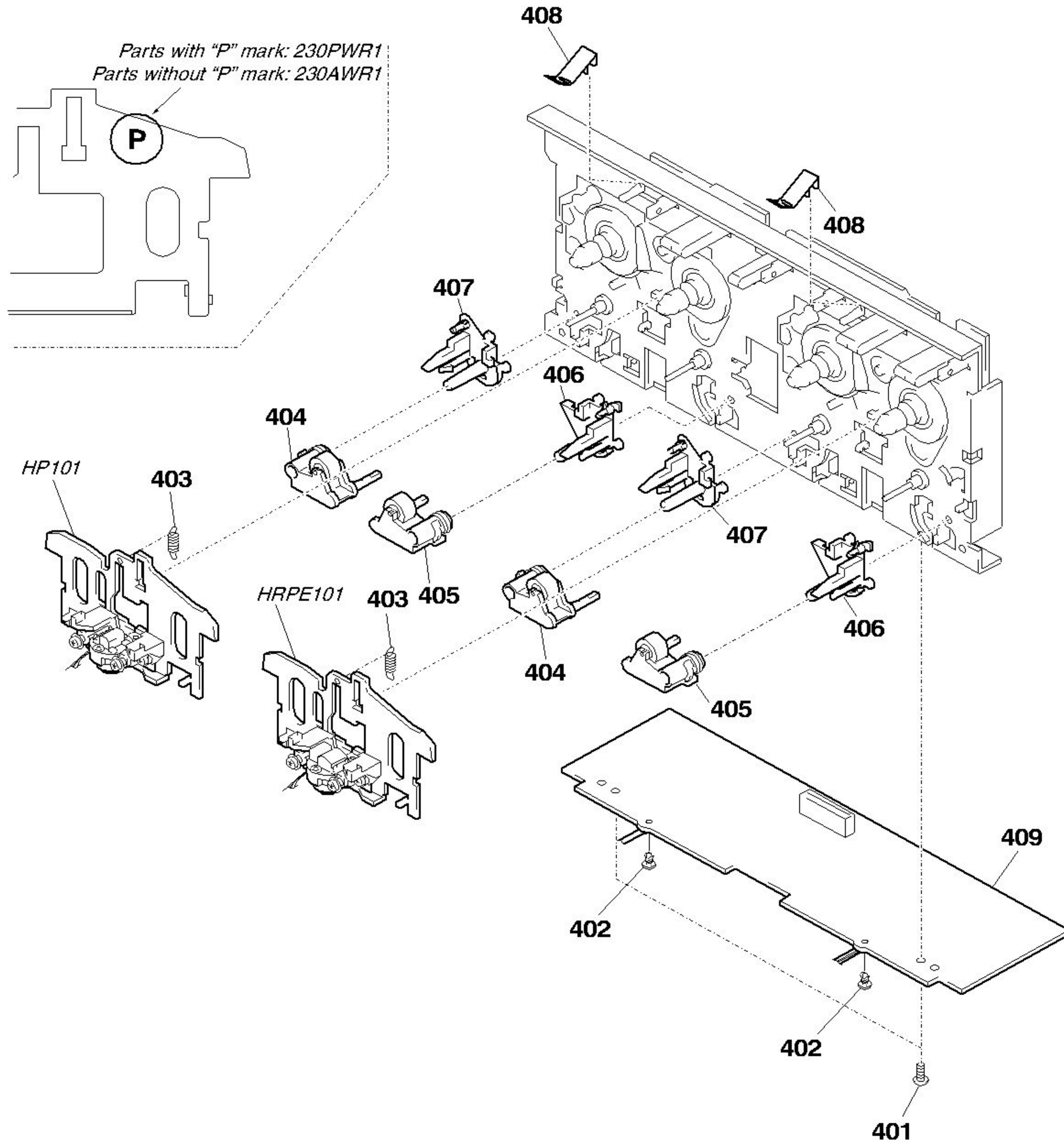


## 8-7. TC MECHANISM SECTION 1 (TCM230AWR1) (TCM230PWR1)

**\*NOTE:** Two types of parts which are not interchangeable are available for the Head deck (A) ASSY and Head deck (B) ASSY. When replacing the parts, refer to the following figure, and use the appropriate part



Ref. No.	Part No.	Description	Remark	Ref. No.	Part No.	Description	Remark
401	3-376-464-11	SCREW (+PTT 2.6X6), GROUND POINT		407	3-016-565-01	BASE (PINCH LEVER REV)	
402	3-911-116-21	RIVET, PUSH		408	3-016-567-02	SPRING (CASSETTE), LEAF	
403	3-016-574-01	SPRING (HEAD), TENSION		* 409	A-2007-731-A	AUDIO BOARD, COMPLETE	
404	X-3374-156-2	PINCH LEVER (REV) ASSY		HP101	A-2056-681-A	DECK (A) ASSY, HEAD (230AWR1)(*NOTE)	
405	X-3374-155-2	PINCH LEVER (FWD) ASSY		HP101	A-2056-683-A	DECK (A) ASSY, HEAD (230PWR1)(*NOTE)	
406	3-016-564-01	BASE (PINCH LEVER FWD)		HRPE101	A-2056-682-A	DECK (B) ASSY, HEAD (230AWR1)(*NOTE)	
				HRPE101	A-2056-684-A	DECK (B) ASSY, HEAD (230PWR1)(*NOTE)	