

SECTION 8 EXPLODED VIEWS

NOTE:

- XX and -X mean standardized parts, so they may have some difference from the original one.

- Color Indication of Appearance Parts

Example:

KNOB, BALANCE (WHITE) . . . (RED)
 ↑ ↑
 Parts Color Cabinet's Color

- Abbreviation

AED : North European	EA4 : Israel
AR : Argentine	G : German
AUS : Australian	KR : Korean
CND : Canadian	MX : Mexican
E2 : 120 V AC Area in E model	SP : Singapore
E3 : 240 V AC Area in E model	TH : Thai
EA3 : Saudi Arabia	TW : Taiwan

- Items marked "*" are not stocked since they are seldom required for routine service. Some delay should be anticipated when ordering these items.

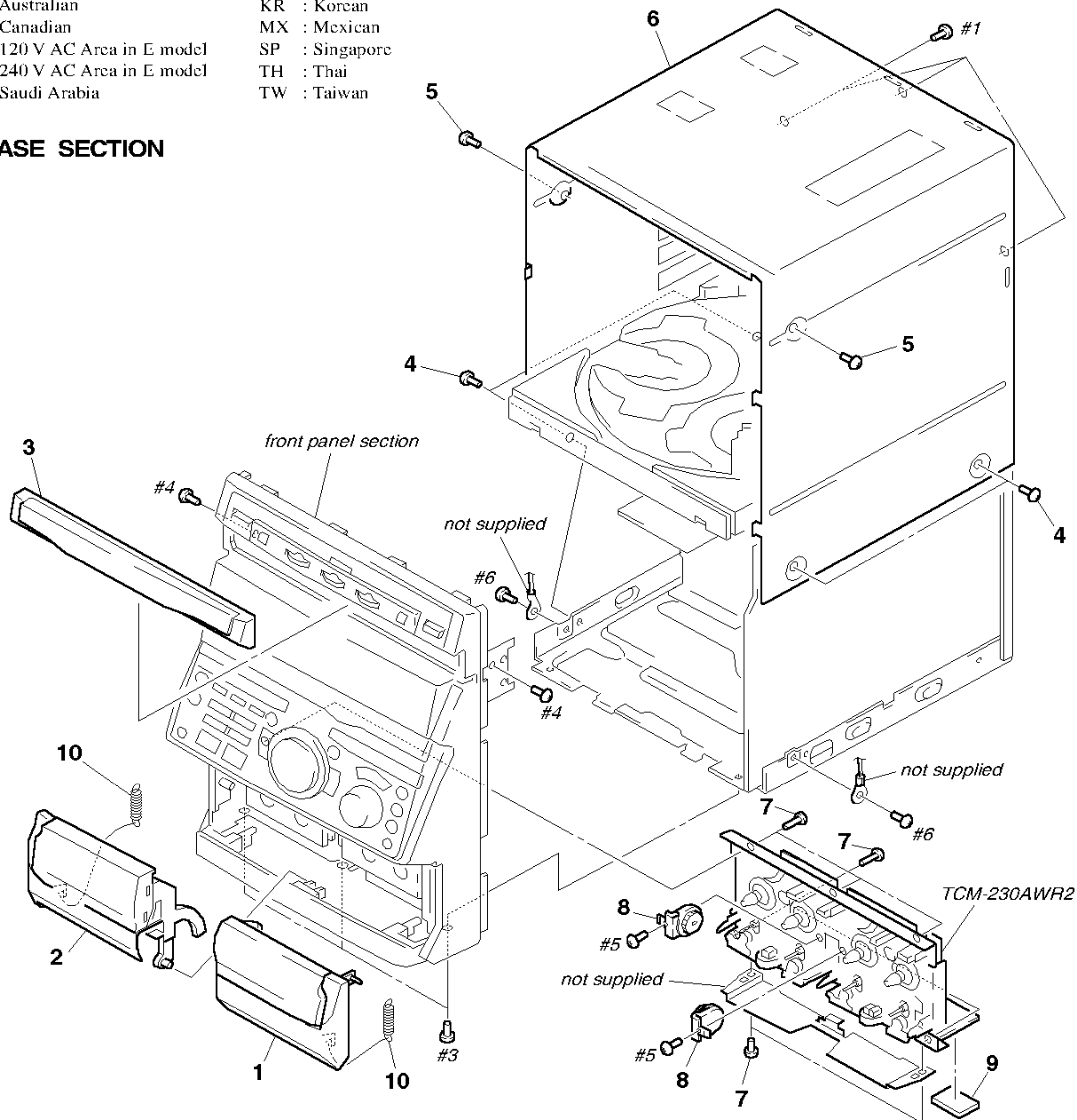
- The mechanical parts with no reference number in the exploded views are not supplied.

- Hardware (# mark) list is given in the last of the electrical parts list.

The components identified by mark Δ or dotted line with mark Δ are critical for safety. Replace only with part number specified.

Les composants identifiés par une marque Δ sont critiques pour la sécurité. Ne les remplacer que par une pièce portant le numéro spécifié.

(1) CASE SECTION



Ref. No.	Part No.	Description	Remark	Ref. No.	Part No.	Description	Remark
1	X-4950-832-1	HOLDER (R) ASSY, CASSETTE (SILVER)		4	3-363-099-11	SCREW (CASE 3 TP2) (3X8) (SILVER)	
1	X-4950-971-1	HOLDER (R) ASSY, CASSETTE (GLAY)		5	3-363-099-41	SCREW (CASE 3 TP2) (3X12) (GLAY)	
2	X-4950-828-1	HOLDER (L) ASSY, CASSETTE (SILVER)		5	3-363-099-71	SCREW (CASE 3 TP2) (3X12) (SILVER)	
2	X-4950-970-1	HOLDER (L) ASSY, CASSETTE (GLAY)		*	6	4-214-443-01	CASE (SILVER)
3	X-4950-751-1	PANEL ASSY, LOADING (SILVER) (GRX50)		*	6	4-215-752-01	CASE (GLAY)
3	X-4950-752-1	PANEL ASSY, LOADING (RXD7)		7	4-951-620-01	SCREW (2.6X8), +BVTP	
3	X-4950-957-1	PANEL ASSY, LOADING (R770)		8	4-215-062-01	DAMPER	
3	X-4951-471-1	PANEL ASSY, LOADING (GLAY) (GRX50)		9	4-985-642-01	CUSHION	
4	3-363-099-01	SCREW (CASE 3 TP2) (3X8) (GLAY)		10	4-219-087-01	SPRING, TENSION	