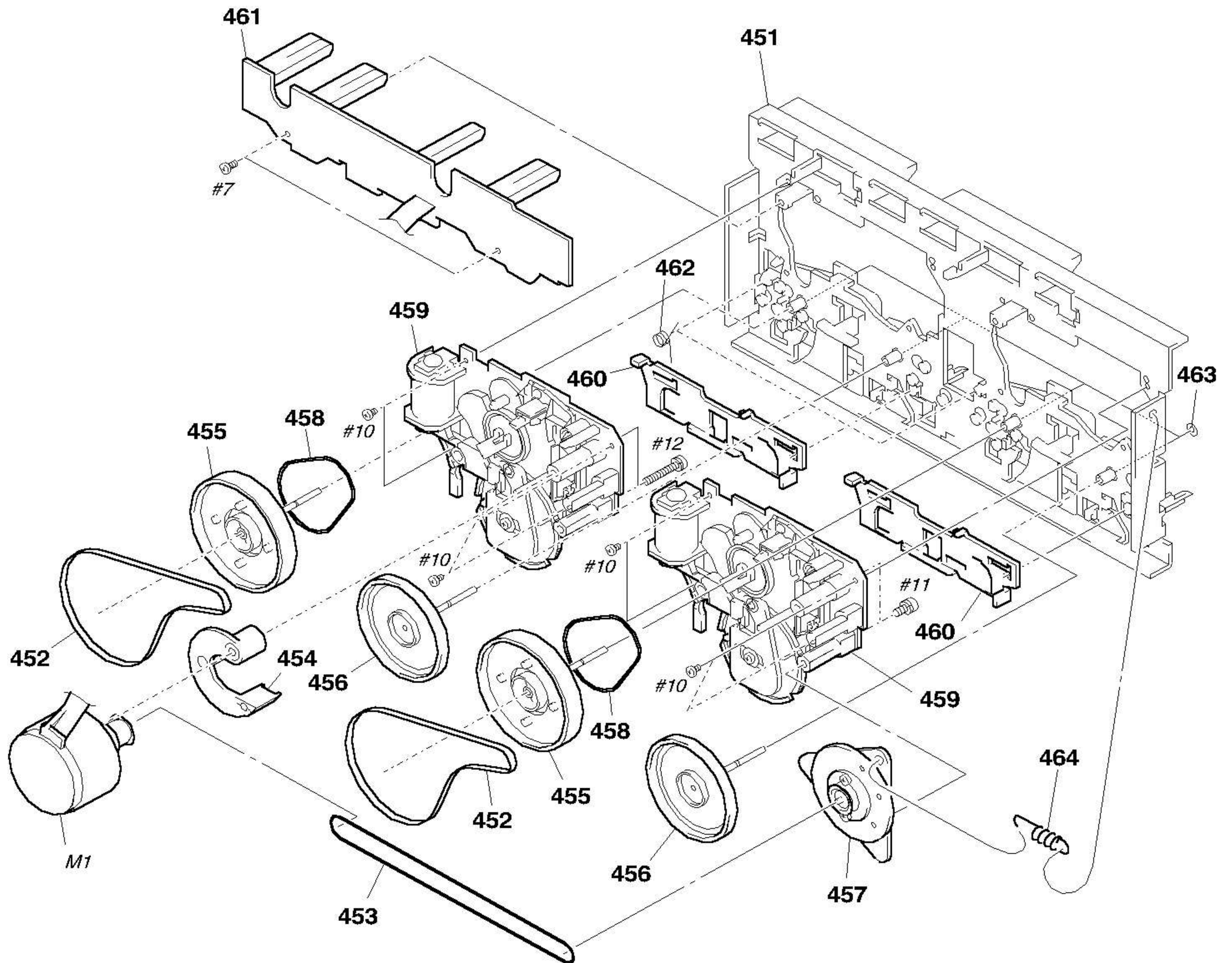


**(8) TAPE MECHANISM DECK SECTION-2  
(TCM-230AWR2)**



Ref. No.	Part No.	Description	Remark	Ref. No.	Part No.	Description	Remark
* 451	X-3374-214-3	CHASSIS ASSY, MAIN		459	A-2004-629-A	MECHANICAL BLOCK ASSY	
452	3-016-570-01	BELT (CAPSTAN)		460	3-016-566-01	SLIDER, REVERSE	
453	3-016-569-01	BELT (TENSION)		* 461	A-2007-732-A	LEAF SW BOARD, COMPLETE	
454	3-017-360-01	BRACKET (MOTOR)		462	3-016-575-11	SPRING, TORSION	
455	X-3376-497-1	FLYWHEEL (FWD) ASSY		463	3-019-208-01	WASHER, STOPPER	
456	X-3374-235-1	FLYWHEEL (REV) ASSY		464	3-027-453-01	SPRING (GROUND), TENSION	
457	X-3374-238-1	PULLEY ASSY, TENSION		465	3-030-823-01	SCREW (+BVTT) (2X3.5)	
458	3-024-405-01	BELT (FR2)		M1	A-2004-628-A	MOTOR ASSY, CAPSTAN	