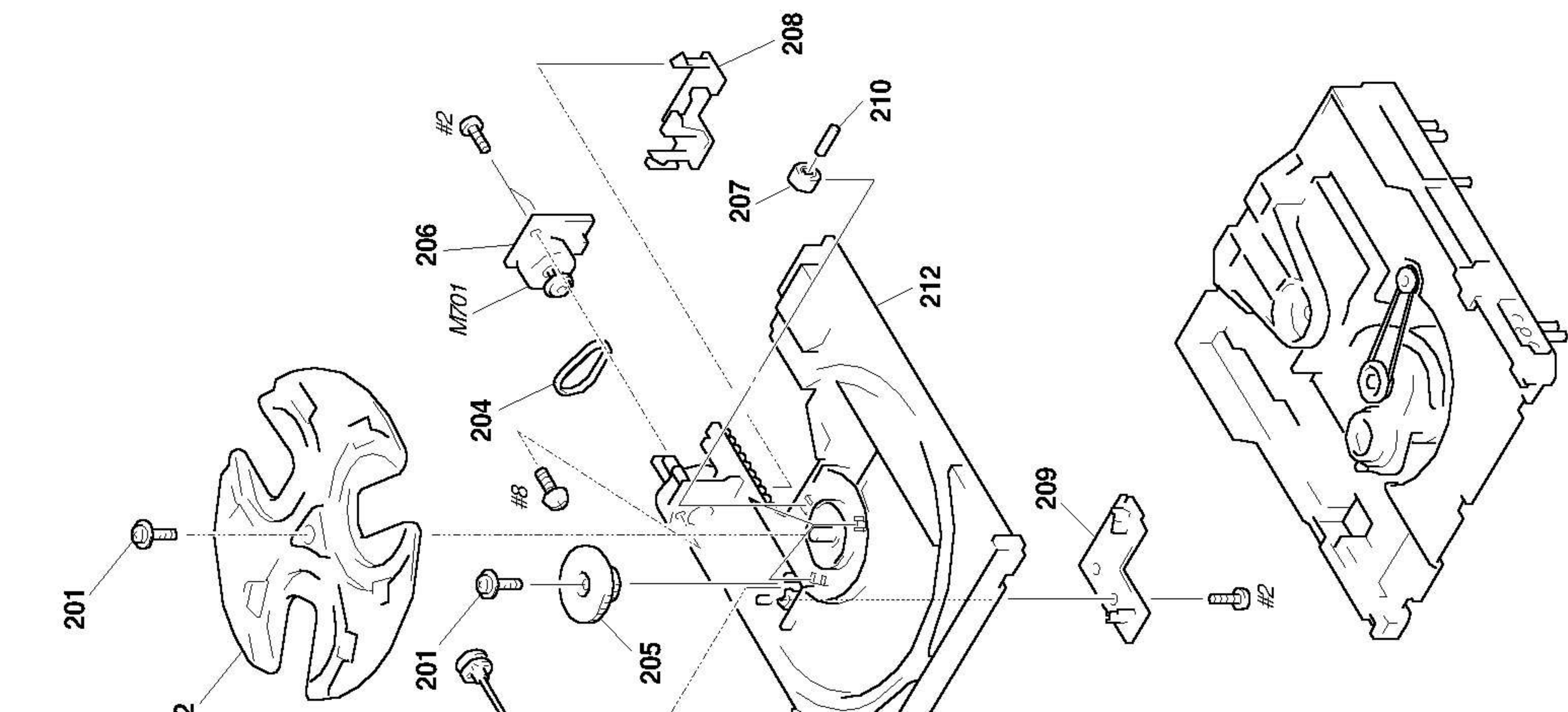


Ref. No.	Part No.	Description	Remark	Ref. No.	Part No.	Description
251	4-981-789-11	BRACKET (2), YOKE		262	1-658-578-11	MOTOR (SLIDE) F
252	4-977-954-01	PULLEY (SL)		263	4-982-447-01	SPRING (BU), CO
253	4-977-953-01	GEAR (SL-A)		264	4-951-620-41	SCREW (2.6), +B
254	4-977-955-01	GEAR (SL-B)		265	X-4949-570-1	HOLDER (BU) AS
255	4-977-942-01	BELT (SL) (1.4)		266	4-989-494-01	SCREW (SLIDER)



Ref. No.	Part No.	Description	Remark
201	4-981-789-11	BRACKET (2), YOKE	
202	4-977-954-01	PULLEY (SL)	
203	4-977-953-01	GEAR (SL-A)	
204	4-977-955-01	GEAR (SL-B)	
205	4-977-942-01	BELT (SL) (1.4)	