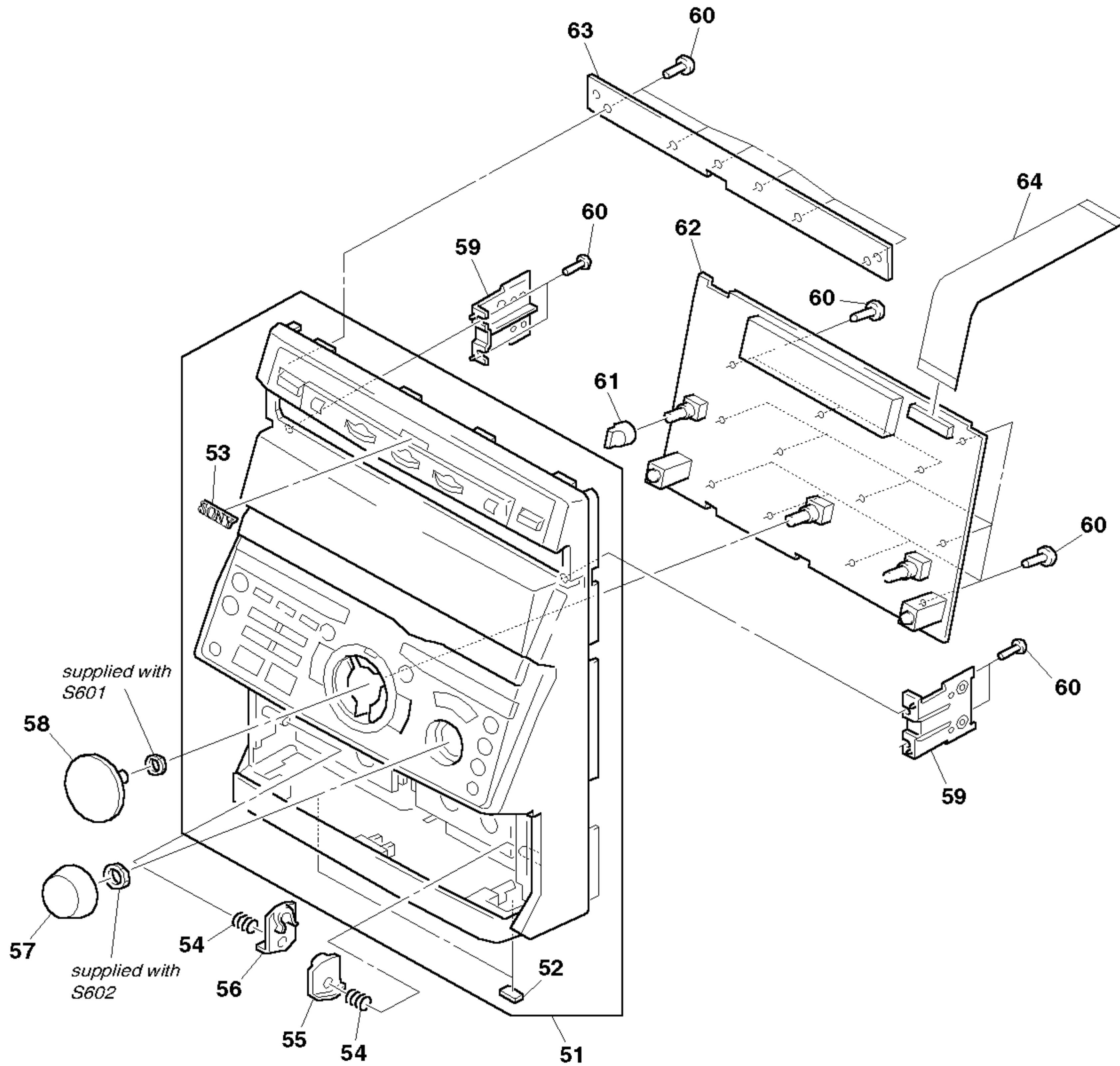


(2) FRONT PANEL SECTION



Ref. No.	Part No.	Description	Remark	Ref. No.	Part No.	Description	Remark
51	X-4950-822-1	PANEL ASSY, FRONT (SILVER) (GRX50)		57	4-214-384-51	KNOB (VOL) (R770)	
51	X-4950-823-1	PANEL ASSY, FRONT (RXD7: AEP)		58	4-214-383-11	KNOB (JOG) (GRX50/RXD7)	
51	X-4950-938-1	PANEL ASSY, FRONT (RXD7: CND)		58	4-214-383-51	KNOB (JOG) (R770)	
51	X-4950-982-1	PANEL ASSY, FRONT (R770)		* 59	4-996-716-01	HOLDER (CDM)	
51	X-4951-448-1	PANEL ASSY, FRONT (GLAY) (GRX50: E3)		60	4-951-620-01	SCREW (2.6X8), +BVTP	
51	X-4951-449-1	PANEL ASSY, FRONT (GLAY) (GRX50: EA3)		61	4-214-385-11	KNOB (MIC) (GRX50/RXD7)	
52	4-930-336-61	FOOT (FELT)		61	4-214-385-51	KNOB (MIC) (R770)	
53	4-962-708-71	EMBLEM (4-A), SONY		* 62	A-4417-722-A	PANEL BOARD, COMPLETE	(EXCEPT GRX50: EA3)
54	4-214-775-11	SPRING, PUSH CATCHER RETURN		* 62	A-4419-727-A	PANEL BOARD, COMPLETE (GRX50: EA3)	
55	4-214-761-11	CATCHER (B), PUSH		* 63	A-4417-727-A	CD SW BOARD, COMPLETE	
56	4-214-760-11	CATCHER (A), PUSH		64	1-773-188-11	WIRE (FLAT TYPE) (23 CORE)	
57	4-214-384-11	KNOB (VOL) (GRX50/RXD7)					