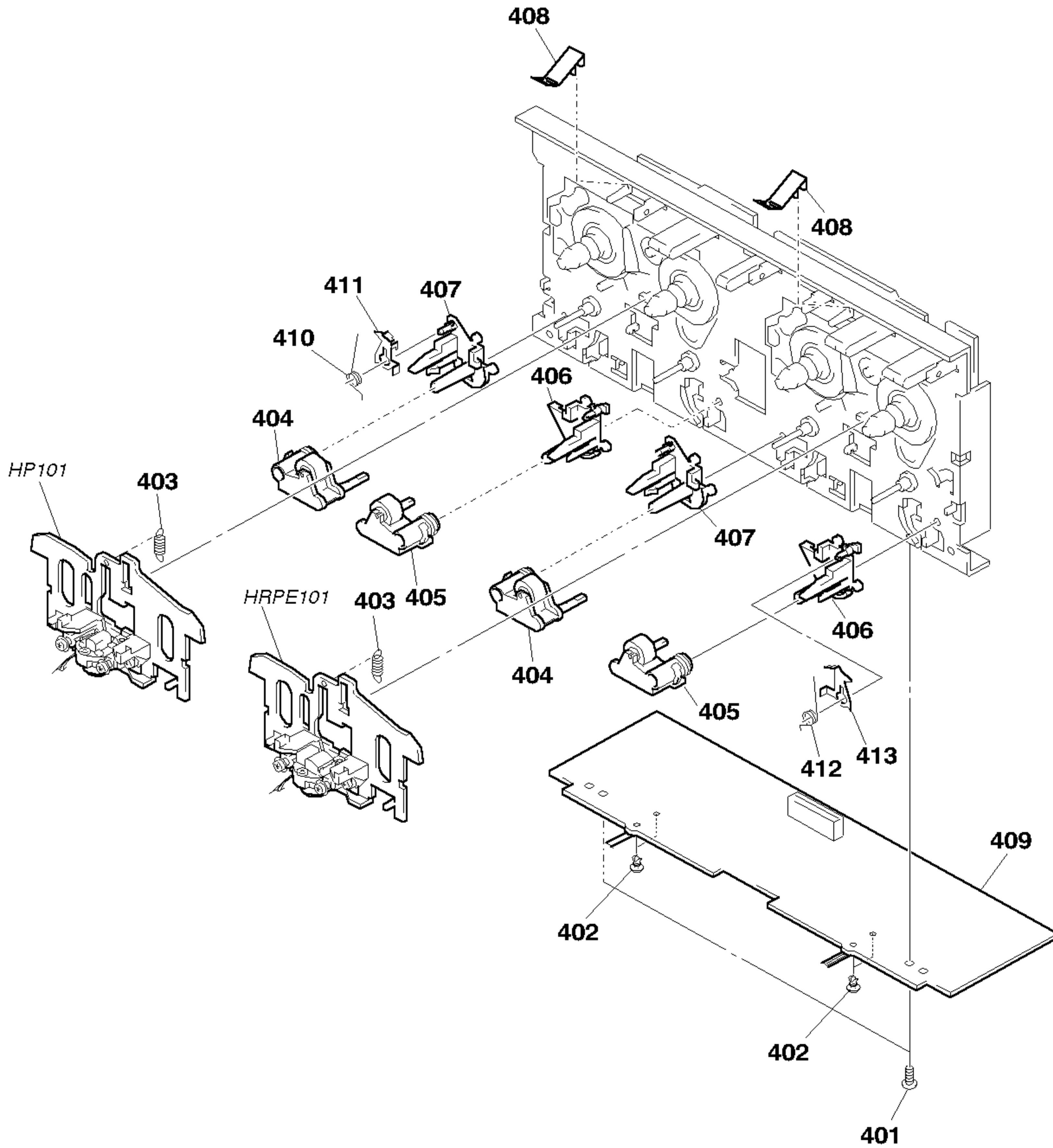


**(7) TAPE MECHANISM DECK SECTION-1
(TCM-230AWR2)**



Ref. No.	Part No.	Description	Remark	Ref. No.	Part No.	Description	Remark
401	3-376-464-11	SCREW (+PTT 2.6X6), GROUND POINT		* 409	A-2007-731-A	AUDIO BOARD, COMPLETE	
402	3-911-116-21	RIVET, PUSH		410	3-032-809-02	SPRING (L), TORSION	
403	3-016-574-11	SPRING (HEAD), TENSION		411	3-016-572-01	LEVER (EJECT PREVENTION L)	
404	X-3374-156-4	PINCH LEVER (REV) ASSY		412	3-032-810-02	SPRING (R), TORSION	
405	X-3374-155-4	PINCH LEVER (FWD) ASSY		413	3-016-573-01	LEVER (EJECT PREVENTION R)	
406	3-016-564-01	BASE (PINCH LEVER FWD)		HP101	A-2056-681-A	DECK (A) ASSY, HEAD	
407	3-016-565-01	BASE (PINCH LEVER REV)		HRPE101A	2056-682-A	DECK (B) ASSY, HEAD	
408	3-026-892-01	SPRING (CASSETTE), LEAF					