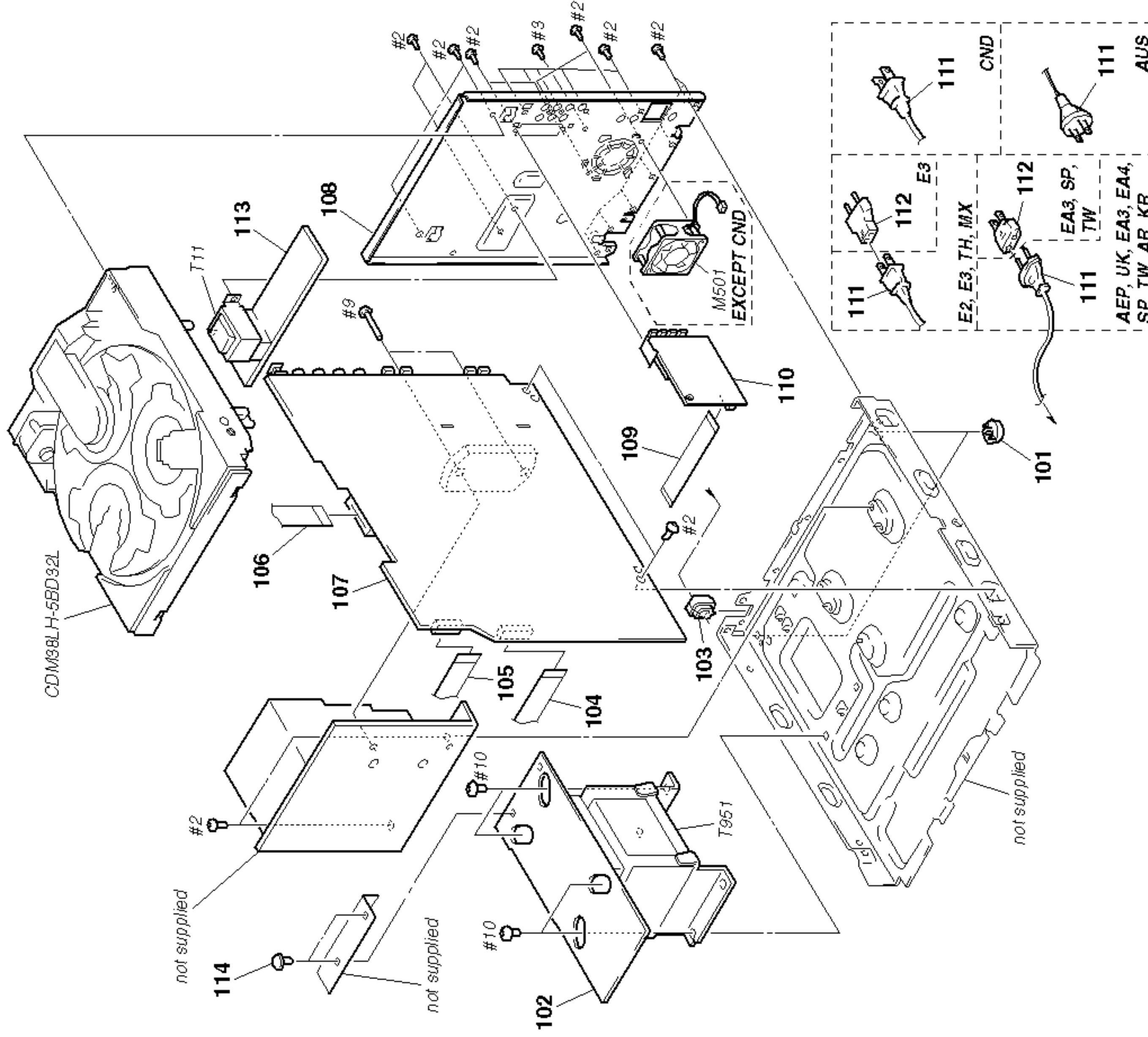


(3) CHASSIS SECTION



Ref. No.	Part No.	Description	Remark
* 101	4-965-822-01	FOOT	
* 102	1-672-369-11	TRANS BOARD	
* 103	3-703-244-00	BUSHING (S) (4516), CORE	
103	3-703-571-11	BUSHING (S) (4516), CORE	(EXCEPT GRX50: E2, E3, TH, MX)
104	1-773-042-11	WIRE (FLAT TYPE) (17 CORE)	(GRX50: E2, E3, TH, MX)
105	1-773-024-11	WIRE (FLAT TYPE) (15 CORE)	
106	1-783-570-11	WIRE (FLAT TYPE) (19 CORE)	
* 107	A-4417-714-A	MAIN BOARD, COMPLETE	(GRX50: E2, MX, AR)
* 107	A-4417-718-A	MAIN BOARD, COMPLETE	(GRX50: E2, MX, AR)
* 107	A-4417-732-A	MAIN BOARD, COMPLETE	(GRX50: E3, SP, TW)
* 107	A-4417-868-A	MAIN BOARD, COMPLETE (R770/RXD7: AEP)	
* 107	A-4419-729-A	MAIN BOARD, COMPLETE (GRX50: EA3)	
* 107	A-4419-821-A	MAIN BOARD, COMPLETE	
* 108	4-214-442-01	PANEL, BACK (GRX50: AR)	(GRX50: EA4, TH, KR, AUS)
* 108	4-214-442-61	PANEL, BACK (GRX50: EA4, TH)	
* 108	4-215-168-01	PANEL, BACK (GRX50: E2)	
* 108	4-215-168-11	PANEL, BACK (RXD7: CND)	
* 108	4-215-168-21	PANEL, BACK (R770: AEP, UK, G, AED)	
* 108	4-215-168-31	PANEL, BACK (RXD7: AEP, CIS)	
* 108	4-215-168-41	PANEL, BACK (R770: CIS)	
* 108	4-215-168-51	PANEL, BACK (RXD7: G, AED)	
* 108	4-215-168-61	PANEL, BACK (GRX50: E3)	
* 108	4-215-168-71	PANEL, BACK (GRX50: EA3)	
* 108	4-215-168-81	PANEL, BACK (GRX50: SP)	
* 108	4-215-168-91	PANEL, BACK (GRX50: MX)	
* 108	4-220-083-01	PANEL, BACK (GRX50: AUS)	
* 108	4-220-083-11	PANEL, BACK (GRX50: TW)	
* 108	4-220-083-21	PANEL, BACK (GRX50: KR)	
109	1-769-977-11	WIRE (FLAT TYPE) (13 CORE)	
109	1-773-009-11	WIRE (FLAT TYPE) (15 CORE)	(GRX50: EXCEPT SP, TW/RXD7: CND)
110	1-233-544-14	TUNER PACK (RXD7: CND)	
110	1-233-545-11	TUNER (FM/AM)	
110	1-233-545-14	TUNER PACK (GRX50: E2, MX)	(GRX50: EA4, TH, AR, KR, AUS)
110	1-233-546-11	TUNER (FM/MW/SW)	
110	1-693-443-11	TUNER (FM/AM) (R770: AEP/RXD7: AEP, UK)	(GRX50: E3, EA3, SP, TW)
Δ111	1-575-651-11	CORD, POWER (R770: AEP/RXD7: AEP, UK)	GRX50: EA3, EA4, SP, TW, AR)
Δ111	1-575-653-11	CORD, POWER (GRX50: E2, E3, TH, MX)	
Δ111	1-690-608-11	CORD, POWER (GRX50: AUS)	
Δ111	1-690-609-21	CORD, POWER (RXD7: CND)	
Δ111	1-769-079-21	CORD, POWER (GRX50: KR)	
Δ112	1-569-007-11	ADAPTOR, CONVERSION 2P (GRX50: E3)	
Δ112	1-569-008-21	ADAPTOR, CONVERSION 2P (GRX50: EA3, SP, TW)	
* 113	A-4417-729-A	SUB TRANS BOARD, COMPLETE (RXD7: CND)	
* 113	A-4419-030-A	SUB TRANS BOARD, COMPLETE (R770/RXD7: AEP)	
114	4-812-134-11	RIVET (DIA. 3.5), NYLON (R770/RXD7: AEP)	
M501	1-698-792-11	FAN, DC (EXCEPT RXD7: CND)	
Δ T11	1-433-587-11	TRANSFORMER, POWER (RXD7: CND)	
Δ T11	1-433-588-11	TRANSFORMER, POWER (R770/RXD7: AEP)	
Δ T951	1-433-563-11	TRANSFORMER, POWER (RXD7: CND)	
Δ T951	1-433-564-11	TRANSFORMER, POWER (R770/RXD7: AEP)	
Δ T951	1-433-565-11	TRANSFORMER, POWER (GRX50)	

The components identified by mark Δ or dotted line with mark Δ are critical for safety. Replace only with part number specified.

Les composants identifiés par une marque Δ ou des lignes en pointillés avec une marque Δ sont critiques pour la sécurité. Ne les remplacer que par une pièce portant le numéro spécifié.