

## SECTION 4 EXPLODED VIEWS

**NOTE:**

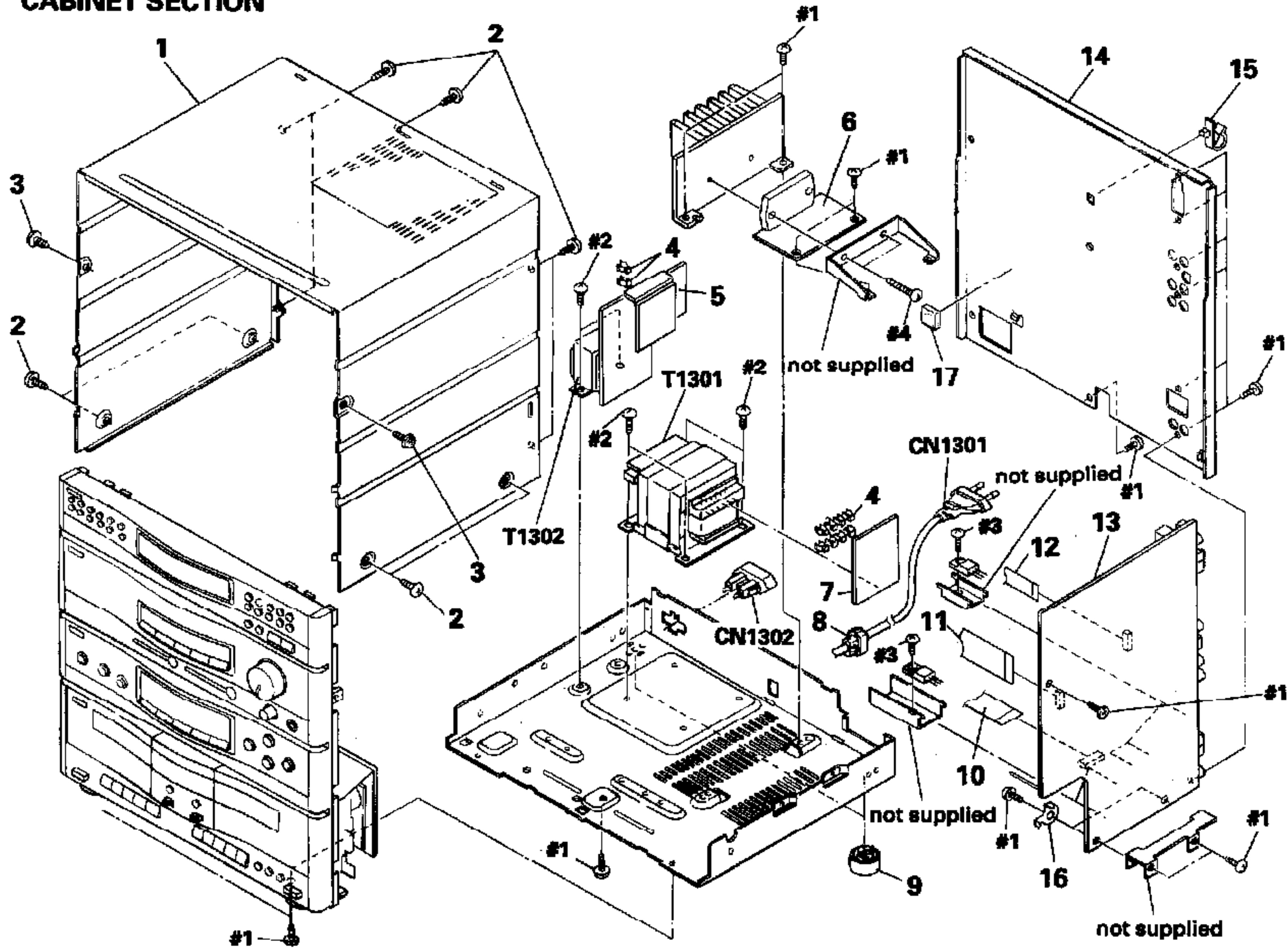
- -XX, -X mean standardized parts, so they may have some differences from the original one.
- Color Indication of Appearance Parts  
Example:  
KNOB, BALANCE (WHITE)... (RED)  
                  ↑          ↑  
          Parts color  Cabinet's color

- Items marked "\*" are not stocked since they are seldom required for routine service. Some delay should be anticipated when ordering these items.
- The mechanical parts with no reference number in the exploded views are not supplied.
- Hardware (# mark) list is given in the last of this parts list.

The components identified by mark  $\Delta$  or dotted line with mark  $\Delta$  are critical for safety.  
Replace only with part number specified.

- G : Germany Model
- IT : Italian Model
- EE : East European Model

### 4-1. CABINET SECTION



Ref. No.	Part No.	Description	Remarks	Ref. No.	Part No.	Description	Remarks
* 1	4-943-170-11	CASE (AEP, UK, G, EE)		* 13	A-4347-612-A	MAIN BOARD, COMPLETE (EE)	
* 1	4-943-170-52	CASE (IT)		* 14	4-948-288-01	PANEL, BACK (UK)	
2	4-929-973-01	SCREW (CASE, 3 POINT)		* 14	4-948-288-11	PANEL, BACK (AEP)	
3	3-363-099-01	SCREW (CASE +3X8 TP2)		* 14	4-948-288-21	PANEL, BACK (AEP)	
4	1-533-217-31	HOLDER, FUSE		* 14	4-948-288-31	PANEL, BACK (G)	
* 5	1-638-298-11	POWER BOARD		* 14	4-948-288-41	PANEL, BACK (IT)	
				* 14	4-948-288-51	PANEL, BACK (EE)	
* 6	A-4347-231-A	POWER AMP BOARD, COMPLETE (AEP, UK, EE)		* 15	4-949-235-01	HOOK	
* 6	A-4347-370-A	POWER AMP BOARD, COMPLETE (G, IT)		* 16	4-942-204-01	PLATE, GROUND	
* 7	1-638-299-11	FUSE BOARD		* 17	3-339-466-01	SPACER (HA)	
* 8	3-703-244-00	BUSHING (2104), CORD					
9	X-4941-228-1	FOOT ASSY		$\Delta$ CN1301	1-575-651-61	CORD, POWER (AEP, G, IT, EE1)	
* 10	1-690-948-11	WIRE (FLAT TYPE) (19 CORE)		$\Delta$ CN1301	1-575-652-21	CORD, POWER (UK)	
11	1-590-577-11	WIRE, FLAT TYPE (17 CORE)		$\Delta$ CN1302	1-526-751-00	OUTLET, AC (UK)	
12	1-590-576-11	WIRE, FLAT TYPE (11 CORE)		$\Delta$ CN1302	1-526-794-11	OUTLET, AC (AEP, G, IT, EE)	
* 13	A-4347-228-A	MAIN BOARD, COMPLETE (AEP, UK)		$\Delta$ T1301	1-450-787-11	TRANSFORMER, POWER	
* 13	A-4347-367-A	MAIN BOARD, COMPLETE (G, IT)		$\Delta$ T1302	1-450-397-21	TRANSFORMER, POWER	