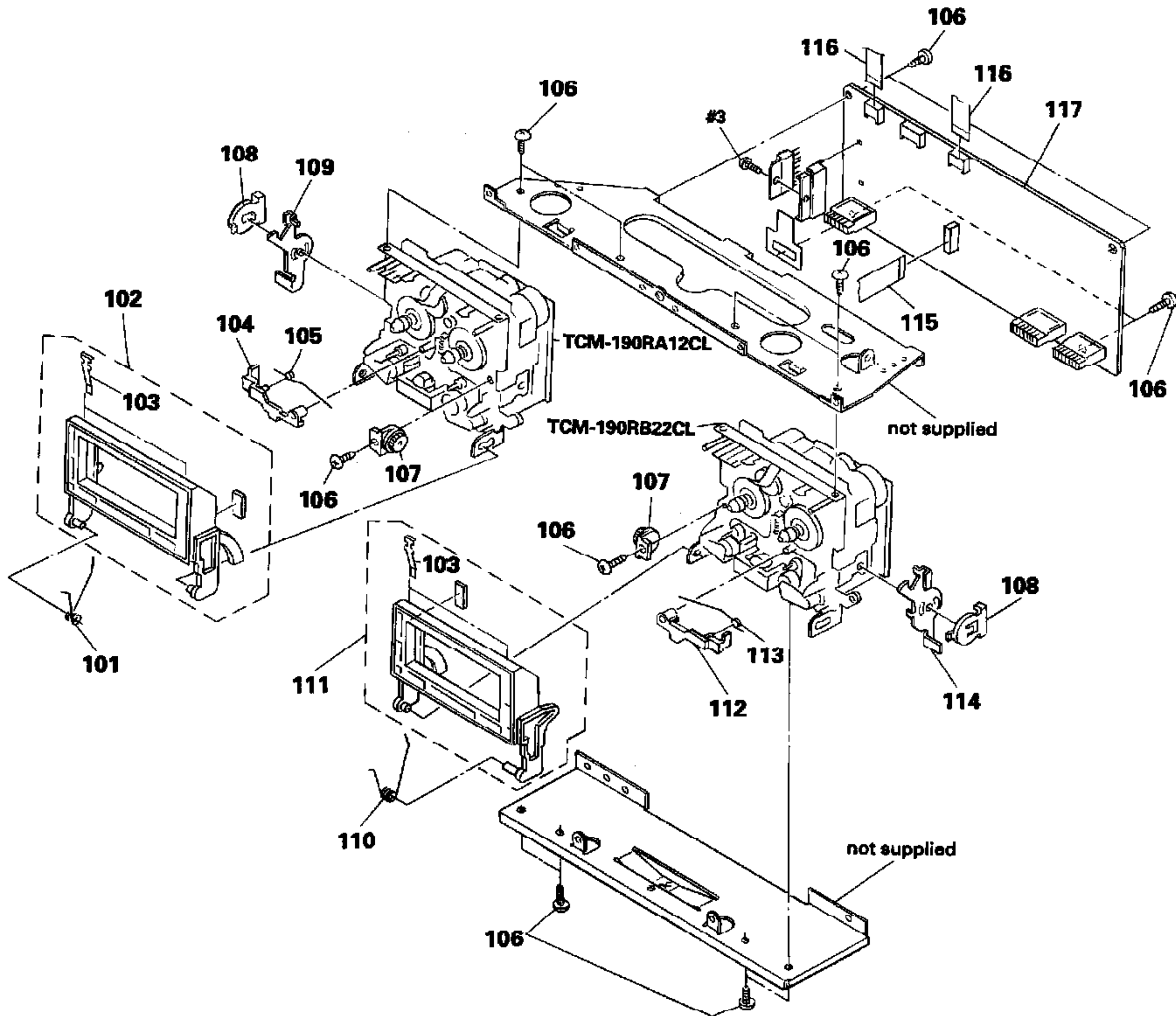


4-3. MECHANISM SECTION 1

(TCM-190RA12CL  
TCM-190RB22CL)



Ref. No.	Part No.	Description	Remarks	Ref. No.	Part No.	Description	Remarks
101	3-354-959-01	SPRING (LOADING L), TORSION		110	3-354-960-01	SPRING (LOADING R), TORSION	
102	A-4325-163-A	HOLDER (L) ASSY, CASSETTE		111	A-4325-164-A	HOLDER (R) ASSY, CASSETTE	
103	3-308-823-11	SPRING		112	3-354-956-01	LEVER (EJ SAFTY LEVER R)	
104	3-354-955-01	LEVER (EJ SAFTY LEVER L)		113	3-354-962-01	SPRING (EJ SAFTY SPRING R)	
105	3-354-961-01	SPRING (EJ SAFTY SPRING L)		* 114	3-354-954-01	LEVER (LOCK LEVER R)	
106	4-928-635-01	SCREW, +BV (2.6X8) TAPPING		115	1-590-459-11	WIRE, FLAT TYPE (11 CORE)	
107	3-354-963-01	DAMPER		116	1-590-574-11	WIRE, FLAT TYPE (7 CORE)	
108	3-354-957-01	JOINT (LOCK LEVER)		* 117	A-4347-227-A	TC SIGNAL BOARD, COMPLETE	
* 109	3-354-953-01	LEVER (LOCK LEVER L)					