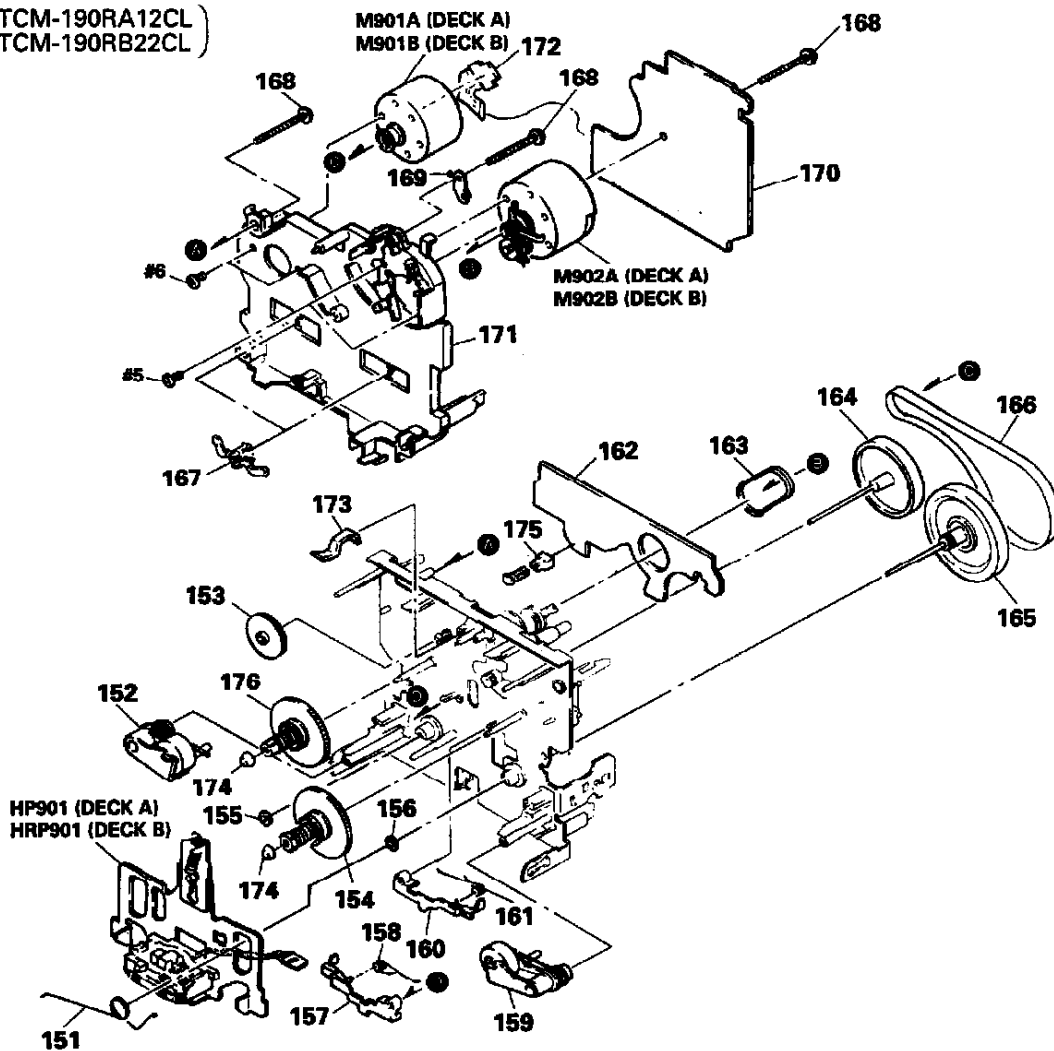


4-4. MECHANISM SECTION 2

(TCM-190RA12CL)  
(TCM-190RB22CL)



Ref. No.	Part No.	Description	Remarks	Ref. No.	Part No.	Description	Remarks
151	3-359-455-01	SPRING, TORSION		167	3-575-321-00	RETAINER, THRUST, CAPSTAN	
152	X-3359-409-1	LEVER (PINCH LEVER REV) ASSY		168	3-359-414-01	SCREW (+PTPWH 2X23)	
153	3-359-424-01	GEAR (REV GEAR)		169	3-359-450-01	PLATE, GROUND	
154	X-3359-404-1	TABLE ASSY, REEL		* 170	A-2006-623-A	AUDIO BOARD, COMPLETE (DECK A)	
155	3-356-714-01	WASHER		* 170	A-2006-624-A	AUDIO BOARD, COMPLETE (DECK B)	
156	3 356 713 01	WASHER		* 171	3-359-436-11	BASE (THRUST RETAINER), FITTING	
157	3-354-956-01	LEVER (EJ SAFTY LEVER R)		172	1-638-983-11	PC BOARD, MOTOR FLEXIBLE	
158	3-354-962-01	SPRING (EJ SAFTY SPRING R)		173	3-359-430-01	SPRING (CASSETTE RETAINER), LEAF	
159	X-3359-408-1	LEVER (PINCH LEVER FWD) ASSY		174	3-362-308-01	CAP (REEL)	
160	3-354-955-01	LEVER (EJ SAFTY LEVER L)		175	3-343-419-01	HOLDER (S SENSER A)	
161	3-354-961-01	SPRING (EJ SAFTY SPRING L)		176	X-3362-078-1	TABLE ASSY (B), REEL	
* 162	1-638-020-11	LEAF SW BOARD (DECK A)		* HP901	A-2003-757-A	BASE ASSY, HEAD (DECK A)	
* 162	1-638-020-11	LEAF SW BOARD (DECK B)		HRP901	A-2003-930-A	BASE ASSY, HEAD (DECK B)	
163	3-359-466-01	BELT (FR), SQUARE		M901A	X-3359-417-1	MOTOR ASSY, CAPSTAN (DECK A)	
164	X-3359-410-1	FLYWHEEL (REV) ASSY		M901B	X-3359-417-1	MOTOR ASSY, CAPSTAN (DECK B)	
165	X-3364-554-1	FLYWHEEL (FWD) ASSY		M902A	X-3363-501-1	MOTOR ASSY, REEL (DECK A)	
166	3-359-417-01	BELT (FLAT), CAPSTAN		M902B	X-3363-501-1	MOTOR ASSY, REEL (DECK B)	