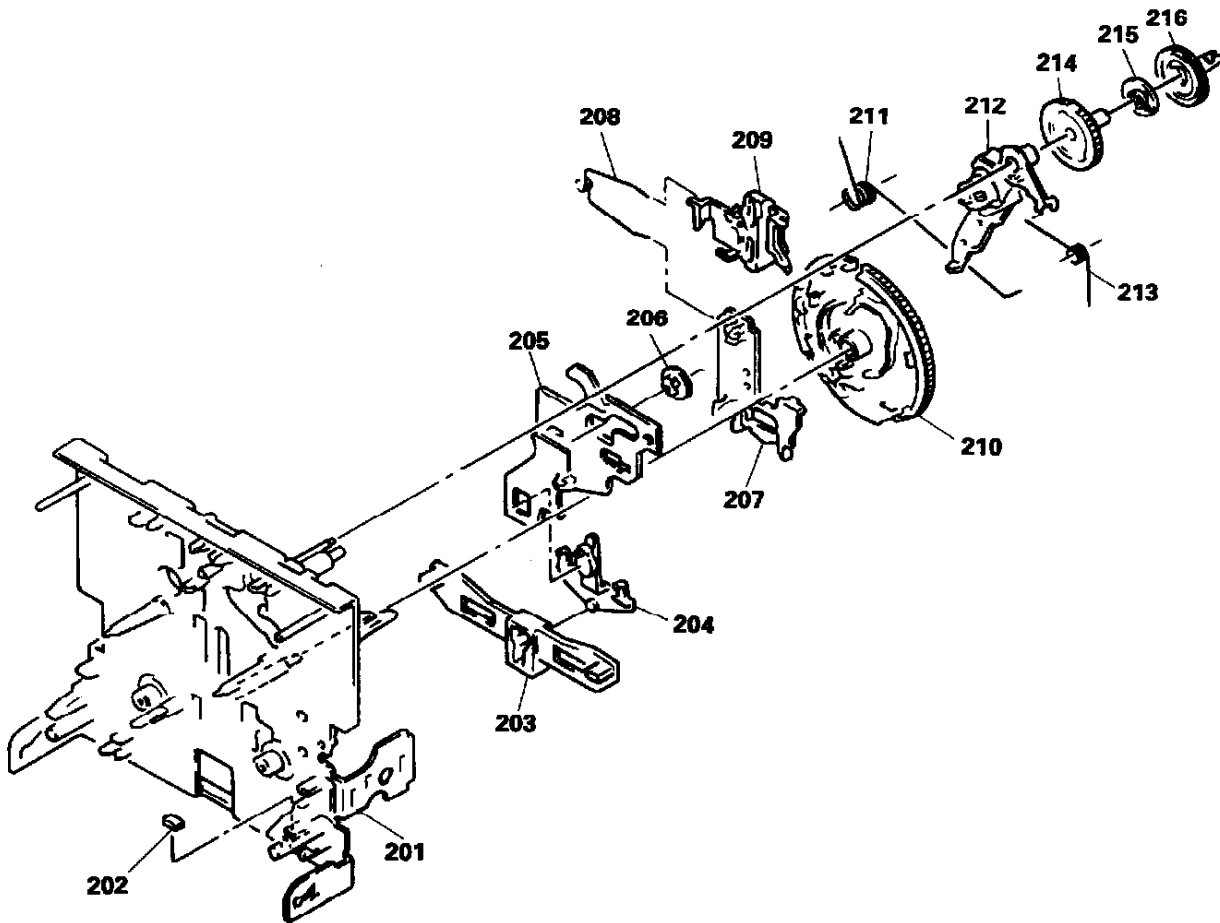


4-5. MECHANISM SECTION 3

(TCM-190RA12CL)
(TCM-190RB22CL)



Ref. No.	Part No.	Description	Remarks	Ref. No.	Part No.	Description	Remarks
201	X-3359-415-1	BASE ASSY, MECHANICAL		209	3-359-429-01	SLIDER (BRAKE PLATE)	
202	3-359-469-01	SPACER		210	3-359-420-01	GEAR (CAM GEAR)	
* 203	3-359-425-01	SLIDER (REVERSE SLIDER)		211	3-359-456-01	SPRING (TRIGGER SPRING), TORSION	
204	3-359-426-01	LEVER (REVERSE LEVER)		212	X-3359-405-1	LEVER (FR ARM) ASSY	
* 205	3-359-415-01	SLIDER (TRIGGER SLIDER)		213	3-359-453-01	SPRING (FR ARM), TORSION	
206	3-359-448-01	GEAR (TRIGGER)		214	3-359-419-01	GEAR (FR GEAR)	
* 207	3-359-427-01	SLIDER (LEVERSE SLIDER)		215	3 359 421-01	CLUTCH (REEL DISK)	
208	3-359-454-01	SPRING, TORSION		216	3-359-418-01	PULLEY (FR PULLEY)	