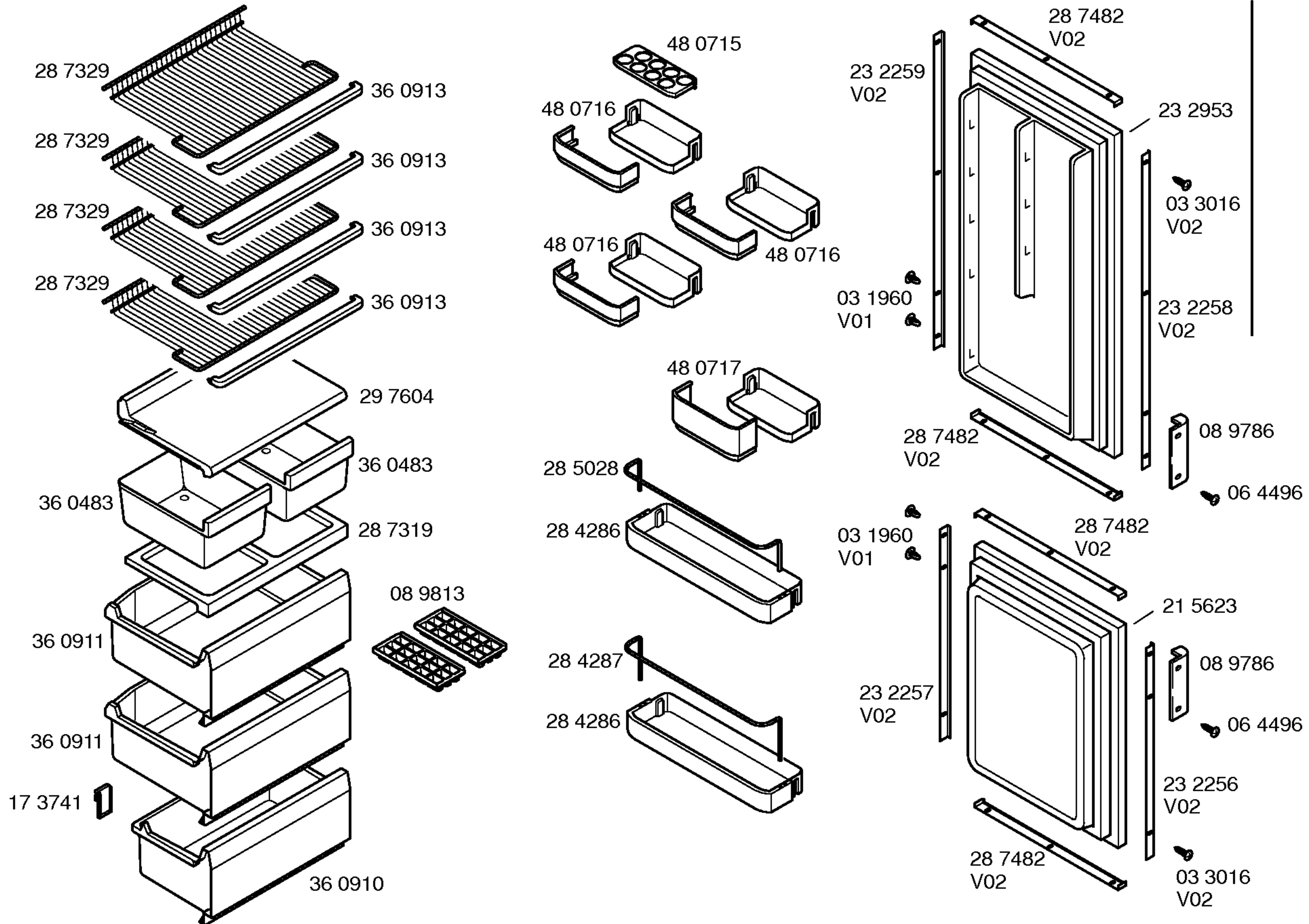
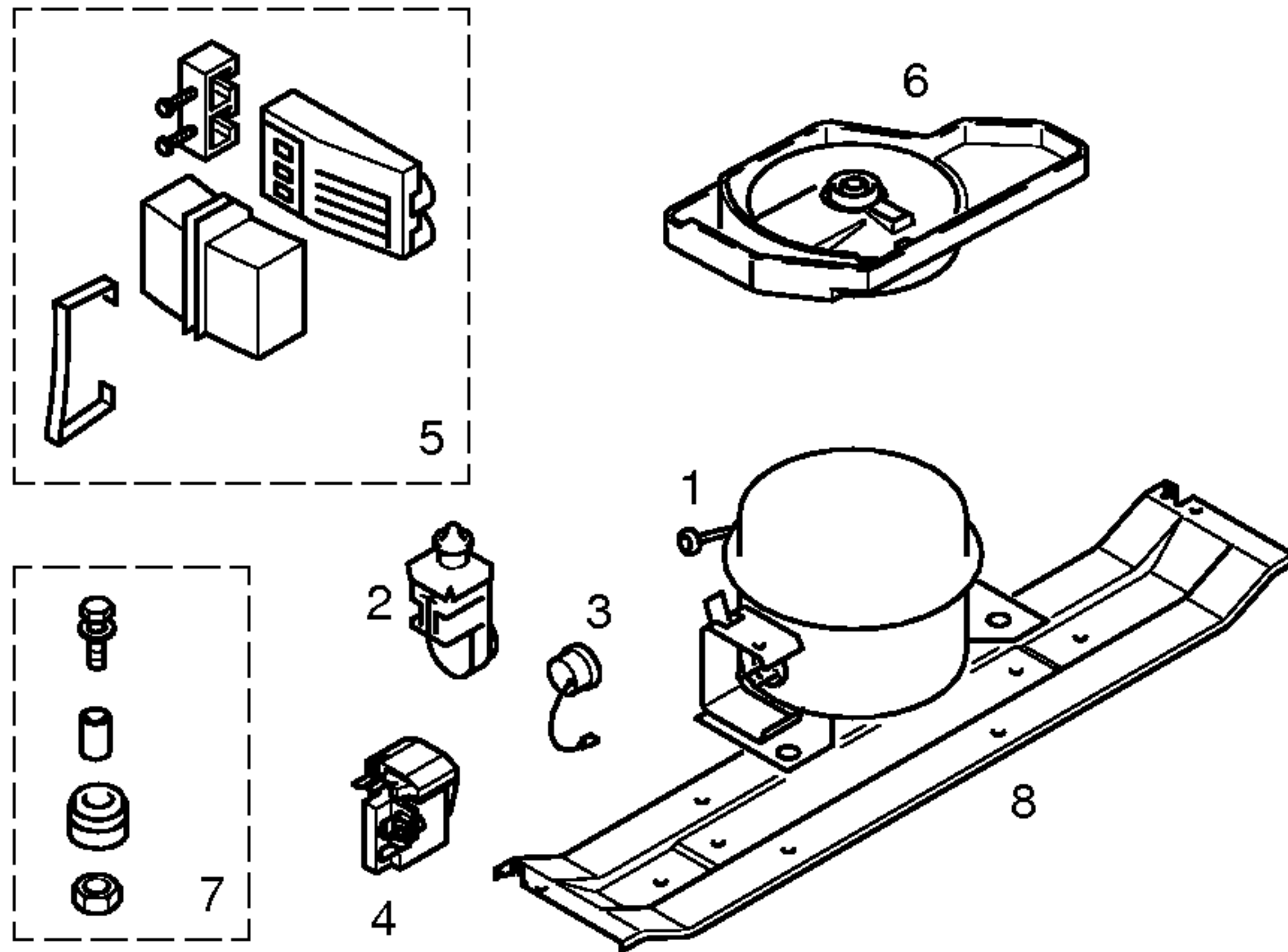


Libro de instrucciones  
52 7931  
(E,P)

- 1) 06 7746
- 2) 03 3058





| Pos. | ****     |           |  |  |
|------|----------|-----------|--|--|
|      | Aspera   | Gold Star |  |  |
|      | BPK1072Y | ND69NAEG  |  |  |
| 1    | 14 2000  | 14 2001   |  |  |
| 2    | 15 4315  |           |  |  |
| 3    | 17 3748  |           |  |  |
| 4    |          | 17 1011   |  |  |
| 5    |          |           |  |  |
| 6    | 26 4123  |           |  |  |
| 7    | 05 0166  | 05 0166   |  |  |
| 8    | 28 8253  | 28 8253   |  |  |
| 9    |          |           |  |  |
| 10   |          |           |  |  |
| 11   |          |           |  |  |
| 12   |          |           |  |  |
| 13   |          |           |  |  |

| TECHNISCHE DATEN/TECHNICAL DATA/DONNEES TECHNIQUES/DATOS TECNICOS                            |                    |                       |    |  |
|--|--------------------|-----------------------|----|--|
|  |                    | ****                  |    |  |
| Verdichter/Compressor/Compresseur/Compresor<br>Typ/Type/Tipo                                 | Aspera<br>BPK1072Y | Gold Star<br>ND69NAEG |    |  |
| Förderleistung/Delivery/Debit/Aspiración l/h   |                    |                       |    |  |
| Anlaufstrom/Starting current/Cour.démarrage/Int.arranq. A                                    | 0,47               |                       |    |  |
| Widerstand/Resistance/Resistencia. Ha/main/prin. Ohm   | 33,10              |                       |    |  |
|  | Hi/aux.            | 38,20                 |    |  |
| Temp.Reyler/Thermostat/Termostato<br>Typ/Type/Tipo   | Ranco<br>K59-L6050 | Ranco<br>K54-L2006    |    |  |
| Reglerstellung/Position/Conexión   | MIN. MAX.          | MIN. MAX.             |    |  |
| Schaltwerte/Switching values/ ..ein/conex.°C   | +6°                | -14° -22°             |    |  |
| Valeurs de commutation/Desconex. ..aus"/descon.  | -11° -28°          | -20° -28°             |    |  |
| (..abtaven' od) ..alarm'   |                    | -10° -18°             |    |  |
| Füllmenge/Fill. quantity/Charge/Carga R600a  | g                  | *                     | *  |  |
| Anschlusswert/Comm. load/Puiss. Connect./Potenc.   | W                  | 79                    | 83 |  |
| Heizung/Heater/Chauflage/Resistenc.descong.<br>Widerstand/Resistance/Resistencia             | Ohm                |                       |    |  |
| Leistung/Power/Puissance/Potencia  | W                  |                       |    |  |
| Ventilador/Blower/Ventilateur/Ventilador<br>Widerstand/Resistance/Resistencia                | Ohm                |                       |    |  |
| Magnetventil/Magnetic valve/Electrovanne/Electrovalvula<br>Widerstand/Resistance/Resistencia | Ohm                |                       |    |  |
| Spannung/Voltage/Tension/Tensión   | V                  |                       |    |  |
| Temp.Reyler/Thermostat/Termostato ambiente para<br>ventilador refrigerador                   |                    |                       |    |  |

\* Siehe Typenschild / See identification plate / Voir plaquette de caractéristiques / Ver plaqueta de características