

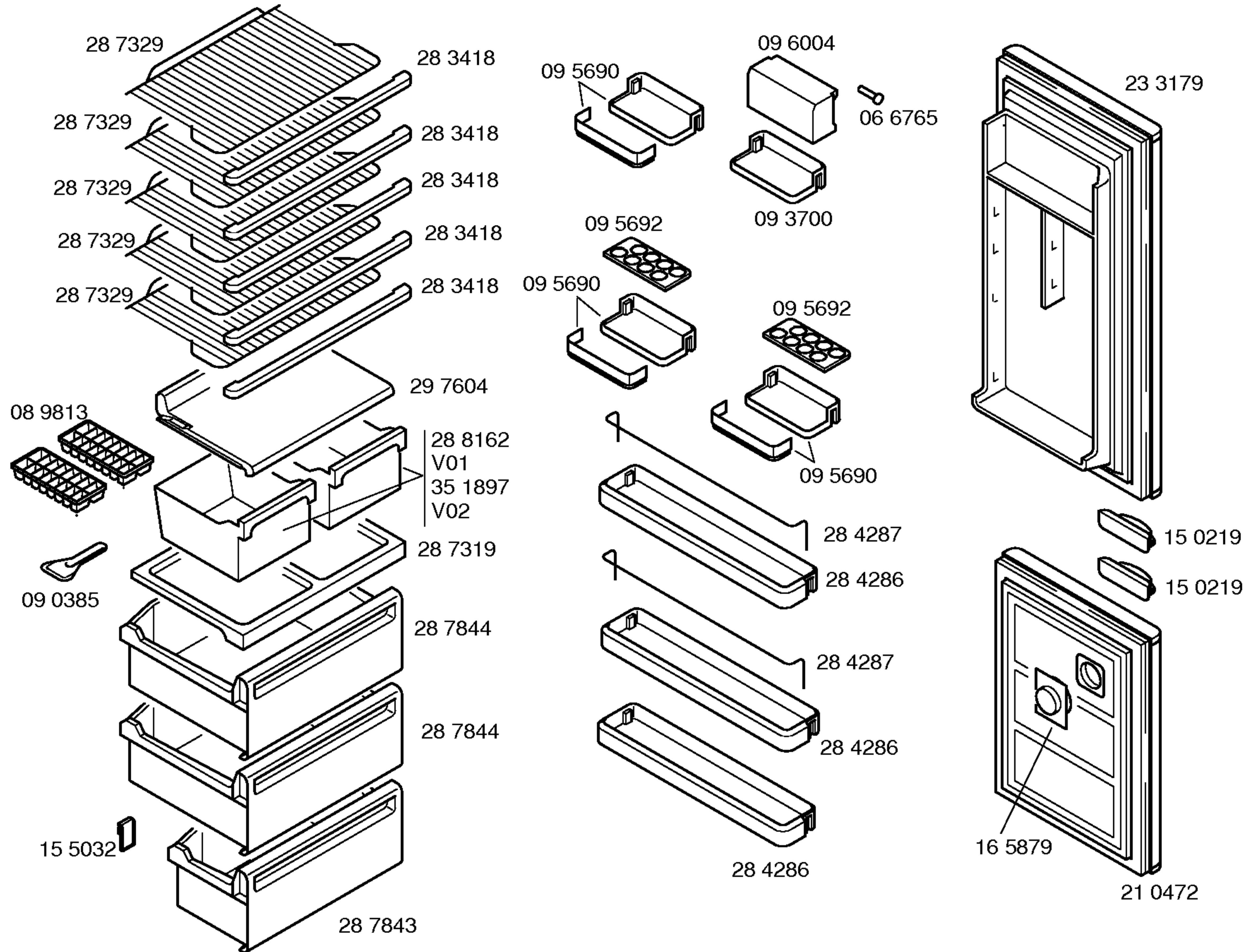
Libro de instrucciones
51 7464
(E,P,GB,,F,NL,GR)

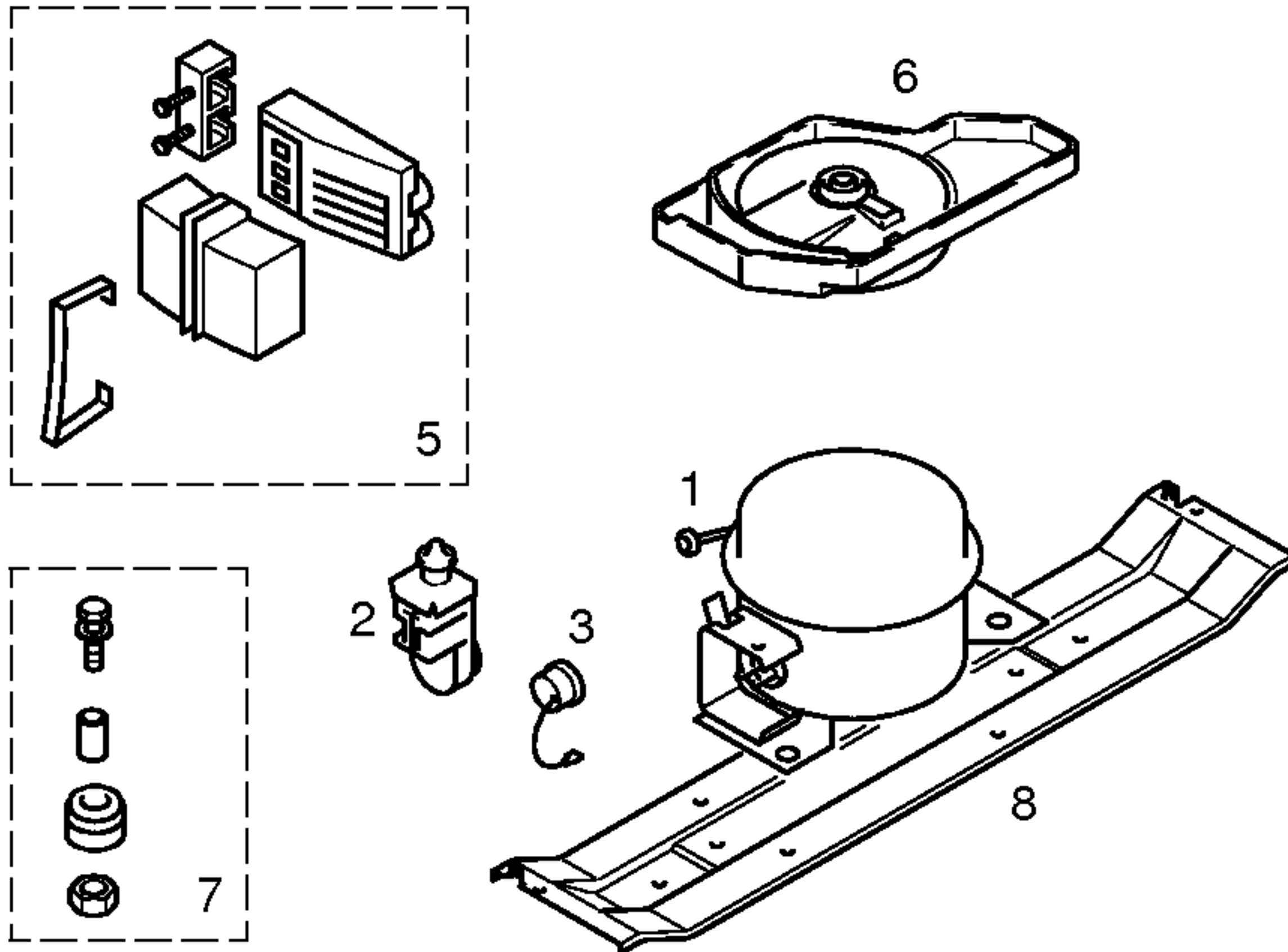
Instrucciones de montaje
51 7929
(D,GB,F,I,NL,E,P,GR)

Instrucciones R600a
51 9240
(D,GB,F,I,NL,DK,N,
S,SF,P,GR,E,TR)

Anexo ind. temperatura
52 0758
(D,GB,F,I,NL,E,SF,S,N,
DK,P,GR)

1) 06 7746
2) 03 3055





| Pos. | **** | | | |
|------|--------------------|--------------------|--|--|
| | Aspera BMP1084Y | Aspera BMP1110Y | | |
| 1 | 14 1723 | 14 1605 | | |
| 2 | 15 4315 | 15 4315 | | |
| 3 | 16 7769 | 16 5230 | | |
| 4 | | | | |
| 5 | | | | |
| 6 | 26 4123 | | | |
| 7 | 05 0166 | 05 0166 | | |
| 8 | 28 0162 | 28 0162 | | |
| 9 | | | | |
| 10 | | | | |
| 11 | | | | |
| 12 | | | | |
| 13 | | | | |

| TECHNISCHE DATEN/TECHNICAL DATA/DONNEES TECHNIQUES/DATOS TECNICOS | | | | |
|--|--|--|----|--|
| | | **** | | |
| Verdichter/Compressor/Compresseur/Compresor Typ/Type/Tipo Förderleistung/Delivery/Debit/Aspiración l/h Anlaufstrom/Starting current/Cour.démarrage/Int.arranq. A Widerstand/Resistance/Resistencia. Ha/main/prin. Ohm Hi/aux. | Aspera BMP1084Y | Aspera BMP1110Y | | |
| Temp.Reyler/Thermostat/Termostato Typ/Type/Tipo Reglerstellung/Position/Conexión Schaltwerte/Switching values/ ..ein/conex.°C Valeurs de commutation/Desconex. ..aus"/descon. (..abtaven' od) ..alarm' | Ranco K59-L6045 MIN. MAX. +6° -14° | Ranco K54-L1941 MIN. MAX. -14° -22° -20° -28° -10° -18° | | |
| Füllmenge/Fill. quantity/Charge/Carga R600a | g | * | * | |
| Anschlusswert/Comm. load/Puiss. Connect./Potenc. | W | 71 | 86 | |
| Heizung/Heater/Chauflage/Resistenc.descong. Widerstand/Resistance/Resistencia Leistung/Power/Puissance/Potencia | Ohm W | | | |
| Ventilador/Blower/Ventilateur/Ventilador Widerstand/Resistance/Resistencia | Ohm | | | |
| Magnetventil/Magnetic valve/Electrovanne/Electrovalvula Widerstand/Resistance/Resistencia Spannung/Voltage/Tension/Tensión | Ohm V | | | |
| Temp.Reyler/Thermostat/Termostato ambiente para ventilador refrigerador | | | | |

* Siehe Typenschild / See identification plate / Voir plaquette de caractéristiques / Ver plaqueta de características