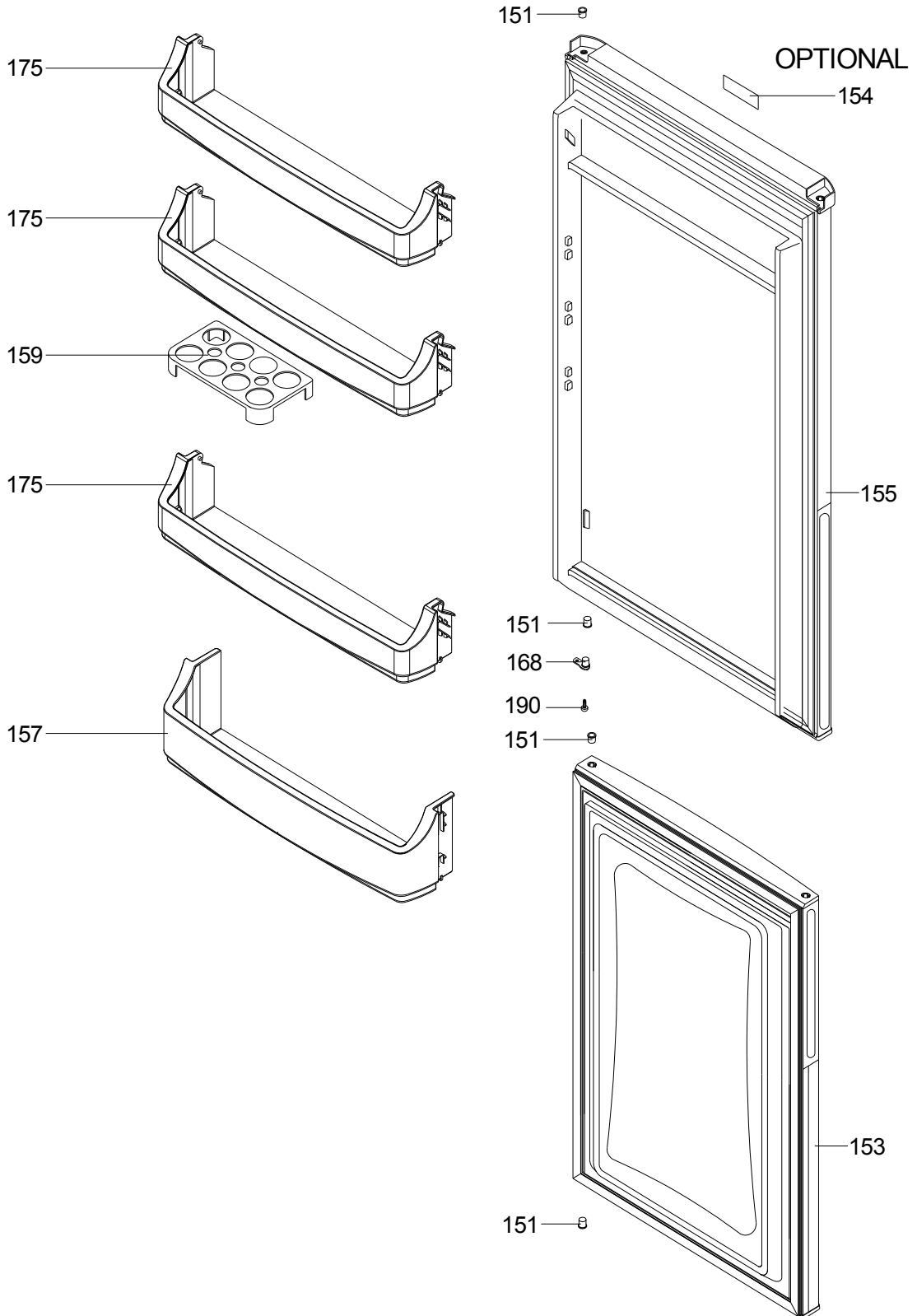


<b>POSITION NUMBER</b>	<b>PART NAME</b>
2	TOP HINGE MEC /2451
7	SCREW M5*14 YSB-F
9	MIDDLE HINGE
13	DOOR SWITCH
14	TUNNEL DRAIN PLUG
15	BOTTOM HINGE
16	ADJUSTABLE FOOT M8X35
18	ICE TRAY
19A	F GLASS TOP SHELF
19B	F GLASS BOTTOM SHELF
21	LAMP THERM. BOX GR/286
22	LED LAMP
23	LAMP HOLDER E-14
27	TERMOSTAT
28	LAMP COVER/140
29	THERM.KNOB
35	CABLE GR/THERM/286
37	R COMPARTMENT GLASS SHELF
38A	R.GLASS SHELF PRF/3951
38B	R.GLASS SHELF BACK TRIM/252
39	CRISPER COVER SHELF
40	TOP CRISPER COVER TRIM/270
41	R.CRISPER GR.
89A	HINGE COVER 2451
89B	HINGE COVER CAP 2451
92	MIDDLE BASK.GR
93	BOTTOM BASK.GR
326	FILTER HOLDER GR ( <i>OPTIONAL</i> )



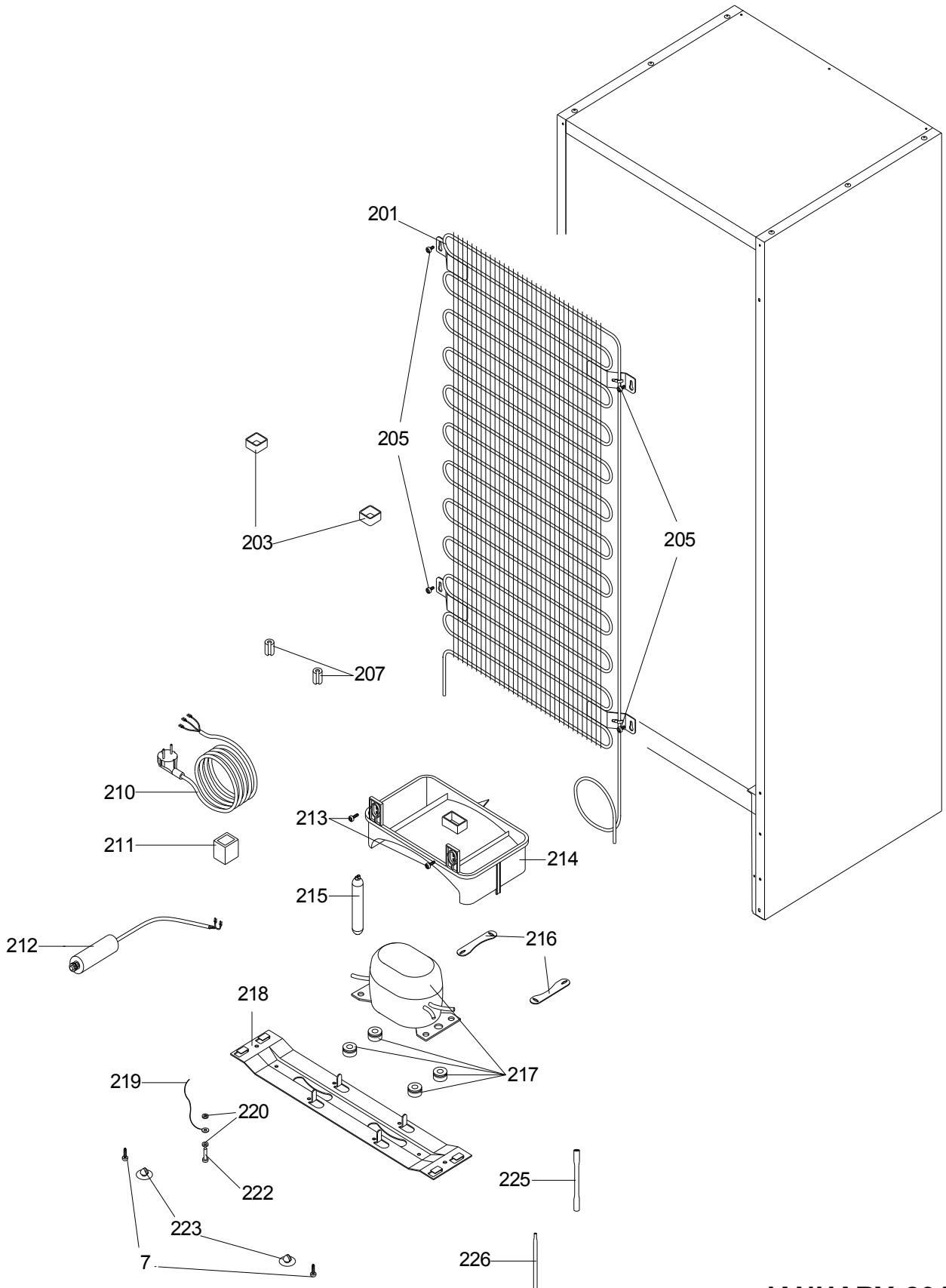
<b>VESTEL</b> WHITE GOODS	<b>VESTEL COMBI - 278</b>	<b>CUSTOMER          SUPPORT</b>
	<b>DOOR ASSY. PARTS LIST</b>	

<b>POSITION          NUMBER</b>	<b>PART NAME</b>
151	BUSHING/345P
153	F DOOR ASSY/278AGE
154	LOGO
155	R DOOR ASSY/278AGE
157	BOTTLE SHELF
159	EGG HOLDER
168	STOPPER COMBI
175	CHEESE BUTTER SHELF
190	SCREW 35*12 YSB-R-C

**ABBREVIATIONS :**

ASSY : ASSEMBLY  
 R : REFRIGERATOR  
 F : FREEZER

**JANUARY 2018**



<b>VESTEL</b> WHITE GOODS	<b>VESTEL COMBI - 278</b>	<b>CUSTOMER          SUPPORT</b>
	<b>UNIT PARTS LIST</b>	

POSITION NUMBER	PART NAME
7	SCREW M5*14 YSB-F
201	MAIN CONDENSER
203	SPACER
205	SCREW ST 4.8*13 YSB-T-C
207	ANTIVIBRATION (CONDANSER)
210	POWER CORD
211	OVER LOAD RELAY
212	CAPACITOR
213	SCREW 4.2*9.5 YSB-C
214	EVAPORATING TRAY
215	DRYER
216	COMP FIXING BRACKET
217	COMPRESSOR
218	COMP BASEMENT/140
219	GROUNDLY WIRE/PGYB
220	NUT M4*3.2 DIN 934 ZNK
222	SCREW M4*16 AKB-F
223	COMP.BASEMENT FOOT/140
225	SERVICE TUBE
226	DRYER VACUUM TUBE

**JANUARY 2018**