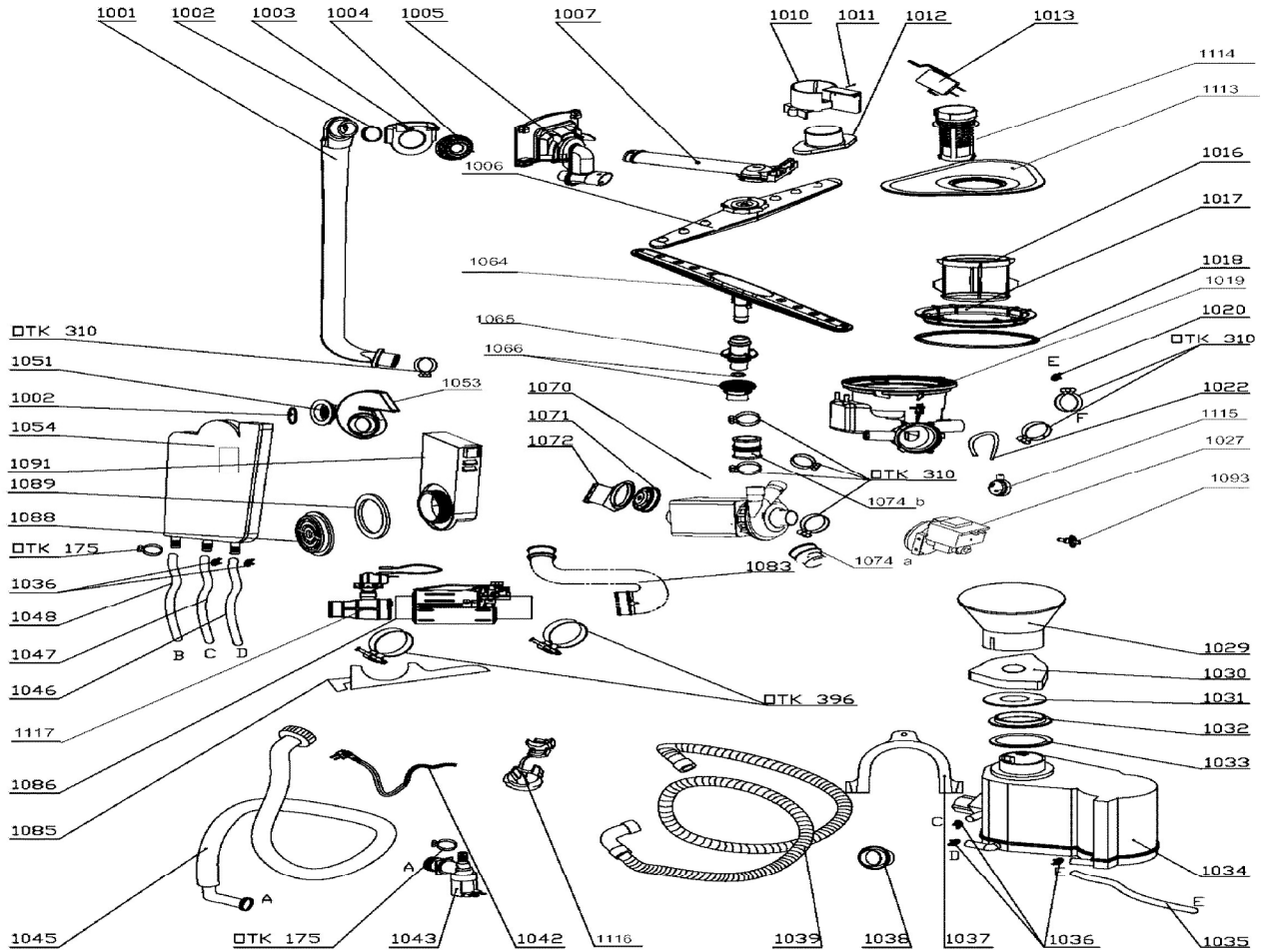


40782140 - DW7 41 FI VR02

ASPERSORES / SPRAYERS - DW7 41 FI VR02 - 1

PLANO EXPLOTADO / EXPLODED VIEW DW7 41 FI VR02

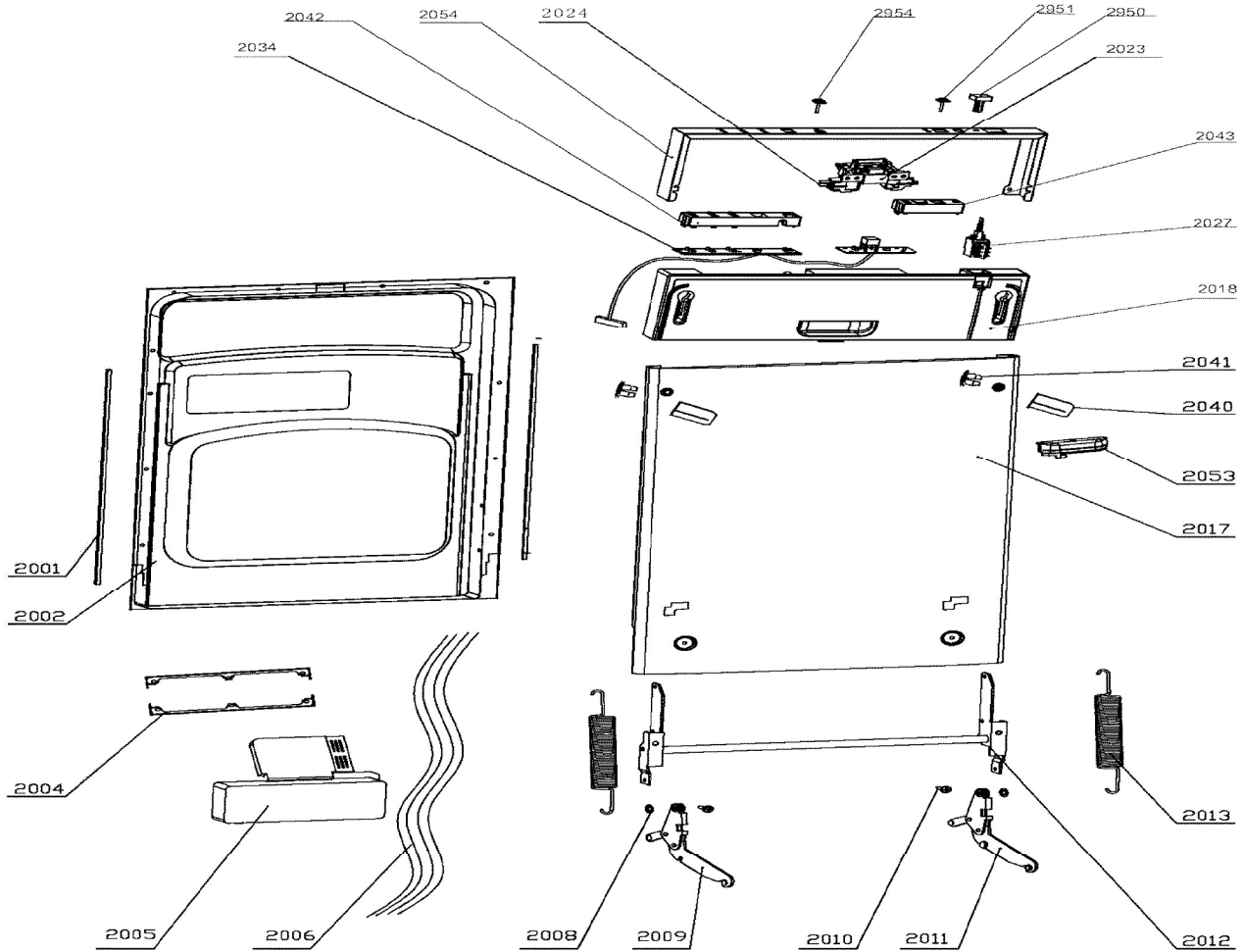
1



teka TEKA INDUSTRIAL, S.A.
SANTANDEZ - ESPAÑA

PUERTA Y PANEL DE MANDOS / DOOR & CONTROL PANEL - DW7 41 FI VR02 - 2

PLANO EXPLOTADO / EXPLODED VIEW DW7 41 FI VR02 2

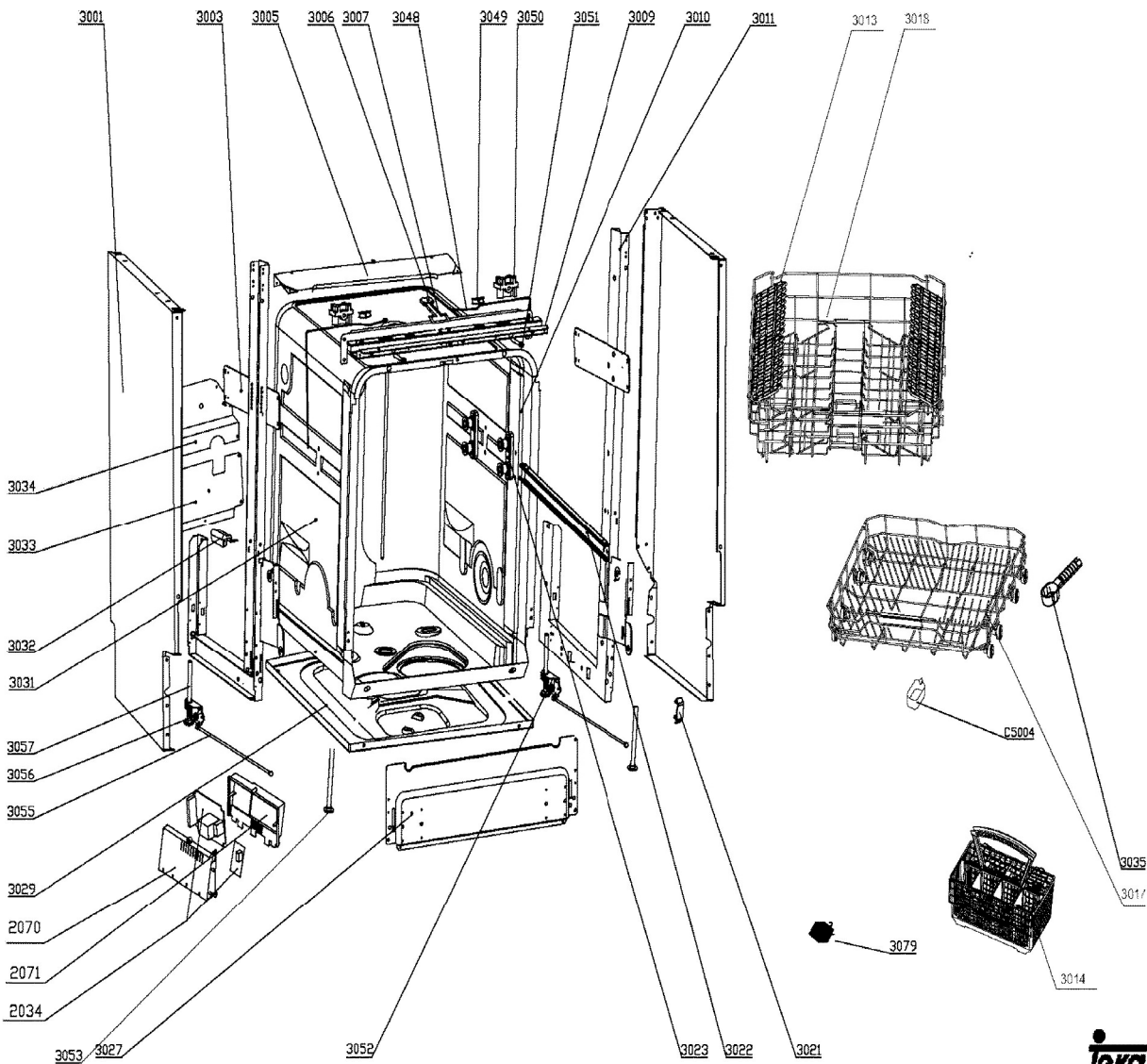


teka TEKA INDUSTRIAL, S.A.
SANTANDEZ - ESPAÑA

CESTOS / BASKETS - DW7 41 FI VR02 - 3

PLANO EXPLOTADO / EXPLODED VIEW DW7 41 FI VR02

3



teka TEKA INDUSTRIAL S.A.
SANTANDER - ESPAÑA