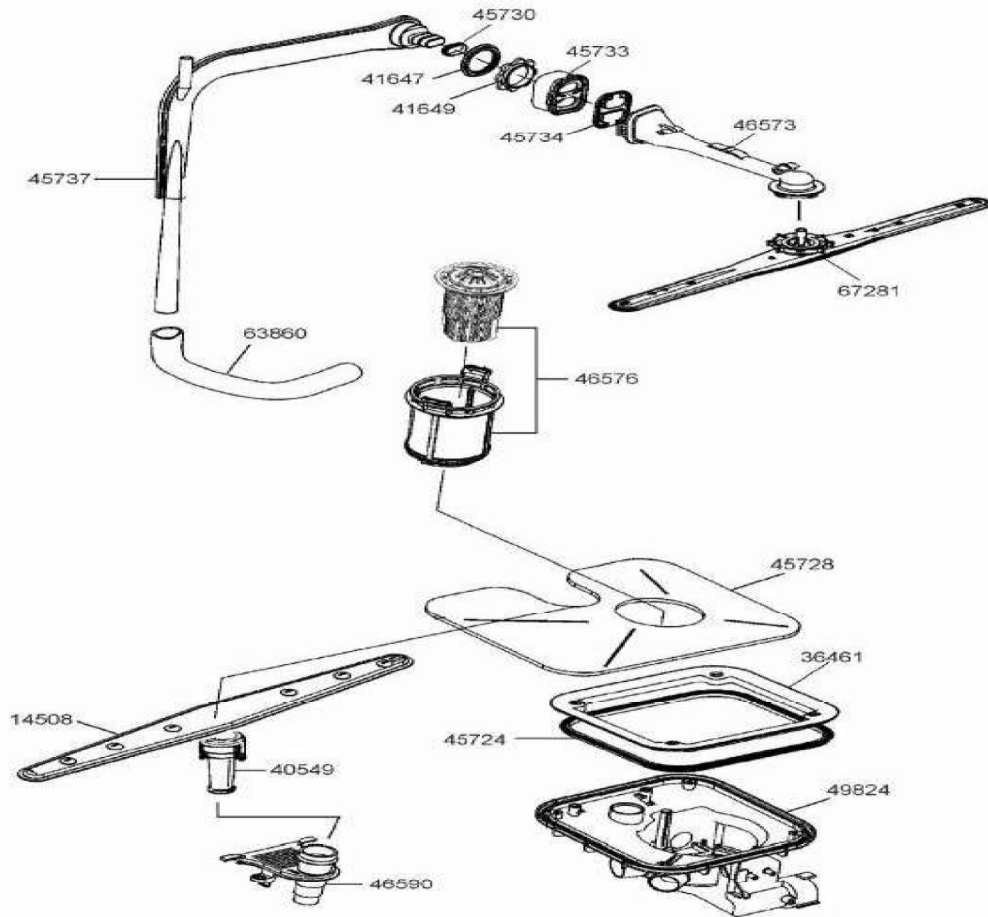


40716072 - DW7 60 S

Aspersores. - DW7 60 S - 01/04

LAVAVAJILLAS / DISHWASHER MOD. DW7-60 S

1 / 4



teka TEKA INDUSTRIAL, S.A.
SANTANDER - ESPAÑA

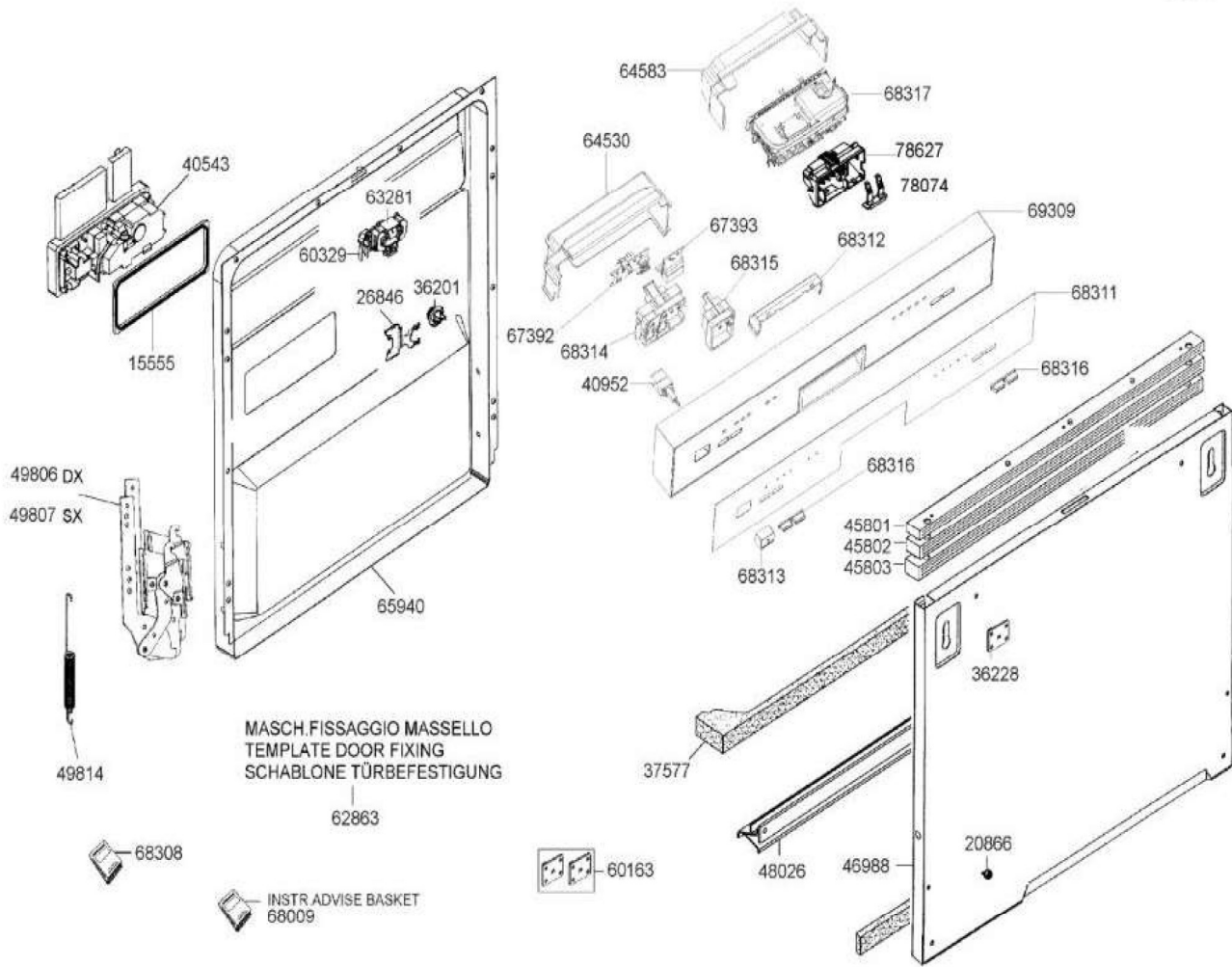
Aspersores. - DW7 60 S - 01/04

Position	Code	Description	Quantity
14508	81713111	LOWER SPRAY ARM	1
36461	81713115	FLANGE	1
40549	81722025	LOWER SPRINKLER HOSE	1
41647	81719037	UPPER SPRAYER GASKET GASKET	1
41649	81722020	UPPER SPRAYER GEAR TDW 80 FI	1
45724	81716450	DRAIN WELL GASKET	1
45728	81716455	STAINLESS STEEL FILTER	1
45730	81716454	PIPE GASKET	1
45733	81722021	RACK DUCT TDW 80 FI	1
45734	81716448	DOUBLE VALVE	1
45737	81716459	UPPER SPRAYER CLOSED PIPE	1
46573	81722022	GRAY RACK DUCT TDW 80 FI	1
46576	81722024	RACK DUCT TDW 80 FI	1
46590	81722026	LOWER SPRAYER SUPPORT	1
49824	81723000	SUMP FOR BLECKM. HEATER LP-790	1
63860	81716970	AL.HOSE UPPER SPRAYER DW7-55 S	1
67281	81724019	UPPER SPRAYER LP7-890	1

Puerta y panel de mandos - DW7 60 S - 02/04

LAVAVAJILLAS / DISHWASHER MOD. DW7-60 S

2 / 4



teka TEKA INDUSTRIAL, S.A.
SANTANDER - ESPAÑA

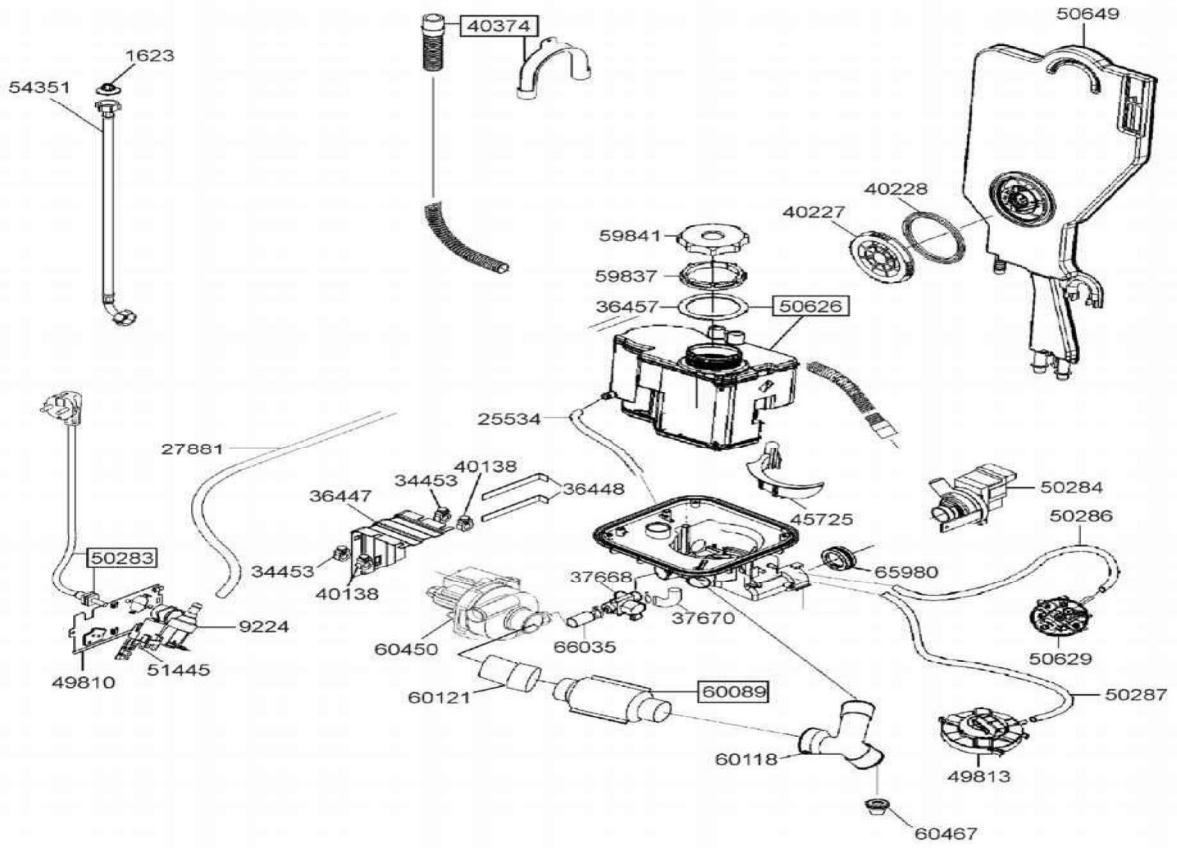
Puerta y panel de mandos - DW7 60 S - 02/04

Position	Code	Description	Quantity
15555	81713125	GASKET	1
20866	81704325	RUBBER SPACER	1
26846	81712148	THERMOST. SUPPORT	1
36201	81716149	TEMPER. FEELER	1
36228	81716249	DOOR UPPER HOOK	1
37577	81716142	DRAIN PROTECTION	1
40543	81722028	SOAP DISPENSER	1
40952	81716962	OPTIONS PUSH-BUTTON STRIP DW7-55 S	1
45801	81717000	FRONT PANEL FILLET (H=5) DW7-60 S	1
45802	81717001	FRONT PANEL FILLET (H=10)	1
45803	81717002	FRONT PANEL FILLET (H=20)	1
46988	81716723	DOOR TDW 60.2 WA	1
48026	81722005	TANK LOWER GASKET TDW-80 FI	1
49806	81716001	RH DOOR HINGE 2 RUBBINGERS DW6 60 S	1
49807	81716002	LH DOOR HINGE 2 RUBBINGERS DW6 60 S	1
49814	81716003	HINGE SPRING DW6 60 S	1
60163	81716211	DECOR DOOR FIXATION DW6-60 ST	1
60329	81723060	DOOR MICROSWITCH LP-790 T	1
62863	81716954	TEMPLATE DW6-60 W.1	1
63281	81716833	DOORLOCK PULLOP. DW7-45 FI	1
64530	81717004	SALT+RINSE AGENT MOD. PROT. DW7-60 S	1
64583	81717005	TIMER MODULE PROT. DW7-60 S	1
65940	81716112	COUNTER DOOR DW6-59 FI S-2005	1
67392	81717006	MODULE OPTIONS DW7-60 S	1
67393	81717007	MODULE PROG.SALT+RINSE AID DW7-60 S	1
68009	81712074	INS.ADVISE BASK LP7-770	1
68308	81717008	INSTRUCTIONS MANUAL DW760S	1
68309	81717009	CONTROL PANEL DW7-60 S	1
68311	81717010	INLAY CONTROL PANEL DW7-60S	1
68312	81717011	HANDLE PROTECTION DW7-60 S	1
68313	81717012	ON-OFF BUTTON DW7-60 S	1
68314	81717070	VISOR OPTION MOD.SS V.LC DW7-60 ST	1
68315	81717014	LED VIEWER SALT+RINSE DW7-60 S	1
68316	81717015	SELECTION PUSH BUTTON DW7-60 S	1
68317	81717016	TIMER DW7-60 S	1
78074	81717222	BUTTON ACTIVATOR	1
78627	81717013	VISOR OPTION MOD.SS V.LC	1

Circuito hidráulico - DW7 60 S - 03/04

LAVAVAJILLAS / DISHWASHER MOD. DW7-60 S

3 / 4



teka TEKA INDUSTRIAL, S.A.
SANTANDER - ESPAÑA

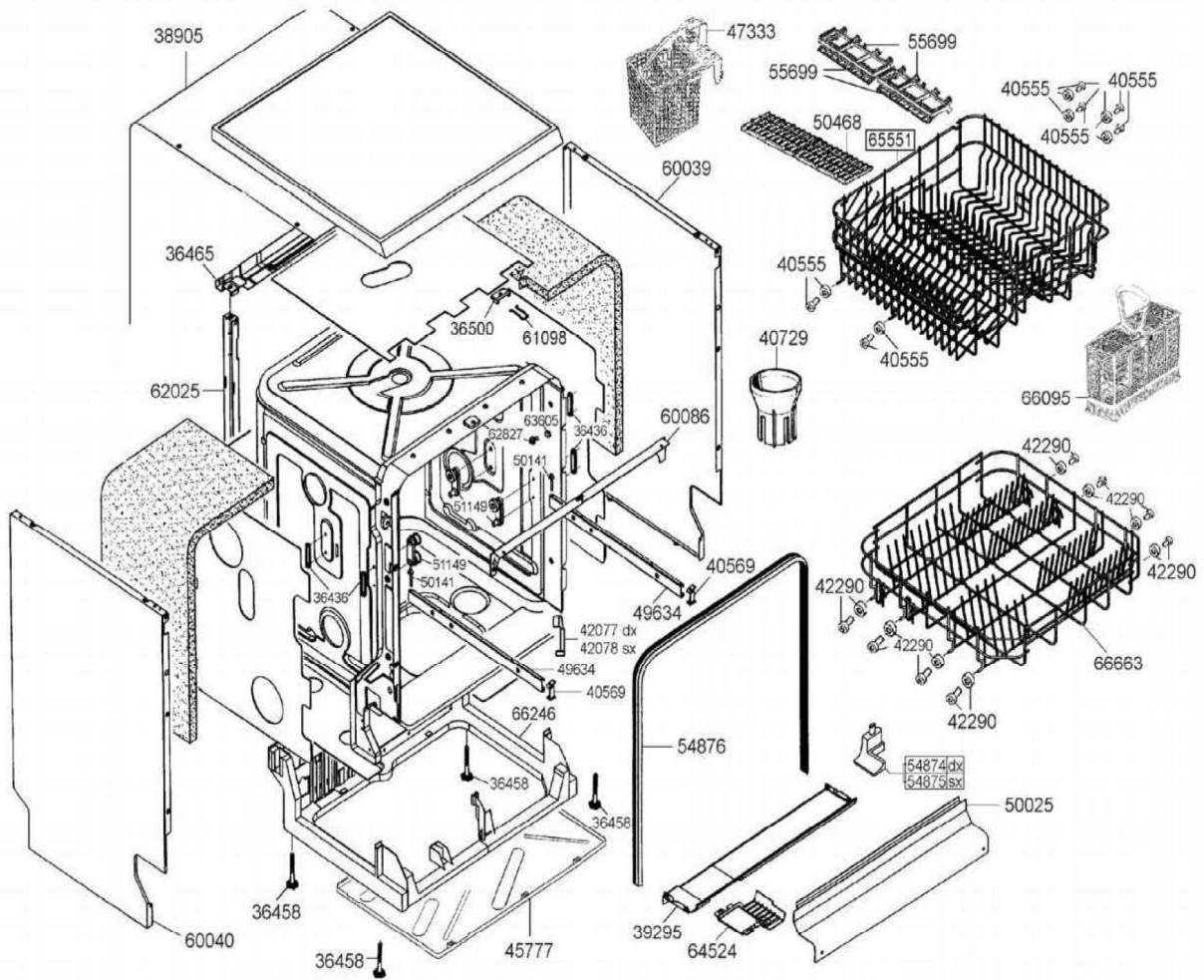
Circuito hidráulico - DW7 60 S - 03/04

Position	Code	Description	Quantity
25534	81723014	HOSE LP-790	1
27881	81713171	VALVE HOSE	1
34453	81713191	MOTOR RUBBER	1
36447	81713192	MOTOR CHANG. BRACKET	1
36448	81713190	KEY-BAR	1
36457	81713182	JOINT ANNEAU	1
37668	81716692	ALTERNATE WASHING WATER VALVE	1
37670	81716201	HOSE TO OVERFLOW WELL	1
40138	81716669	MOTOR RUBBER LONGER VERSION	1
40227	81723016	LOAD RING STX20 LP-790	1
40228	81719005	AIR BREAK GASKET	1
40374	81713075	81711681	1
45725	81716458	DRAIN WELL SUCTION COVERING	1
49810	81712008	WATERINLET VALVE SUPP. BAR LP6 770	1
49813	81716006	SAFETY ASS.+BALLCOCK DW6-59 FI	1
50283	81723026	CABLE+CABLE-HOLDER LP-790	1
50284	81716007	DRAIN PUMP DW6-59 FI	1
50286	81723017	PRESSURE SWITCH PIPE LP-790	1
50287	81723018	AQUASTOP PIPE LP-790	1
50626	81723024	WATER SOFTENER LP-790	1
50629	81723019	PRESS. SWITCH 2001 90/74 LP-790	1
50649	81723015	AIR-BREAK LP-790	1
51445	81723028	ANTI-NOISE FILTER LP-790	1
54351	81717017	INLET HOSE REFLEX DW7-60 S	1
59837	81716854	RING NUT SOFT.AWECO GREY	1
59841	81716855	SALT CAP 2001 GREY AWECO	1
60089	81716828	HEATING ELEMENT DW7-45 FI	1
60118	81724007	HEATER-SUMP HOSE LP7-890	1
60121	81723058	SUCTION HOSE HEAT-PUMP LP-790 T	1
60450	81716834	WASHING PUMP DW7-45 FI	1
60467	81724008	TURBIDITY SENSOR LP7-890	1
65980	81716978	GASKET NEW	1
66035	81712063	PUMP-VALVE HOSE LP7-770	1
9224	81716958	WATER VALVE DW7-55 S	1

Cuerpo y cestas - DW7 60 S - 04/04

LAVAVAJILLAS / DISHWASHER MOD. DW7-60 S

4 / 4



Cuerpo y cestas - DW7 60 S - 04/04

Position	Code	Description	Quantity
36436	81713220	WHEEL SUPP. RENFORCE	1
36458	81716131	ADJUST. FEET	1
36465	81713212	UPPER CROSSPIECE	1
36500	81713219	HOOK BLOCK	1
38905	81711685	COVER	1
39295	81722043	FRONT CROSSPIECE TDW 80 FI	1
40555	81722037	UPPER BASKET WHEEL	1
40569	81722032	PIN	1
40729	81722040	SALT FUNNEL	1
42077	81719049	RIGHT PROTECTION	1
42078	81719050	LEFT PROTECTION	1
42290	81722041	LOWER BASKET WHEEL TDW 80 FI	1
45777	81716447	TRAY FOR WATERSTOP	1
47333	81722044	CUTLERY HOLDER TDW 80 FI	1
49634	81723036	UPPER RACK SLIDES LP-790	1
50025	81716026	PROTECTION F.ELECT.EQUIP. DW6-60 FI	1
50141	81723035	BASKET RAIL TERMINAL PART LP-790	1
50468	81723029	FLAP LP-790	1
51149	81723033	BASKET GUIDES SUPPORT PIN LP-790	1
54874	81716056	SPRINKLE PROT.NEW RIGHT DW6-59 FI VR02	1
54875	81716057	SPRINKLE PROT. NEW LEFT DW6-59 FI VR02	1
54876	81716058	TUB GASKET SHORT VERSION DW6-59 FI VR02	1
55699	81716851	CUTLERY FLAP DW7-60 FI	1
60039	81716825	LEFT SIDE PANEL DW7-45 FI	1
60040	81716826	RIGHT SIDE PANEL DW7-45 FI	1
60086	81716210	TUB FILLET GALVAN. DW6-60 ST	1
61098	81799047	LOCKING LATCH TLV-60.3	1
62025	81799049	TANK SUPPORT BACK 60CM TLV-60.3	1
62827	81716845	DOOR CENTRAT. CLIP CAP DW7-45 FI	1
63605	81716864	DOOR CENTRAT. CLIP DW7-60 FI	1
64524	81722048	HARNESS DOOR PROTECTOR DW7-80 FI	1
65551	81716977	UPPER BASKET DW7-55 S	1
66095	81716979	CUTLERY BASKET DW7-55 S	1
66246	81716980	BASE ASS. DW7-55 S	1
66663	81716981	LOWER BASKET DW7-55 S	1