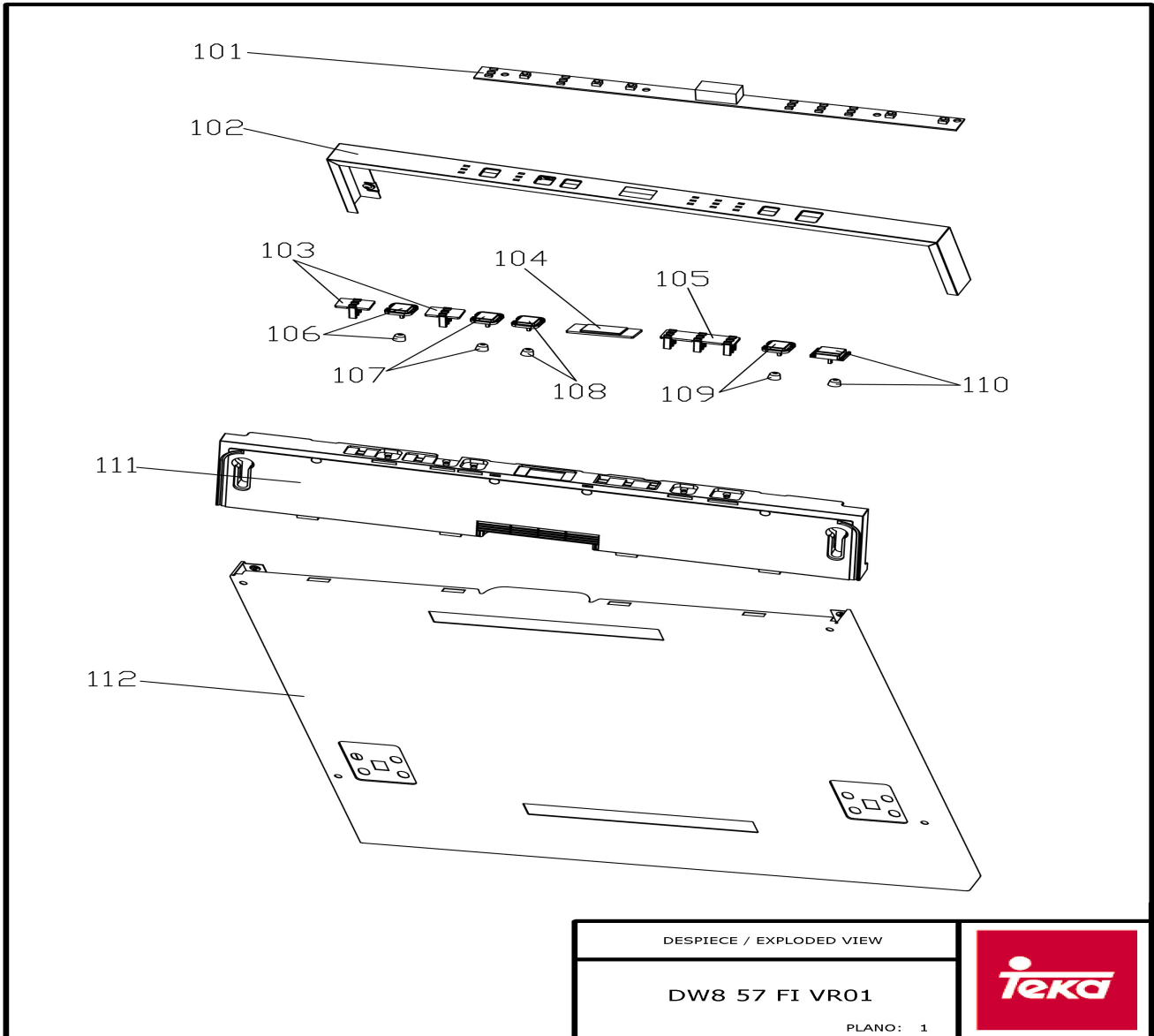


40782125 - DW8 57 FI VR01

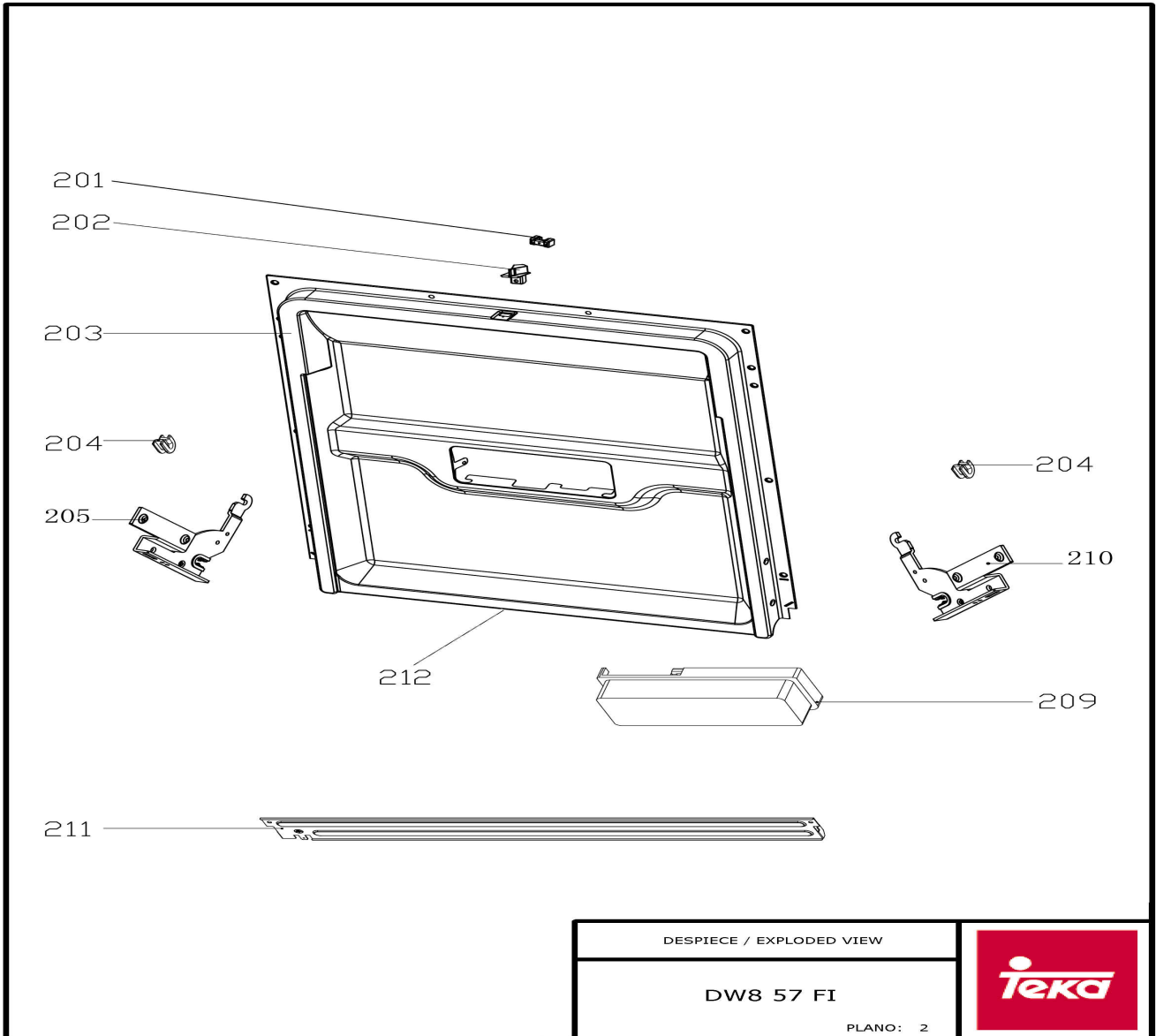
Puerta y panel de mandos / Door & control panel - DW8 57 FI VR01 - 1



Puerta y panel de mandos / Door & control panel - DW8 57 FI VR01 - 1

Position	Code	Description	Quantity
101	81785710	DISPLAY CARD DW8 58 FI	1
102	81785299	OUTER DW8 57 FI	1
103	81785300	OPTIONS LAMP CASING DW8 57 FI	1
104	81785301	DISPLAY SCREEN DW8 57 FI	1
105	81785302	PROGRAM LAMP CASING DW8 57 FI	1
106	81785303	HALF LOAD BUTTON ASSY. DW8 57 FI	1
107	81785306	MODE BUTTON ASSY. DW8 57 FI	1
108	81785307	DELAY BUTTON ASSY. DW8 57 FI	1
109	81785309	PROGRAM BUTTON ASSY. DW8 57 FI	1
110	81785311	POWER BUTTON ASSY. DW8 57 FI	1
111	81785762	CONTROL PANEL DW8 57 FI VR01	1
112	81785763	OUTER DOOR DW8 57 FI VR01	1

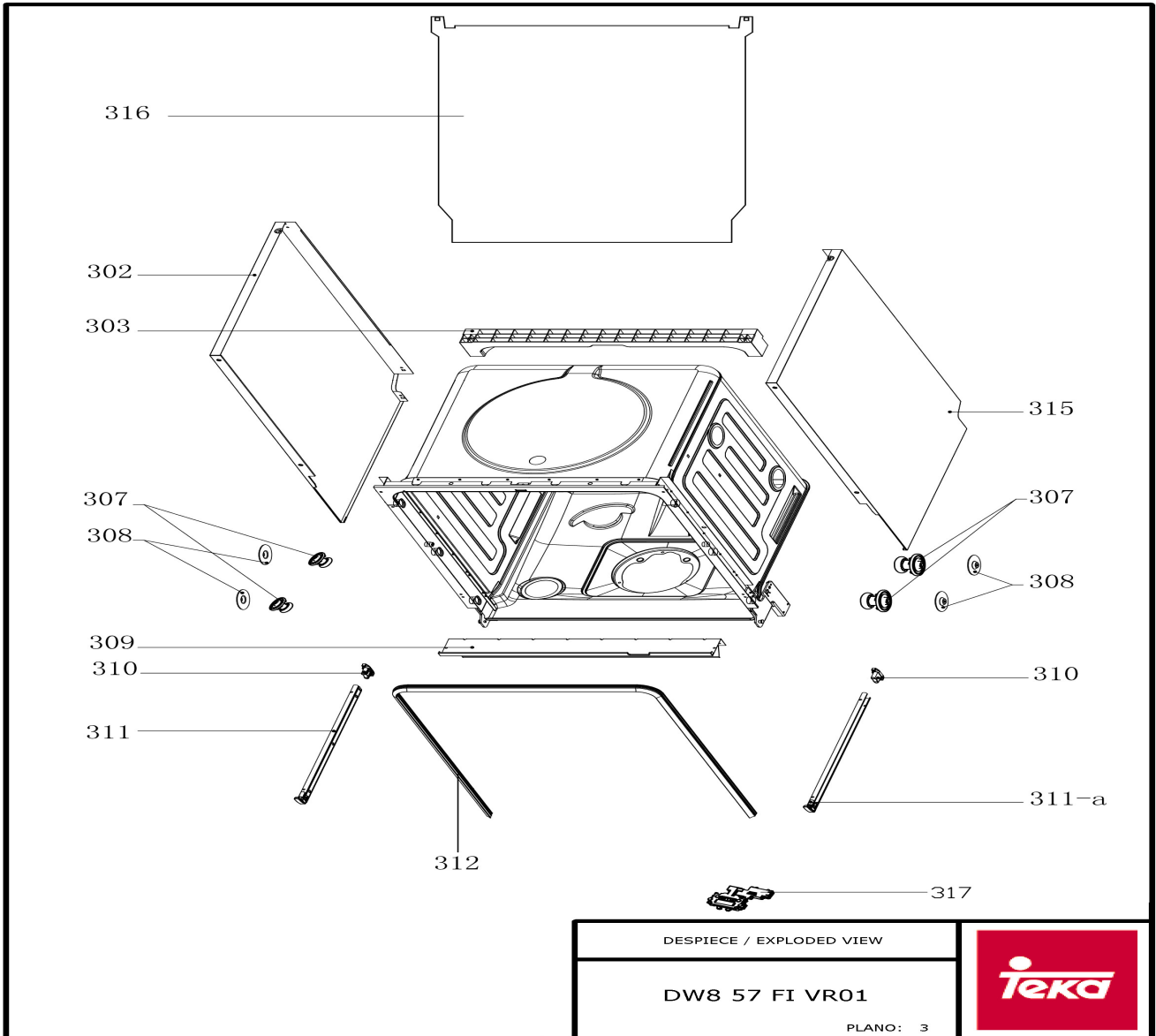
Contrapuerta / Inner door - DW8 57 FI VR01 - 2



Contrapuerta / Inner door - DW8 57 FI VR01 - 2

Position	Code	Description	Quantity
201	81785330	DOOR LOCK COUPLING BLOCK DW8 57 FI	1
202	81785254	DOOR LOCK HOOK DW8 70 FI	1
203	81785331	INNER DOOR DW8 57 FI	1
204	81782770	FRICTION STRIP HOOKING CLAMPING DW7 67 FI	2
205	81782881	LEFT HINGE DW2 602 S	1
209	81785267	DISPENSER DW8 70 FI	1
210	81782882	RIGHT HINGE DW2 602 S	1
211	81785264	HINGE JOINT DW8 70 FI	1
212	81731095	LOWER DOOR GASKET	1
214	81785259	WATER-PROOF POTHOLDER DW8 70 FI	1

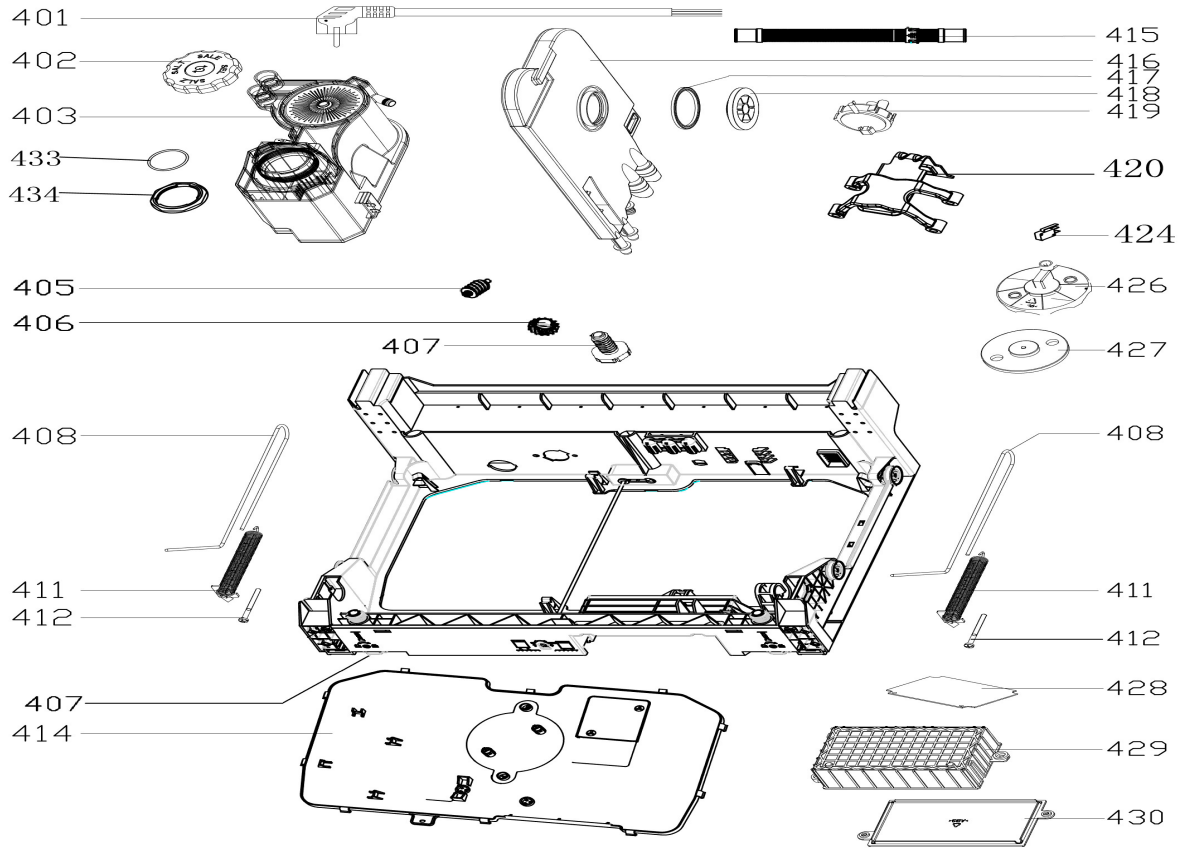
Cuba / Tub - DW8 57 FI VR01 - 3



Cuba / Tub - DW8 57 FI VR01 - 3

Position	Code	Description	Quantity
302	81785748	LEFT SIDE PANEL DW9 70 FI	1
303	81785248	UPPER BACK SUPPORT LP8 820	1
307	81785342	BASKET GUIDER WHEEL ASSY. LP8 820	4
308	81782783	BASKET GUIDER SUPPORTTING DW7 67 FI	4
309	81785328	ANTI-NOISE BOARD DW 605 S VR01	1
310	81785425	UPPER BASKET GUIDER REAR STOPPER LP8 440 VR01	2
311	81782786	UPPER BASKET GUIDER LEFT DW7 67 FI	1
311-a	81782847	UPPER BASKET GUIDER RIGHT DW7 67 FI	1
312	81785685	TANK GASKET LP8 825	1
315	81785749	RIGHT SIDE PANEL DW9 70 FI	1
316	81785752	BACK PANEL DW9 70 FI	1
317	81785283	DOOR LOCK ASSY. DW8 70 FI	1

Componentes interiores / Inner parts - DW8 57 FI VR01 - 4



DESPIECE / EXPLODED VIEW

DW8 57 FI VR01

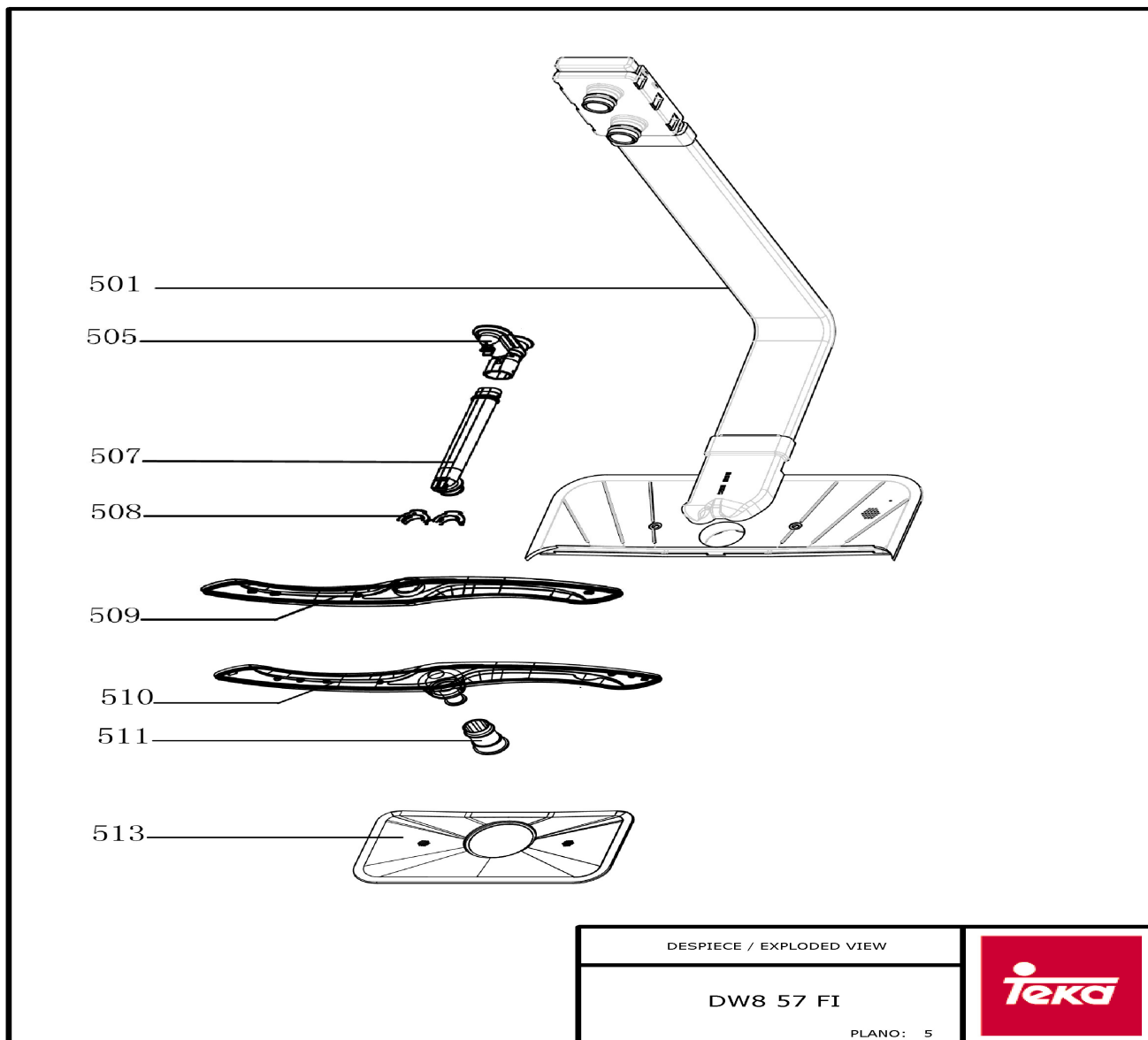
PLANO: 4



Componentes interiores / Inner parts - DW8 57 FI VR01 - 4

Position	Code	Description	Quantity
401	81785753	POWER CORD DW9 70 FI	1
402	81785255	SOFTENER NUT LP8 820	1
403	81785356	SOFTENER ASSY. DW8 41 FI	1
405	81785380	REAR FOOT WORM DW8 70 FI	1
406	81785381	REAR FOOT BEVEL WHEEL DW8 70 FI	1
407	81785382	FRONT AND REAR FOOT DW8 70 FI	3
408	81785332	DIGGING ROPE DW 605 S VR01	2
411	81785344	DOOR SPRING DW1 605 FI VR01	2
412	81782800	ADJUST SCREW DOOR SPRING DW7 67 FI	2
414	81785606	BASE COVER DW 605 S VR03	1
415	81782811	DRAIN PIPE DW7 67 FI	1
416	81782995	AIR BREAKER LP8 840 INOX	1
417	81785265	AIR BREAKER GASKET LP8 820	1
418	81785516	AIR BREAKER NUT. LP8 400 B	1
419	81785715	PRESSURE SWITCH LP8 818	1
420	81785403	MOTOR HOLDER LP8 820 VR01	1
424	81782809	OVERFLOW SWITCH DW7 67 FI	1
426	81785337	OVERFLOW SWITCH SEAT DW 605 S VR01	1
427	81782807	FLOAT DW7 67 FI	1
428	81785712	PCB DW8 58 FI	1
429	81785614	MAIN PCB BOX DW8 70 FI VR01	1
430	81785615	MAIN PCB BOX COVER DW8 70 FI VR01	1
433	81785448	SOFTENER GASKET LP8 840 VR02	1
434	81782812	SOFTENER NUT DW7 67 FI	1

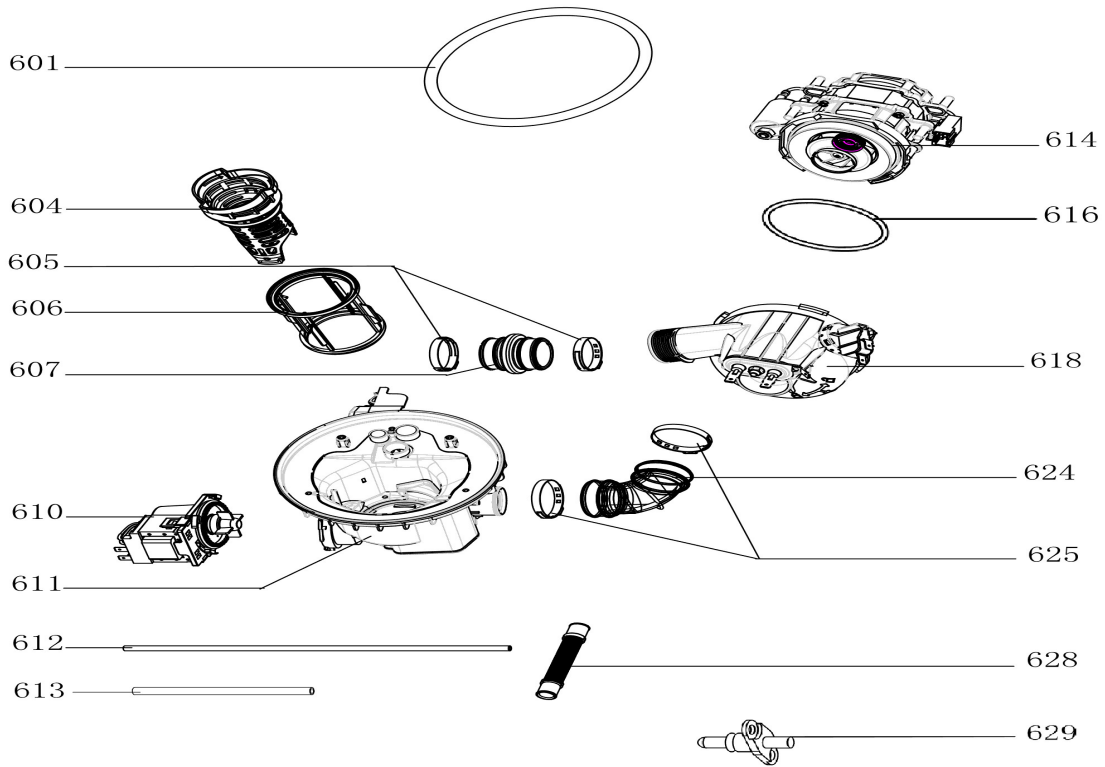
Aspersores / Sprayers - DW8 57 FI VR01 - 5



Aspersores / Sprayers - DW8 57 FI VR01 - 5

Position	Code	Description	Quantity
501	81785278	LOWER INNER PIPE LP8 820	1
505	81785282	LOWER SPRAYER LP8 820	1
507	81785279	MIDDLE SPRAYER PIPE LP8 820	1
508	81785280	UPPER SPRAYER CLAMPING RING LP8 820	1
509	81785444	MIDDLE SPRAYER ASSEMBLY LP8 850 VR03	1
510	81785282	LOWER SPRAYER LP8 820	1
511	81782819	LOWER SPRAYER SEAT DW7 67 FI	1
513	81785137	MAIN FILTER LPM 859 INOX	1

Bloque y bomba / Sump & pump - DW8 57 FI VR01 - 6



DESPIECE / EXPLODED VIEW

DW8 57 FI

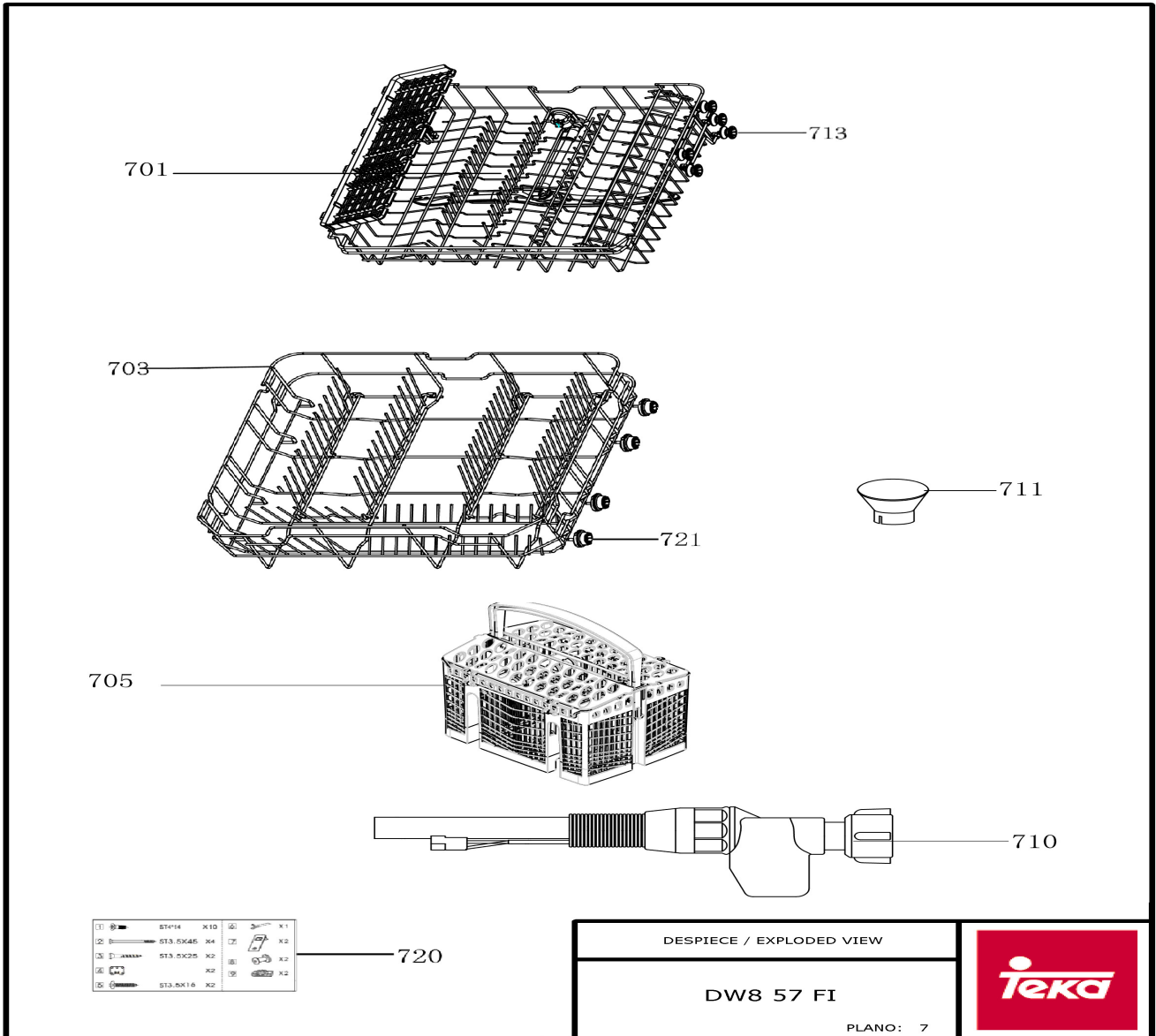
PLANO: 6



Bloque y bomba / Sump & pump - DW8 57 FI VR01 - 6

Position	Code	Description	Quantity
601	81785449	SUMP GASKET LP8 840 VR02	1
604	81785670	FILTER HANDLE LP9 440	1
605	81785649	TUBE CLAMP LP8 840 VR03	2
606	81782829	CYLINDR FILTER DW7 67 FI	1
607	81785287	WASHING PUMP OUTLET HOSE LP8 820	1
610	81785290	DRAINAGE PUMP LP8 820	1
611	81785450	SUMP ASSY. LP8 840 VR02	1
612	81785292	PVC PIPE LP8 820	1
613	81785603	SOFTENER OUTLET PIPE LPM 819	1
614	81785716	INDUCTION PUMP LP8 818	1
616	81785628	WASHING PUMP GASKET LP8 820	1
618	81785298	HEATING ELEMENT LP8 820	1
624	81785305	WASHING PUMP INLET HOSE LP8 820	1
625	81785304	460 CLAMPING LP8 820	2
628	81785308	INNER DRAIN PIPE LP8 820	1
629	81785717	TEMPERATURE SENSOR LP8 818	1

Cestos y accesorios / Baskets & accessories - DW8 57 FI VR01 - 7



Cestos y accesorios / Baskets & accesories - DW8 57 FI VR01 - 7

Position	Code	Description	Quantity
701	81785404	UPPER BASKET LP8 820 VR01	1
703	81785420	LOWER BASKET DW 605 S VR02	1
703-a	81785377	LEFT LOWER BASKET FLAP CLOSING DW 605 S	2
703-b	81785608	RIGHT LOWER BASKET FLAP CLOSING DW 605 S	2
703-c	81785609	FLAP CLOSING FIXING LP8 820	2
705	81785340	CUTLERY BASKET DW8 57 FI	1
710	81785418	INLET HOSE + AQUATOP DW 455 S VR01	1
711	81782845	SALT FILLER DW7 67 FI	1
713	81785212	UPPER BASKET WHEEL (2014 PLATFORM)	10
720	81785207	WOOD DOOR FIX. ASB. DW7 67 FI	1
721	81785213	LOWER BASKET WHEEL (2014 PLATFORM)	8

Esquema eléctrico / Wiring diagram - DW8 57 FI VR01 - Esq

